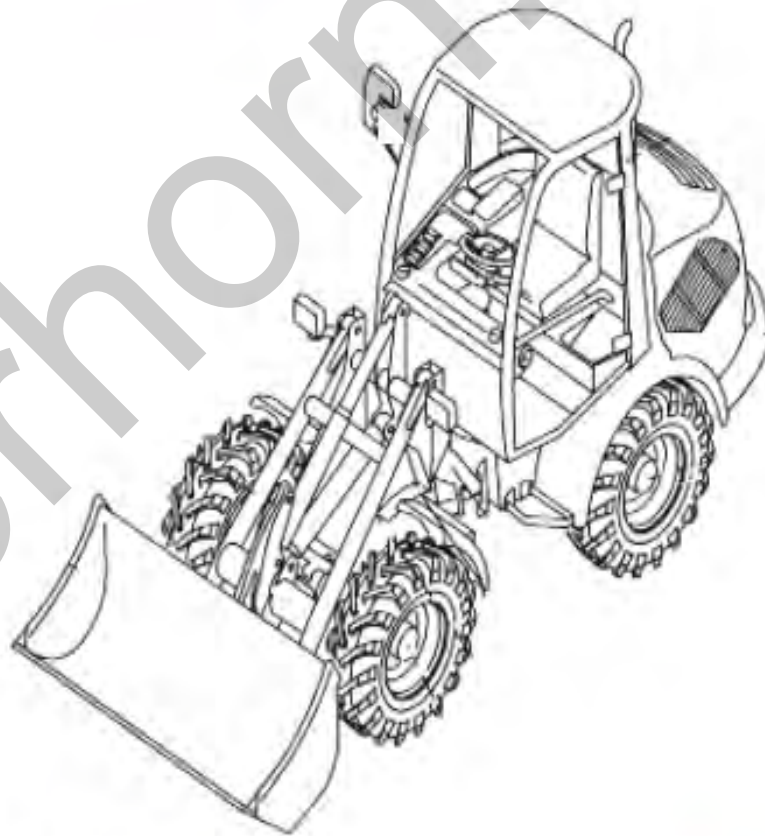


PARTS MANUAL

TW80

Serial No. E107240~

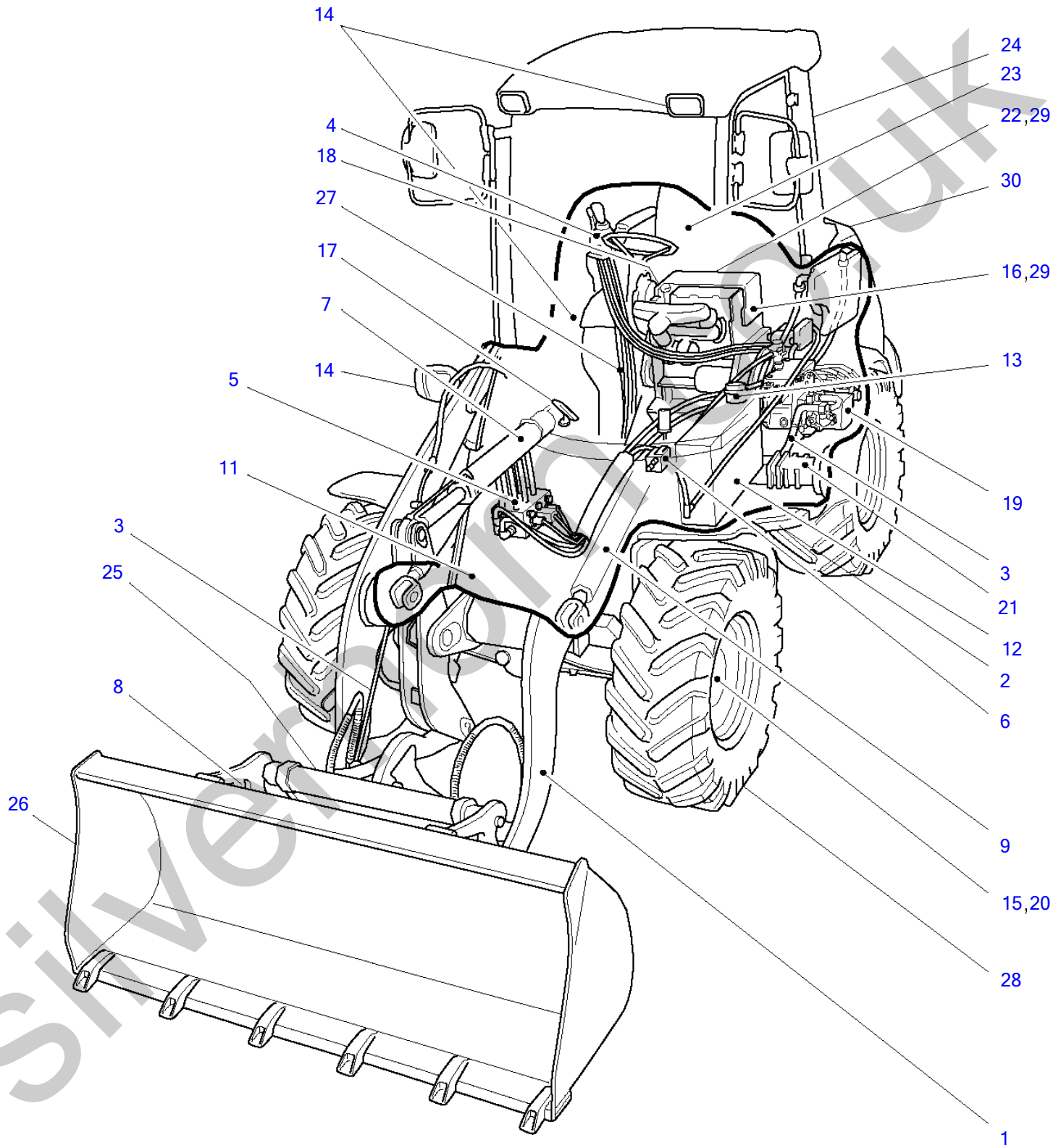
Book No. 8020870



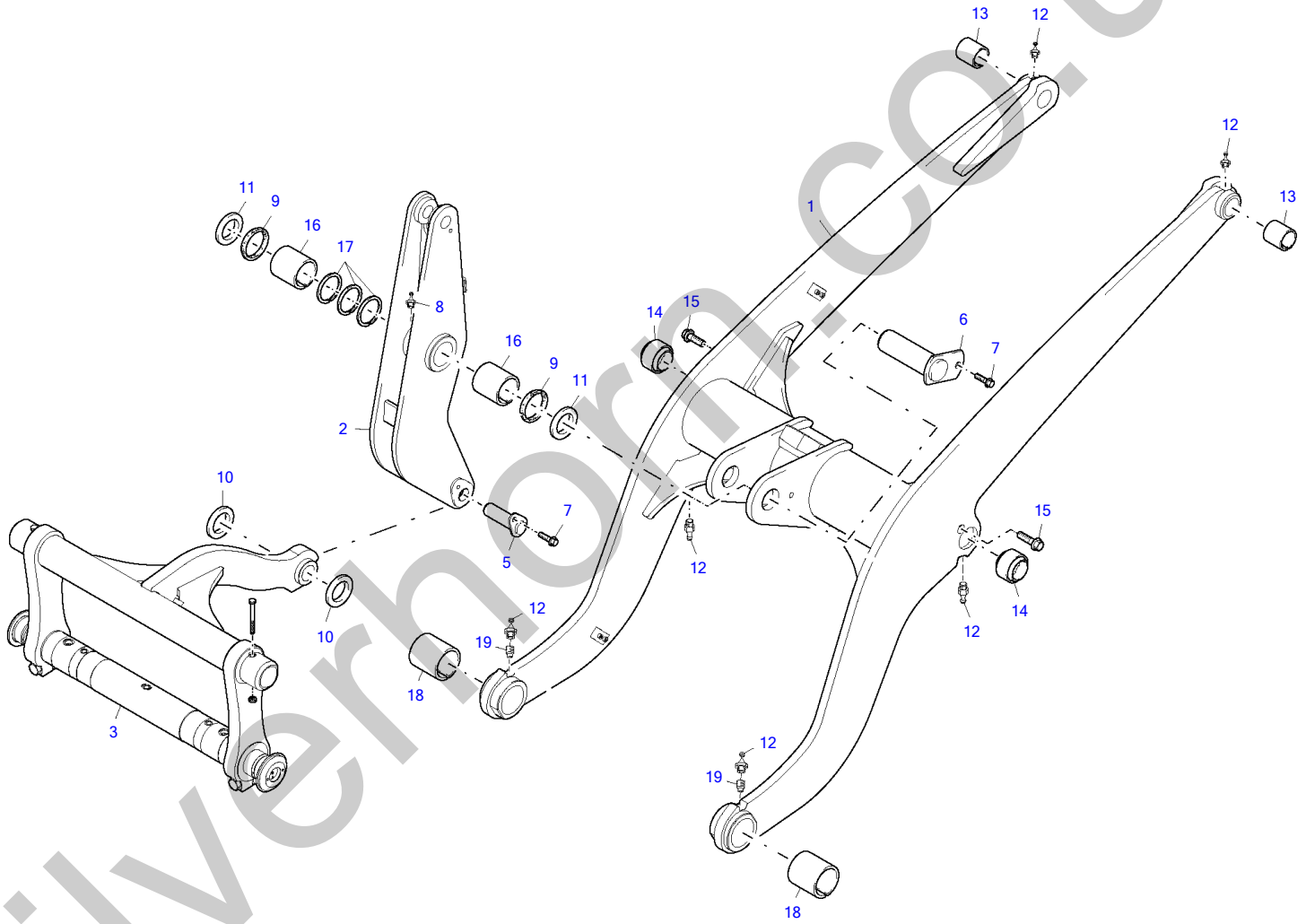
WHEEL LOADER

TAKEUCHI

Index



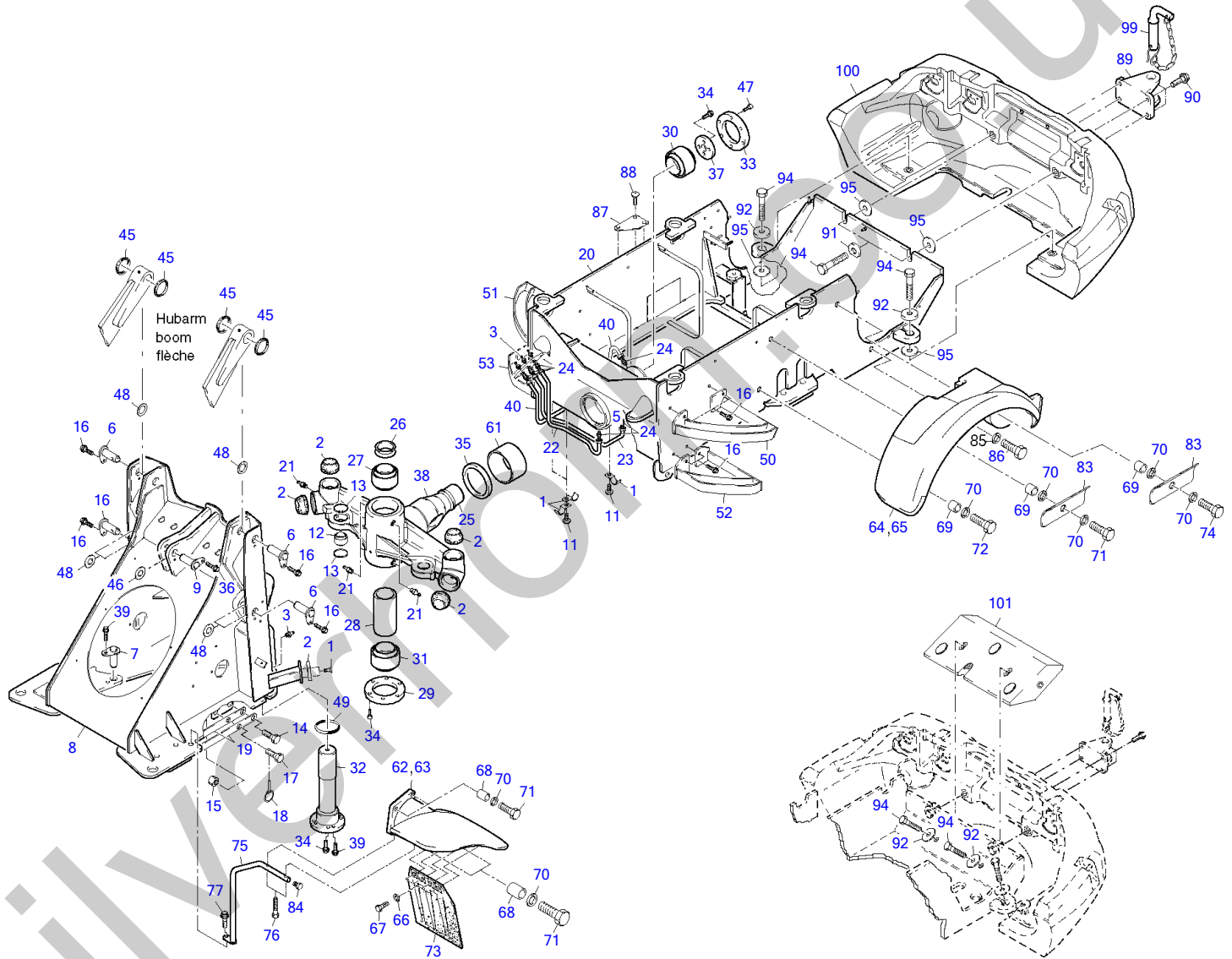
| Item | Part number | Description | main | Q'ty | Chan. | Serial No. | Serv. | Remarks |
|------|-------------|-------------------------------|------|------|-------|------------|-------|---------|
| 1 | 8006820 | Lifting System | | | | | | |
| 2 | 8006801 | Base | | | | | | |
| 3 | 8006825 | Steering Hydraulics | | | | | | |
| | 8007006 | Working Hydraulics | | | | | | |
| | 8010081 | Return Hydraulics | | | | | | |
| | 8017517 | Driving Hydraulics | | | | | | |
| | 8018585 | Hydraulic Lift System | | | | | | |
| | 8016623 | Hydraulic Quick Release | | | | | | |
| 4 | 8018579 | Servo Control Compl | | | | | | |
| | 8007923 | Server Contr Bracket | | | | | | |
| | 8011331 | Valve Compl | | | | | | |
| 5 | 8018506 | Directional Valve | | | | | | |
| 6 | 8005560 | Brake Throllte Valve | | | | | | |
| 7 | 8018297 | Working Cylinder | | | | | | |
| 9 | 8018295 | Lifting Cylinder | | | | | | |
| 11 | 3931751 | Steering Cylinder | | | | | | |
| 12 | 8006825 | Hydraulic Tank Compl | | | | | | |
| 13 | 8009636 | Return Filter Compl | | | | | | |
| 14 | 8008690 | Electric System | | | | | | |
| | 8008388 | Electric System (Cabin) | | | | | | |
| | 8008597 | Printed Circuit Compl | | | | | | |
| | 8009633 | Working Headlights Compl | | | | | | |
| 15 | 8018547 | Drive Set | | | | | | |
| 16 | 8006826 | Diesel Engine Compl | | | | | | |
| | 8008274 | Exhaust System | | | | | | |
| 17 | 8005490 | Inching Actuator | | | | | | |
| 18 | 3944347 | Air Filter System | | | | | | |
| 19 | 8017516 | Oil Pressure Pump Compl | | | | | | |
| | 8016961 | Oil Pressure Pump 12V | | | | | | |
| | 8016961 | Oil Pressure Pump 12V sec 2 | | | | | | |
| | 8016962 | Oil Motor 12V | | | | | | |
| 20 | 8006764 | Front Axle | | | | | | |
| | 8009258 | Axle Pipe | | | | | | |
| 21 | 8006765 | Rear Axle | | | | | | |
| | 8009546 | Axle Pipe | | | | | | |
| | 8000892 | Brake Disk | | | | | | |
| | 2902754 | Rear Axle Multiple Disk Brake | | | | | | |
| 22 | 8008536 | Fuel Supply System | | | | | | |
| 23 | 8008016 | Driver's Seat | | | | | | |
| | 8008626 | Seat Lower Part Compl | | | | | | |
| 24 | 8003354 | Cabin | | | | | | |
| | 8003297 | Cabin Door Left | | | | | | |
| | 8003340 | Lining | | | | | | |
| | 8004889 | Wiper System | | | | | | |
| | 3930421 | Steering Column Compl | | | | | | |
| 25 | 8007008 | Hyd Quick Release Eq | | | | | | |
| 26 | 3705791 | Pallet Fork Compl | | | | | | |
| 27 | 8003053 | Engine Heating | | | | | | |
| 28 | 8016611 | Decals and Accessories | | | | | | |
| | 8016645 | Protective Hoses | | | | | | |
| 30 | 8006828 | Covering | | | | | | |
| | 8016810 | Engine Hood Compl | | | | | | |
| | 8008759 | Exterior Covering | | | | | | |
| 99 | 8018988 | Maintenance Filter Kits | | | | | | |



| Item | Part number | Description | Lifting System | | | Remarks |
|------|----------------|-------------------------|----------------|-------|------------|---------|
| | | | Q'ty | Chan. | Serial No. | |
| | 8006820 | Lifting System | | | | |
| 1 | 8006381 | Boom Compl | 1 | | | |
| 2 | 8007002 | Shift Lever Compl | 1 | | | |
| 3 | 8007008 | Hyd Quick Release Eq | 1 | | | |
| 5 | 2911255 | Pin Compl | 1 | | | |
| 6 | 3933753 | Pin Compl | 1 | | | |
| 7 | 1782905 | Serrated Hex Head Screw | 1 | | | |
| 8 | 0300569 | Grease Nipple | 1 | | | |
| 9 | 0809472 | Wiper Seal | 2 | | | |
| 10 | 8004668 | Disk 1.0 MM | 1 | | | |
| | 8004669 | Disk 1.2 MM | 1 | | | |
| | 8004670 | Disk 1.5 MM | 1 | | | |
| | 8004671 | Disk 2.0 MM | 1 | | | |
| 11 | 2909079 | Disk 1.0 MM | 1 | | | |
| | 2909091 | Disk 1.2 MM | 1 | | | |
| | 2909104 | Disk 1.5 MM | 1 | | | |
| | 2909080 | Disk 2.0 MM | 1 | | | |
| 12 | 0324590 | Grease Nipple | 6 | | | |
| 13 | 8004387 | Split Bush | 2 | | | |
| 14 | 2915806 | Spherical Bearing | 2 | | | |
| 15 | 2916794 | Self-Locking Bolt | 2 | | | |
| 16 | 0306689 | Split Bush | 2 | | | |
| 17 | 2961437 | Circlip | 3 | | | |
| 18 | 8004389 | Split Bush | 2 | | | |
| 19 | 2985537 | Threaded Pin | 2 | | | |

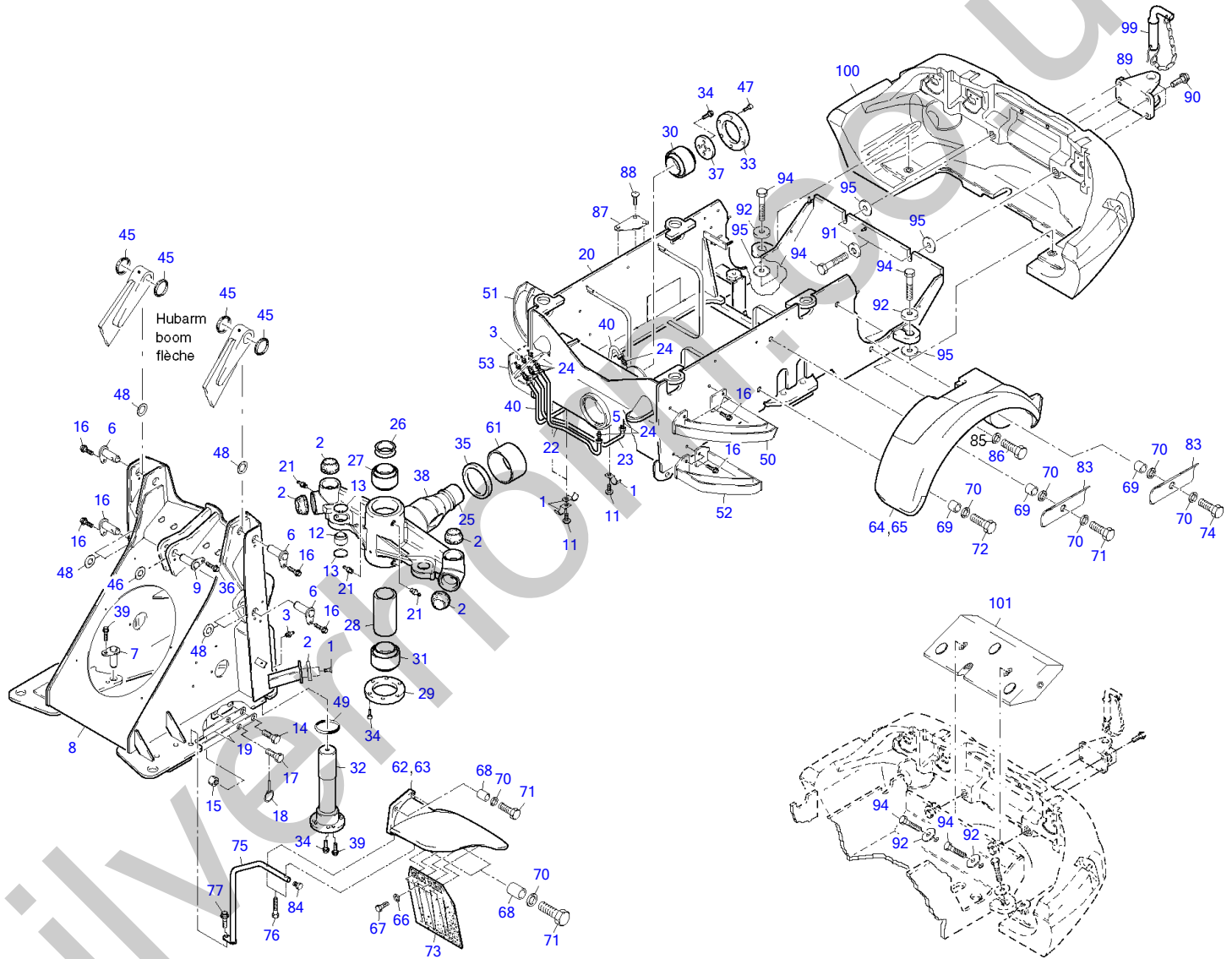
Silverhorn.CO.UK

Base



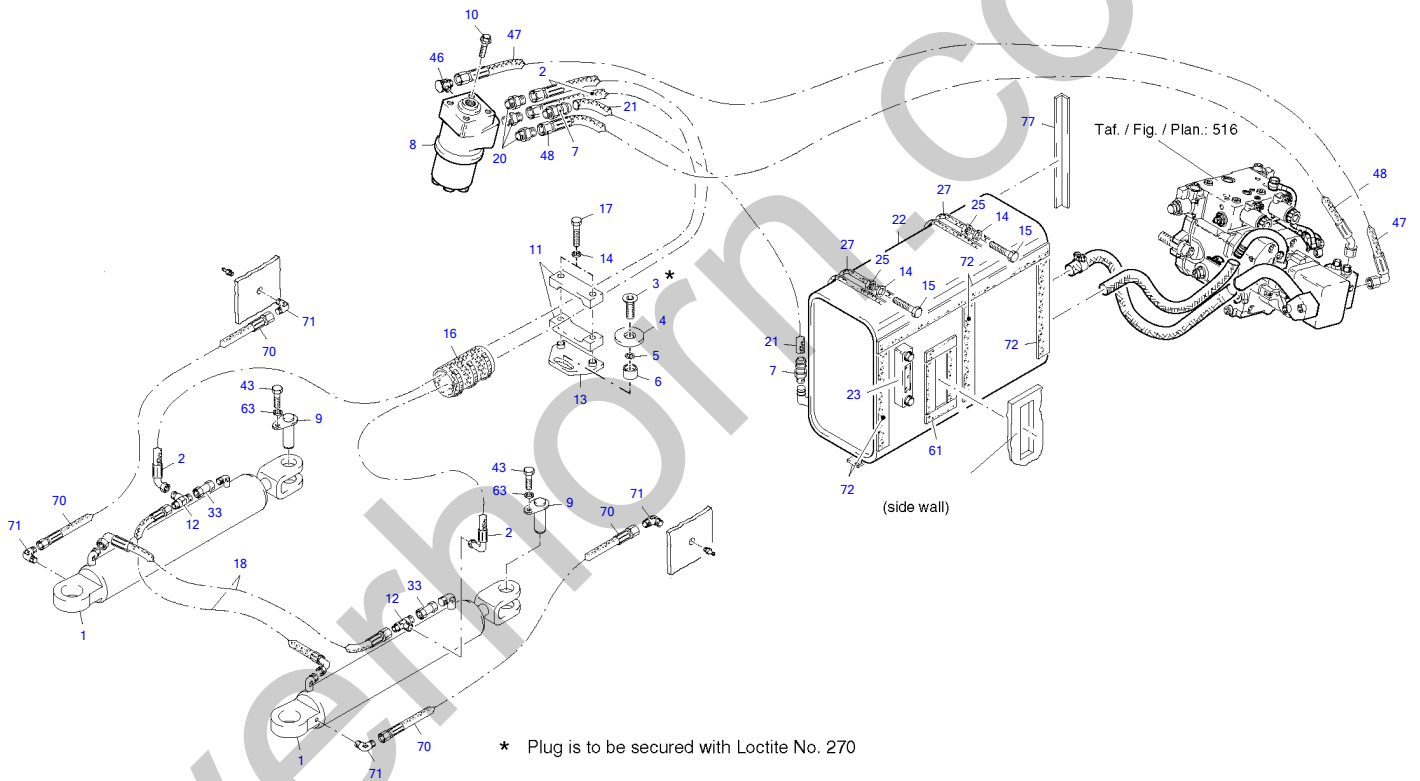
| Item | Part number | Description | Base Qty | Chan. | Serial No. | Serv. | Remarks |
|------|----------------|-------------------------|----------|-------|------------|-------|---------|
| | 8006801 | Base | 1 | | | | |
| 1 | 1025249 | Clamp | 4 | | | | |
| 2 | 3928869 | Stop Buffer | 4 | | | | |
| 3 | 0324590 | Grease Nipple | 1 | | | | |
| 6 | 3740921 | Pin Compl | 4 | | | | |
| 7 | 3945177 | Pin Compl | 2 | | | | |
| 8 | 8019914 | Frame Front | 1 | | | | |
| 9 | 3933720 | Pin Compl | 1 | | | | |
| 11 | 1039369 | Oval Head Screw | 3 | | | | |
| 12 | 0447032 | Spherical Bearing | 2 | | | | |
| 13 | 0318069 | Circlip Tone 400 | 4 | | | | |
| 14 | 1308876 | Hex Head Screw A3C | 1 | | | | |
| 15 | 0327322 | Nut A3C | 1 | | | | |
| 16 | 1783337 | Serrated Hex Head Screw | 12 | | | | |
| 17 | 1014053 | Special Screw | 1 | | | | |
| 18 | 1011163 | Split Pin | 1 | | | | |
| 19 | 8004060 | Safety Rod | 2 | | | | |
| 20 | 8019917 | Frame Rear | 1 | | | | |
| 21 | 0300569 | Grease Nipple | 6 | | | | |
| 22 | 3927960 | Conduit | 1 | | | | |
| 23 | 3927971 | Conduit | 1 | | | | |
| 24 | 2658564 | Screw Connection A3C | 6 | | | | |
| 25 | 8006549 | Artic Pend Joint | 1 | | | | |
| 26 | 0884177 | V-Ring | 1 | | | | |
| 27 | 2919399 | Spherical Bearing | 1 | | | | |
| 28 | 2452566 | Spacer | 1 | | | | |
| 29 | 2452577 | Disk | 2 | | | | |
| 30 | 2908614 | Spherical Bearing | 1 | | | | |
| 31 | 2478168 | Spherical Bearing | 1 | | | | |
| 32 | 3931068 | Pin | 1 | | | | |
| 33 | 1009716 | Disk | 1 | | | | |
| 34 | 0884166 | Self-Locking Bolt | 18 | | | | |
| 35 | 1009705 | Distance Ring | 1 | | | | |
| 36 | 1782905 | Serrated Hex Head Screw | 1 | | | | |
| 37 | 1009727 | Disk | 1 | | | | |
| 38 | 8006800 | Artic Pend Joint Comp | 1 | | | | |
| 39 | 3762610 | Self-Locking Bolt | 8 | | | | |
| 40 | 3954065 | Conduit | 1 | | | | |
| 45 | 8002032 | Wiper Seal | 4 | | | | |
| 46 | 8004668 | Disk 1.0 MM | 1 | | | | |
| | 8004669 | Disk 1.2 MM | 1 | | | | |
| | 8004670 | Disk 1.5 MM | 1 | | | | |
| | 8004671 | Disk 2.0 MM | 1 | | | | |
| 47 | 0336185 | Self-Locking Bolt | 6 | | | | |
| 48 | 8003214 | Disk 1.0 MM | 1 | | | | |
| | 8003215 | Disk 1.2 MM | 1 | | | | |
| | 8003216 | Disk 1.5 MM | 1 | | | | |
| | 8003217 | Disk 2.0 MM | 1 | | | | |
| 49 | 2916363 | O-Ring | 1 | | | | |
| 50 | 8005065 | Left Climb Bracket | 1 | | | | |
| 51 | 8005067 | Right Climb Bracket | 1 | | | | |
| 52 | 3953893 | Left Climb Bracket | 1 | | | | |
| 53 | 3953906 | Right Climb Bracket | 1 | | | | |
| 61 | 2444293 | Bush | 1 | | | | |
| 62 | 3927620 | Left Front Fender | 1 | | | | |
| 63 | 3927631 | Right Front Fender | 1 | | | | |
| 64 | 3927642 | Left Rear Fender | 1 | | | | |
| 65 | 3927653 | Right Rear Fender | 1 | | | | |
| 66 | 0447985 | Washer A3C | 8 | | | | |
| 67 | 8016036 | Hex Head Screw A3C | 8 | | | | |
| 68 | 3930772 | Spacer | 8 | | | | |
| 69 | 3930783 | Spacer | 8 | | | | |
| 70 | 1620160 | Washer A3C | 8 | | | | |
| 71 | 3930943 | Hex Head Screw A3C | 10 | | | | |
| 72 | 3930954 | Hex Head Screw A3C | 2 | | | | |
| 73 | 3955317 | Mud Flap Ripp | 2 | | | | |
| 74 | 8009218 | Hex Head Screw A3C | 2 | | | | |
| 75 | 3934298 | Holder | 2 | | | | |

Base



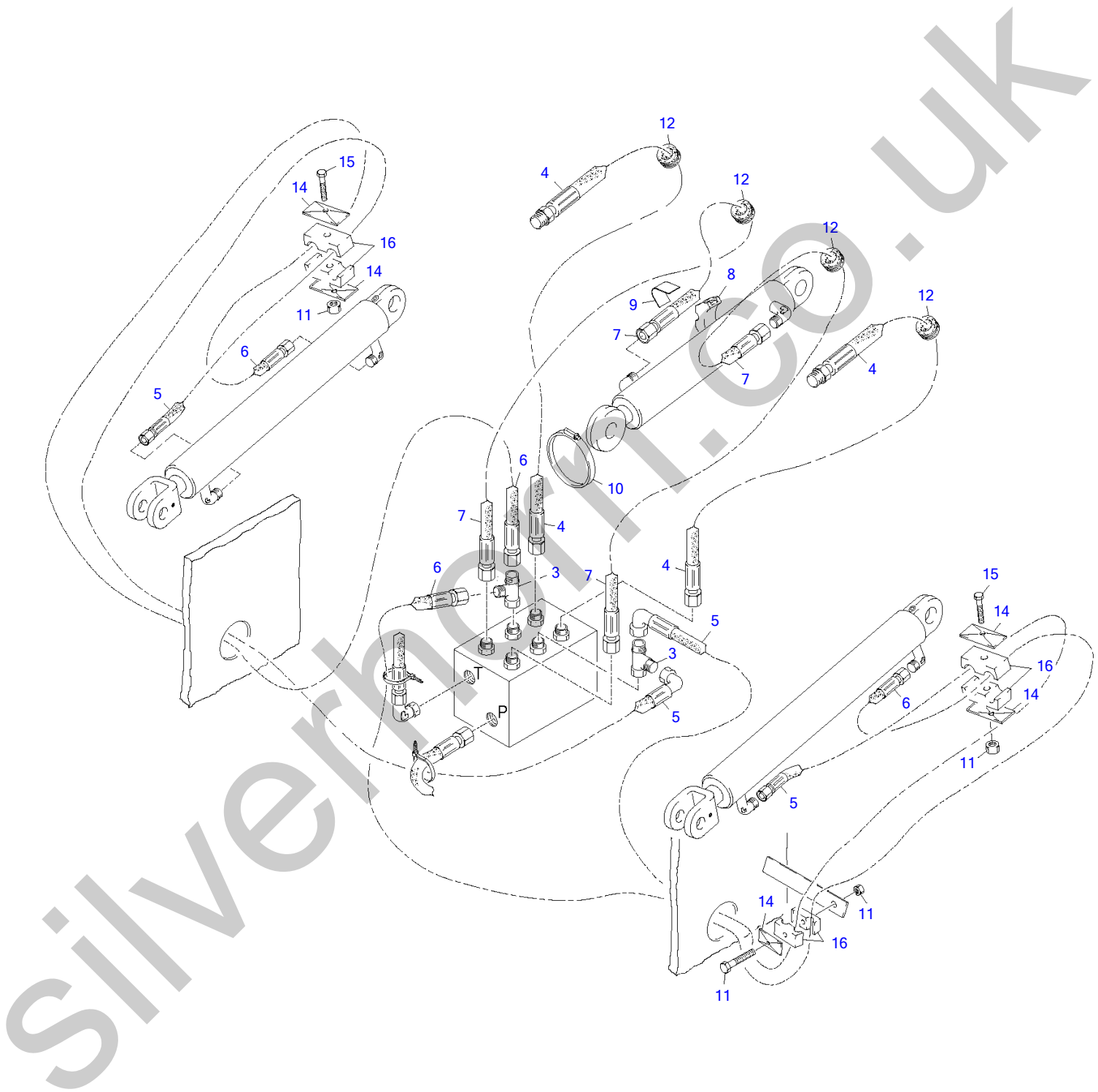
| Item | Part number | Description | Base Q'ty | Chan. | Serial No. | Serv. | Remarks |
|------|----------------|-------------------------|--------------|-------|------------|-------|---------|
| 76 | 3934390 | Bolt A3B | 4 | | | | |
| 77 | 2916794 | Self-Locking Bolt | 2 | | | | |
| 83 | 3936450 | Cover Plate | 4 | | | | |
| 84 | 3938805 | Holder | 2 | | | | |
| 85 | 1356294 | Washer A3C | 2 | | | | |
| 86 | 1398589 | Hex Head Screw A3C | 2 | | | | |
| 87 | 8008792 | Plate | 1 | | | | |
| 88 | 3934378 | Lens Head Screw A3R | 3 | | | | |
| 89 | 3944949 | Coupling Device | 1 | | | | |
| 90 | 2993151 | Serrated Hex Head Screw | 4 | | | | |
| 91 | 1005438 | Washer A3C | 2 | | | | |
| 92 | 1781813 | Washer A3C | 2 | | | | |
| | 1781813 | Washer A3C | 4 | | | | |
| 94 | 1618393 | Hex Head Screw A3C | 4 | | | | |
| | 1618393 | Hex Head Screw A3C | 6 | | | | |
| 95 | 1781802 | Washer A3C 4.0 MM | 4 | | | | |
| | 3930885 | Washer A3C 2.0 MM | 1 | | | | |
| | 3930896 | Washer A3C 3.0 MM | 1 | | | | |
| | 3930909 | Washer A3C 5.0 MM | 1 | | | | |
| 99 | 3944574 | Linchpin | 1 | | | | |
| 100 | 8016070 | Counter Weight | 1 | | | | |
| 101 | 8016071 | Counter Weight | 1 | | | | |

Silverhorn.CO.UK



Steering Hydraulics

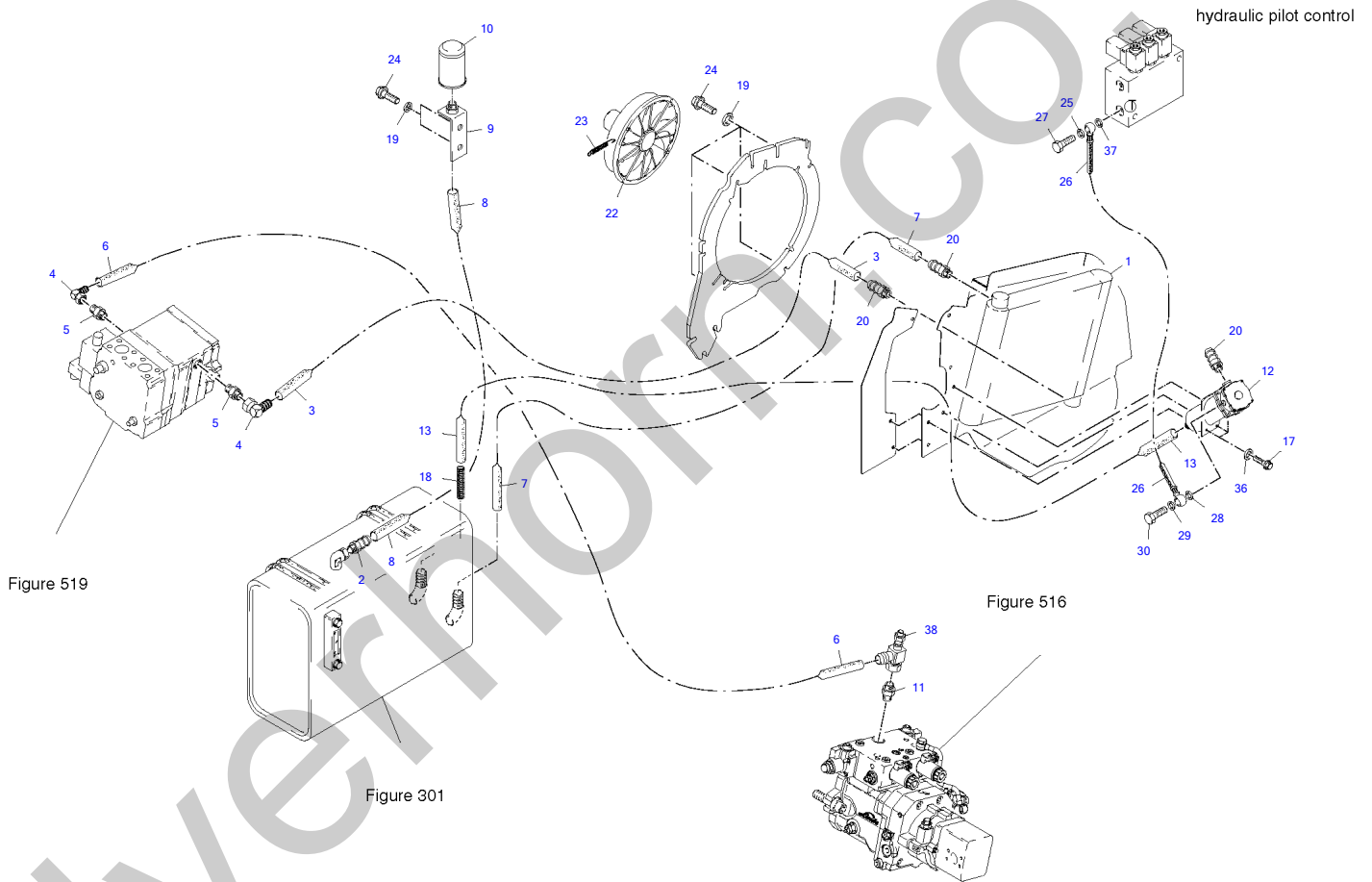
| Item | Part number | Description | Q'ty | Chan. | Serial No. | Serv. | Remarks |
|------|----------------|-------------------------|------|-------|------------|-------|---------|
| | 8006825 | Steering Hydraulics | | | | | |
| 1 | 3931751 | Steering Ram | 2 | | | | |
| 2 | 3947680 | HP-Hose 13 x 1550 | 2 | | | | |
| 3 | 1002184 | Countersunk Screw | 1 | | | | |
| 4 | 1745591 | Washer | 1 | | | | |
| 5 | 1388656 | Spring Washer A3C | 1 | | | | |
| 6 | 0323624 | Split Bush | 1 | | | | |
| 7 | 8006878 | Coupling A3C | 2 | | | | |
| 8 | 8008873 | Steering Valve | 1 | | | | |
| 9 | 3945177 | Pin Compl | 2 | | | | |
| 10 | 2990216 | Self-Locking Bolt | 4 | | | | |
| 11 | 3760607 | Block | 2 | | | | |
| 12 | 2904789 | Coupling A3C | 2 | | | | |
| 13 | 2908147 | Console Compl | 1 | | | | |
| 14 | 2481254 | Ripp Washer A3C | 2 | | | | |
| 15 | 0410073 | Hex Head Screw A3C | 2 | | | | |
| 16 | 3937075 | Rubber Mat | 1 | | | | |
| 17 | 0893418 | Hex Head Screw A3C | 2 | | | | |
| 18 | 3742956 | HP-Hose 10 X 500 | 2 | | | | |
| 20 | 2481696 | Coupling A3C | 3 | | | | |
| 21 | 8006759 | LP-Hose 700 MM | 1 | | | | |
| 22 | 8009294 | Hydraulic Tank Compl | 1 | | | | |
| 23 | 3925322 | Sight Glass | 1 | | | | |
| 25 | 0399760 | Nut A3C | 2 | | | | |
| 27 | 0909224 | Profile Rubber 680 MM | 1 | | | | |
| 33 | 3742978 | Double Nipple | 2 | | | | |
| 34 | 3925300 | Suction Hose 38 x 525 | 1 | | | | |
| 35 | 3737879 | Clip | 2 | | | | |
| 36 | 1896571 | LP-Hose 480 MM | 1 | | | | |
| 37 | 8008624 | Compression Spring Cord | 1 | | | | |
| 43 | 1307104 | Hex Head Screw A3C | 2 | | | | |
| 46 | 2456833 | Coupling A3C | 1 | | | | |
| 47 | 3750412 | HP-Hose 8 X 220 | 1 | | | | |
| 48 | 3951175 | HP-Hose 13 X 2000 | 1 | | | | |
| 61 | 0909304 | Profile Rubber 600 MM | 1 | | | | |
| 63 | 2481243 | Ripp Washer A3C | 2 | | | | |
| 70 | 3747519 | Hose Line 4 X 500 | 2 | | | | |
| 71 | 1661841 | Coupling A3C | 4 | | | | |
| 72 | 0909304 | Profile Rubber 2900 MM | 1 | | | | |
| 77 | 0935113 | Profile Rubber 300 MM | 1 | | | | |



Working Hydraulics

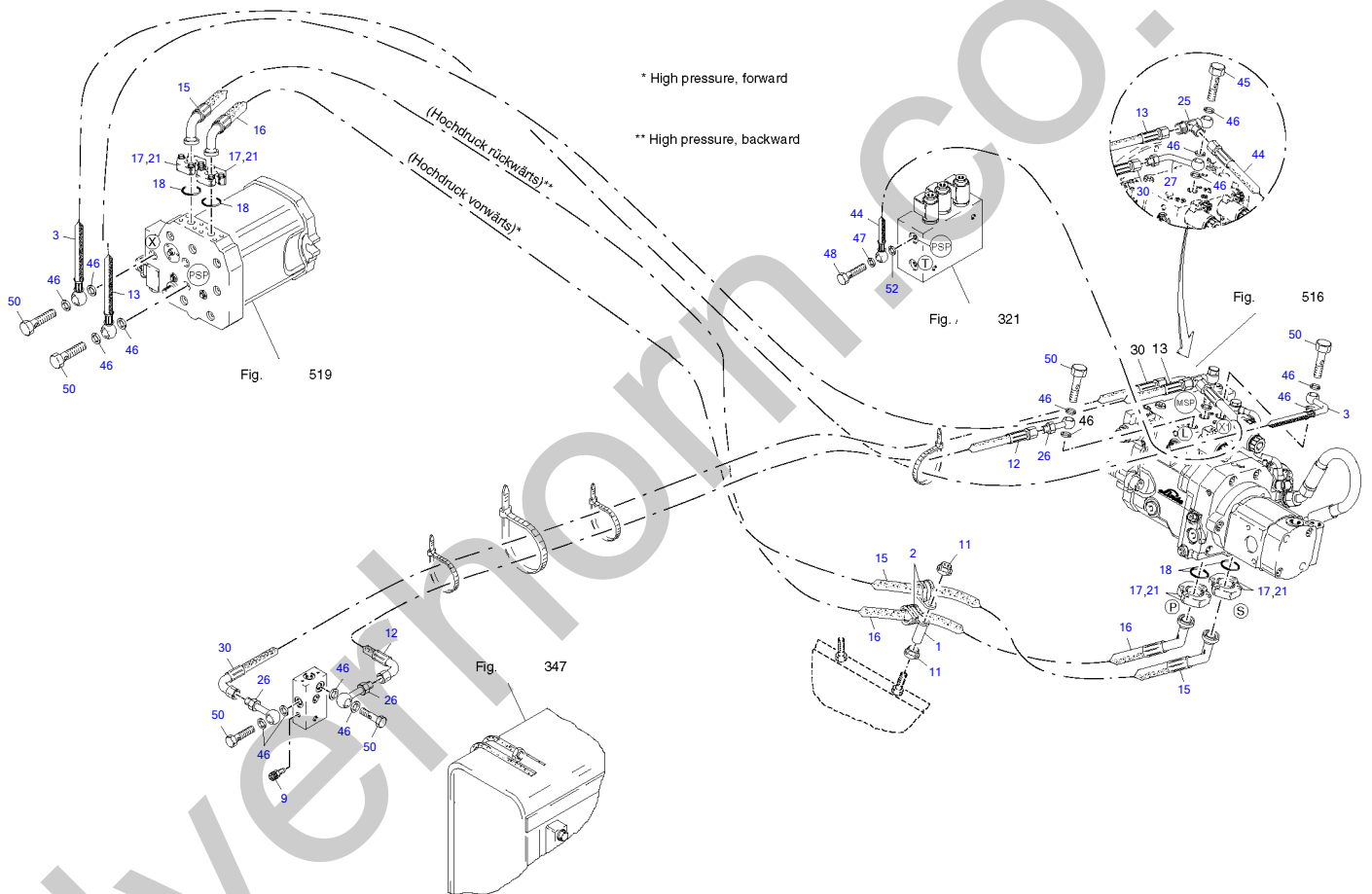
| Item | Part number | Description | Q'ty | Chan. | Serial No. | Serv. | Remarks |
|------|----------------|--------------------|------|-------|------------|-------|---------|
| | 8007006 | Working Hydraulics | | | | | |
| 3 | 3761379 | Coupling A3C | 2 | | | | |
| 4 | 8008471 | HP-Hose 13 X 1600 | 2 | | | | |
| 5 | 3762541 | HP-Hose 10 X 1750 | 2 | | | | |
| 6 | 2912052 | HP-Hose 10 X 1550 | 2 | | | | |
| 7 | 3947679 | HP-Hose 13 X 1600 | 2 | | | | |
| 8 | 3924730 | Clip | 1 | | | | |
| 9 | 8004184 | Clamp Strap | 1 | | | | |
| 10 | 1373604 | Clip | 1 | | | | |
| 11 | 0399760 | Hex Nut A3C | 4 | | | | |
| 12 | 3763484 | Rubber Socket | 4 | | | | |
| 14 | 0874960 | Cover Plate | 6 | | | | |
| 15 | 1336869 | Hex Head Screw A3C | 4 | | | | |
| | 2912085 | 2-Piece Clip Body | 4 | | | | |

Silverhorn.CO.UK



Return Hydraulics

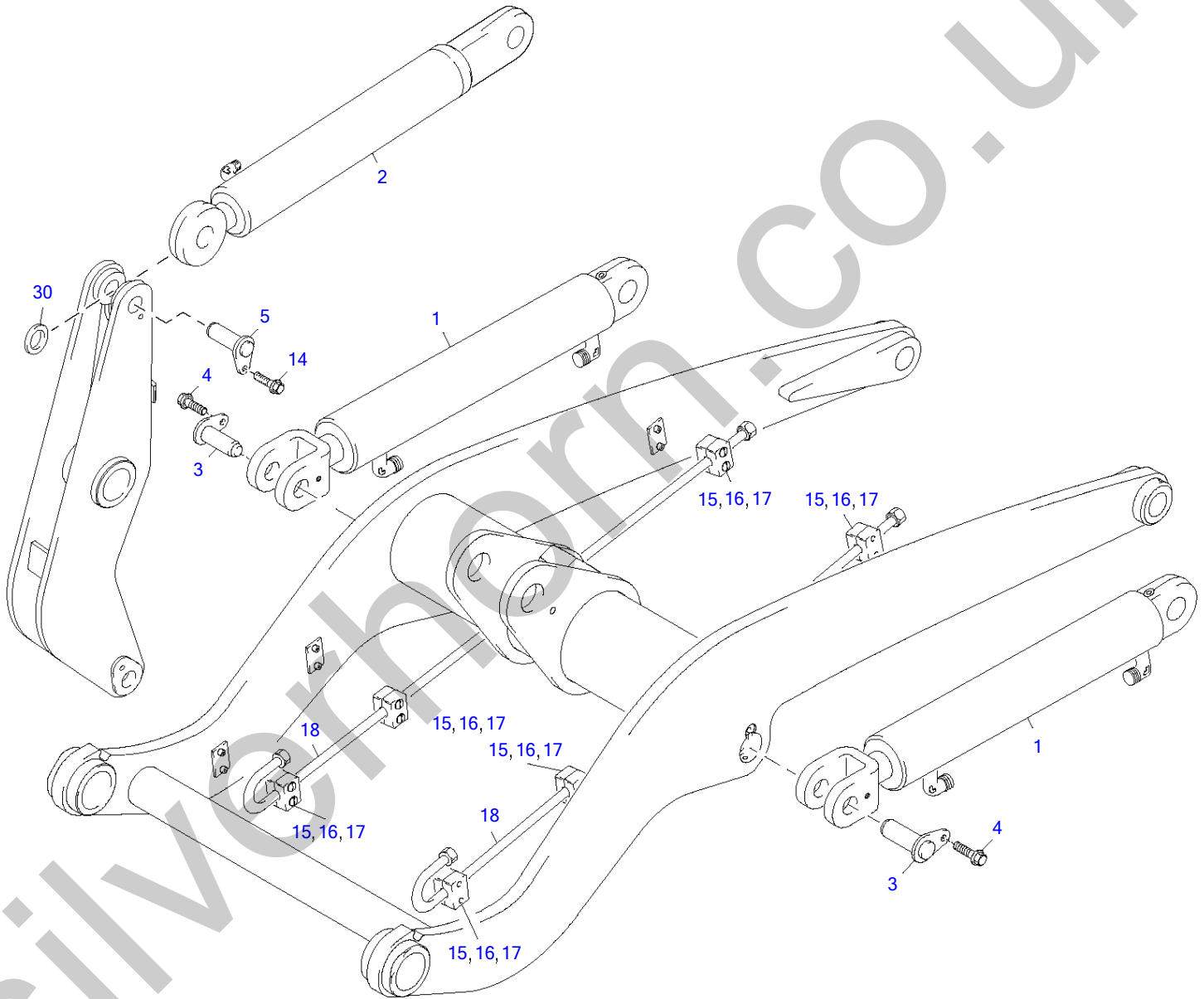
| Item | Part number | Description | Q'ty | Chan. | Serial No. | Serv. | Remarks |
|------|----------------|----------------------------|------|-------|------------|-------|---------|
| | 8010081 | Return Hydraulics | | | | | |
| 1 | 8011354 | Oil Cooler/Ventilator Body | 1 | | | | |
| 2 | 8006878 | Coupling A3C | 1 | | | | |
| 3 | 1896571 | LP-Hose 1400 MM | 1 | | | | |
| 4 | 8010053 | Elbow Nipple Compl | 2 | | | | |
| 5 | 3951244 | Coupling A3C | 2 | | | | |
| 6 | 1896571 | LP-Hose 1500 MM | 1 | | | | |
| 7 | 1896571 | LP-Hose 1150 MM | 1 | | | | |
| 8 | 8006759 | LP-Hose 800 MM | 1 | | | | |
| 9 | 8008092 | Holder | 1 | | | | |
| 10 | 3929440 | Air Filter | 1 | | | | |
| 11 | 8010061 | Coupling A3C | 2 | | | | |
| 12 | 8009636 | Return Filter Compl | 1 | | | | |
| 13 | 1896571 | LP-Hose 400 MM | 1 | | | | |
| 17 | 1309195 | Hex Socket Head Cap Screw | 3 | | | | |
| 18 | 8008624 | Compression Spring Cord | 1 | | | | |
| 19 | 2481254 | Serrated Washer A3C | 6 | | | | |
| 20 | 8010060 | Coupling A3C | 4 | | | | |
| 22 | 8017098 | Ventilator 12 V | 1 | | | | |
| 23 | 3923842 | Fastener | 1 | | | | |
| 24 | 1307079 | Hex Head Screw A3C | 6 | | | | |
| 25 | 0350898 | Usit Ring | 1 | | | | |
| 26 | 2970494 | Hose Line | 1 | | | | |
| 27 | 0862944 | Female Screw A3C | 1 | | | | |
| 28 | 1074306 | Usit Ring | 1 | | | | |
| 29 | 0373588 | Usit Ring | 1 | | | | |
| 30 | 2982909 | Female Screw A3C | 1 | | | | |
| 36 | 3939464 | Ripp Washer A3C | 3 | | | | |
| 37 | 3768296 | Gasket A3C | 1 | | | | |
| 38 | 8018820 | Angular Connection Compl | 1 | | | | |



Driving Hydraulics

| Item | Part number | Description | Q'ty | Chan. | Serial No. | Serv. | Remarks |
|------|----------------|-------------------------|------|-------|------------|-------|---------|
| | 8017517 | Driving Hydraulics | 1 | | | | |
| 1 | 2442848 | Oil Pipe A3C | 1 | | | | |
| 2 | 1096982 | Clip Norma | 2 | | | | |
| 3 | 8017518 | Hose Line 6 X 1850 | 1 | | | | |
| 9 | 2960243 | Air Vent | 1 | | | | |
| 11 | 0399760 | Hex Nut A3C | 2 | | | | |
| 12 | 3951777 | HP-Hose 13 X1850 | 1 | | | | |
| 13 | 8017519 | Hose Line 6 X 1700 | 1 | | | | |
| 15 | 8008166 | HP-Hose 25 X 1500 | 1 | | | | |
| 16 | 8008166 | HP-Hose 25 X 1500 | 1 | | | | |
| 17 | 1391980 | Half of Flange Compl | 8 | | | | |
| 18 | 0860179 | O-Ring | 4 | | | | |
| 21 | 2993151 | Serrated Hex Head Screw | 16 | | | | |
| 25 | 8017413 | Banjo | 1 | | | | |
| 26 | 8016983 | Banjo | 3 | | | | |
| 27 | 8016984 | Banjo | 1 | | | | |
| 30 | 2977571 | HP Hose 13 X 1950 | 1 | | | | |
| 44 | 3940945 | Hose Line 6 X 850 | 1 | | | | |
| 45 | 2443850 | Female Screw S A3C | 1 | | | | |
| 46 | 0373588 | Usit Ring U | 15 | | | | |
| 47 | 0350898 | Usit Ring U | 1 | | | | |
| 48 | 0862944 | Female Screw A3C | 1 | | | | |
| 50 | 0311528 | Female Screw A3C | 6 | | | | |
| 52 | 3768296 | Gasket A3C | 1 | | | | |

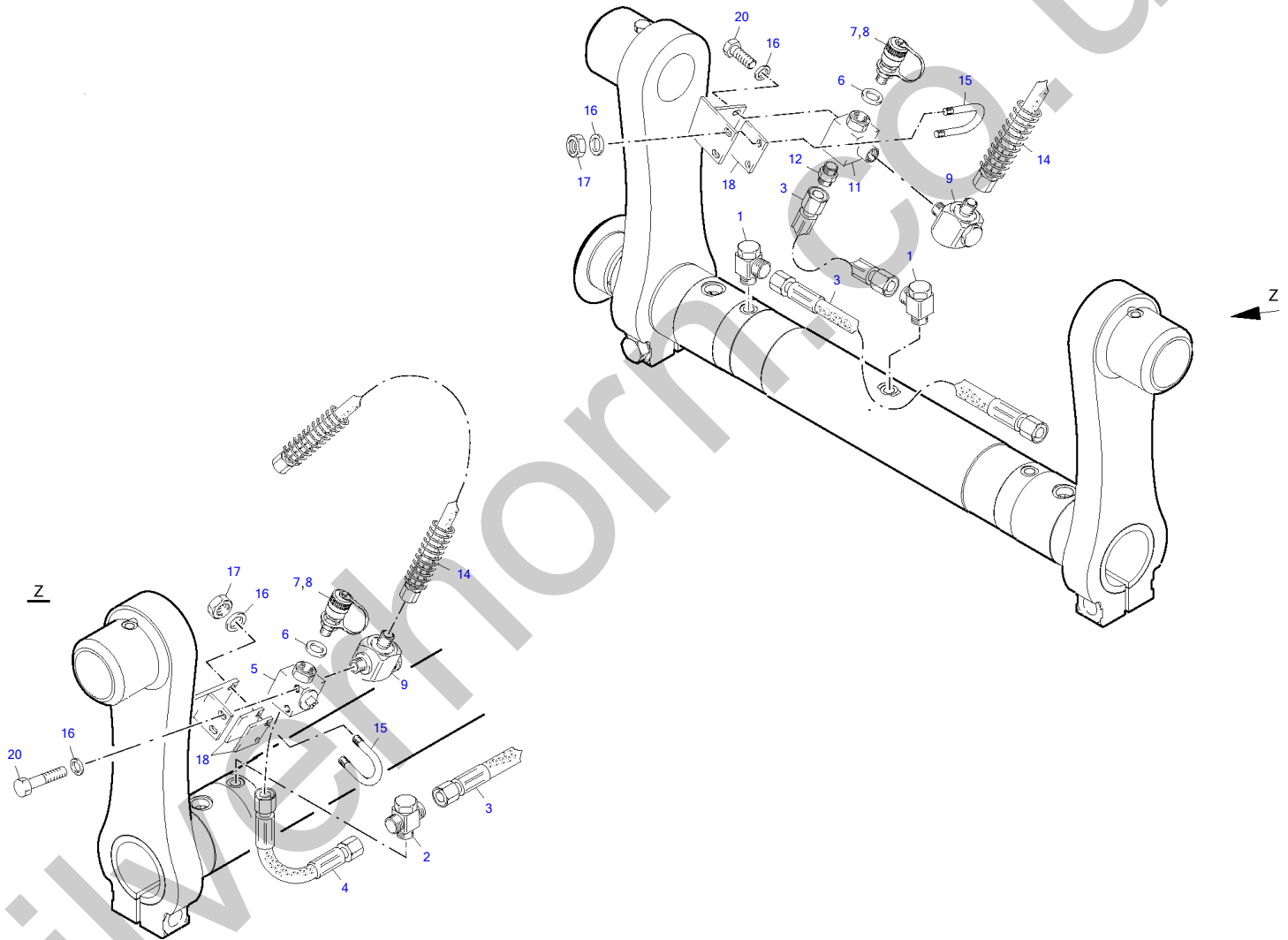
Silverhorn.CO.UK



Hydraulic Lift System

| Item | Part number | Description | Q'ty | Chan. | Serial No. | Serv. | Remarks |
|------|----------------|-------------------------|------|-------|------------|-------|---------|
| | 8018585 | Hydraulic Lift System | 1 | | | | |
| | 8016715 | Hydraulic Lift Arm | 1 | | | | |
| 1 | 8018295 | Lifting Cylinder | 2 | | | | |
| 2 | 8018297 | Working Cylinder | 1 | | | | |
| 3 | 3741159 | Pin Compl | 2 | | | | |
| 4 | 1783337 | Serrated Hex Head Screw | 2 | | | | |
| 5 | 2911255 | Pin Compl | 1 | | | | |
| 14 | 1782905 | Serrated Hex Head Screw | 1 | | | | |
| 15 | 0877203 | 2-Piece Clip Body | 6 | | | | |
| 16 | 1302325 | Washer | 12 | | | | |
| 17 | 1780969 | Oval Head Screw | 12 | | | | |
| 18 | 8017655 | Conduit | 2 | | | | |
| 30 | 8004668 | Disk 1.0 MM | 1 | | | | |
| | 8004669 | Disk 1.2 MM | 1 | | | | |
| | 8004670 | Disk 1.5 MM | 1 | | | | |
| | 8004671 | Disk 2.0 MM | 1 | | | | |

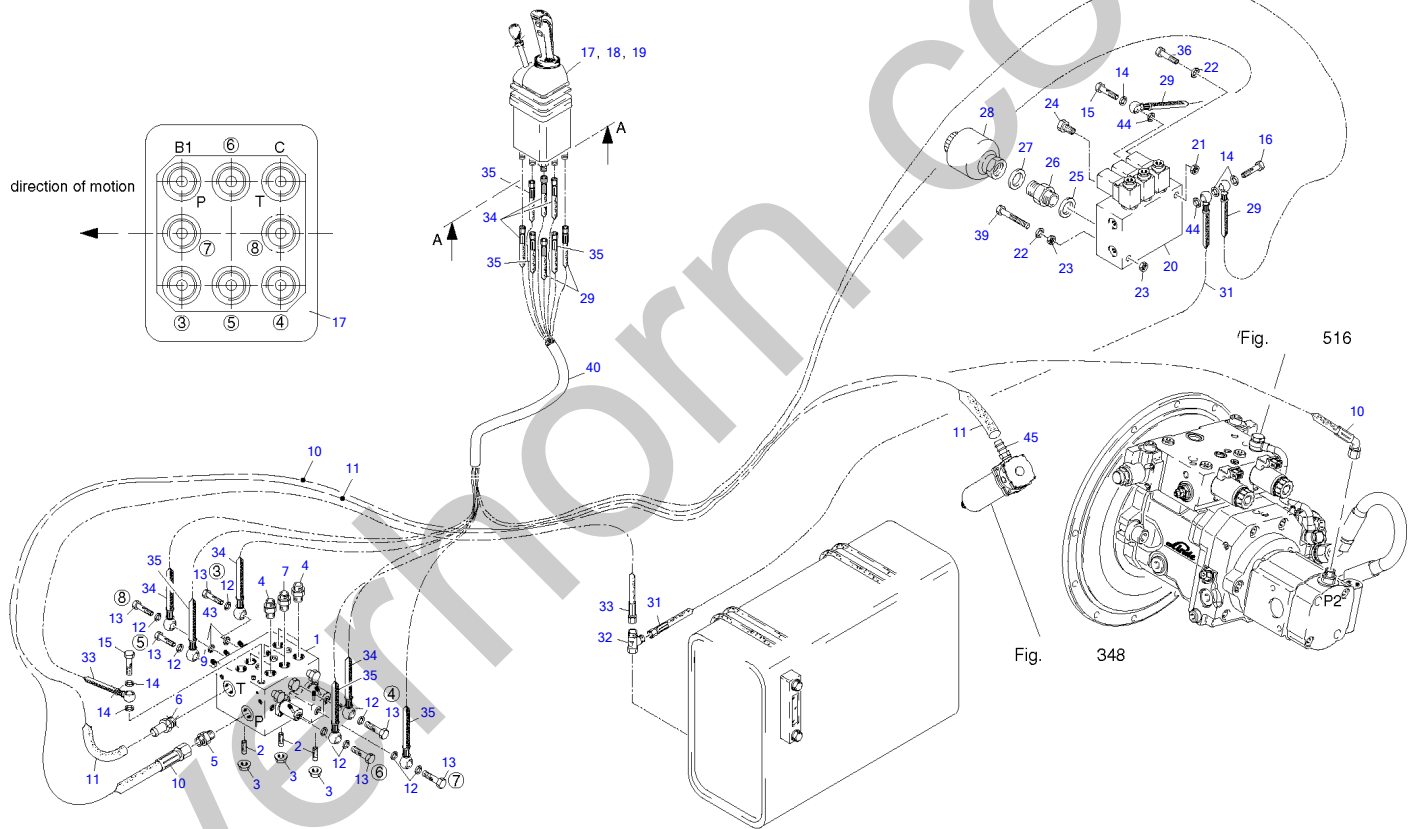
Silverhorn.CO.UK



Hydraulic Quick Release

| Item | Part number | Description | Q'ty | Chan. | Serial No. | Serv. | Remarks |
|------|----------------|-------------------------|------|-------|------------|-------|---------|
| | 8016623 | Hydraulic Quick Release | 1 | | | | |
| 1 | 2456822 | Coupling A3C | 2 | | | | |
| 2 | 2456844 | Coupling A3C | 1 | | | | |
| 3 | 8003356 | HP-Hose | 2 | | | | |
| 4 | 8003357 | HP-Hose | 1 | | | | |
| 5 | 2970905 | Shut Off Cock | 1 | | | | |
| 7 | 2605709 | Screw Plug A3C | 2 | | | | |
| 9 | 8013001 | Slew Coupling | 2 | | | | |
| 11 | 2971746 | Square Steel Bar | 1 | | | | |
| 12 | 2908501 | Coupling A3C | 1 | | | | |
| 14 | 8008375 | HP-Hose 13 X 825 | 2 | | | | |
| 15 | 8002703 | Clamp Strap | 2 | | | | |
| 16 | 2992014 | Ripp Washer A3C | 8 | | | | |
| 17 | 0487336 | Nut A3C | 4 | | | | |
| 18 | 8010355 | Plate | 3 | | | | |
| 20 | 1307115 | Hex Head Screw A3C | 4 | | | | |
| | 8007008 | Hyd Quick Release EQ | 1 | | | | |

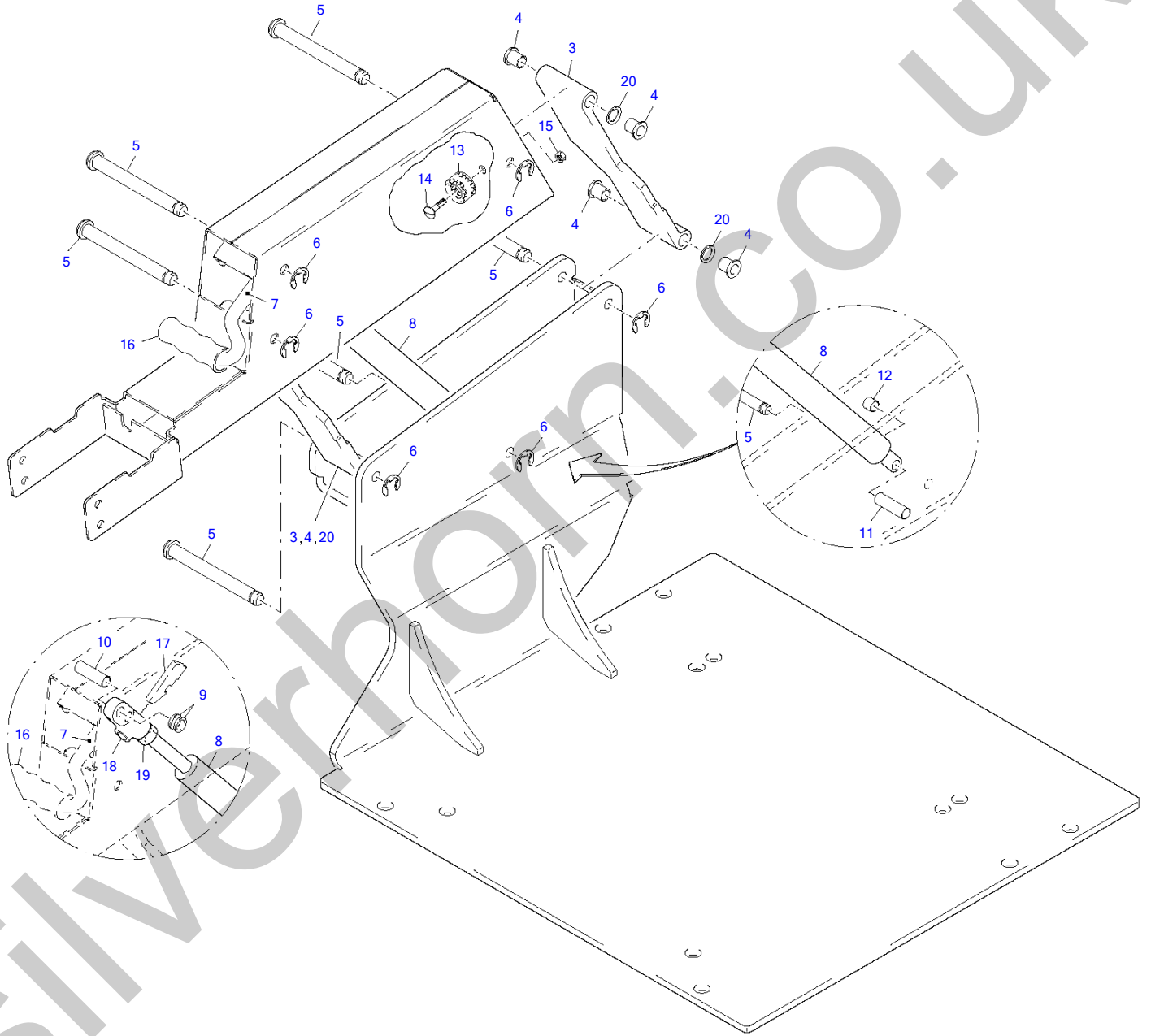
Silverhorn.CO.UK



Servo Control Compl

| Item | Part number | Description | Q'ty | Chan. | Serial No. | Serv. | Remarks |
|------|----------------|----------------------|------|-------|------------|-------|---------|
| | 8018579 | Servo Control Compl | 1 | | | | |
| 1 | 8018506 | Directional Valve | 1 | | | | |
| 2 | 2990169 | Stud | 3 | | | | |
| 3 | 1722787 | Serrated Nut | 3 | | | | |
| 4 | 2980576 | Screw Connection A3C | 4 | | | | |
| 5 | 2481696 | Screw Connection A3C | 1 | | | | |
| 6 | 8006878 | Screw Connection A3C | 1 | | | | |
| 7 | 1361586 | Screw Connection A3C | 2 | | | | |
| 10 | 3951788 | HP Hose 13 X 3000 | 1 | | | | |
| 11 | 8006759 | LP Hose 3350 MM | 1 | | | | |
| 12 | 0373588 | Usit Ring U | 9 | | | | |
| 13 | 0311528 | Female Screw A3C | 6 | | | | |
| 14 | 0350898 | Usit Ring U | 5 | | | | |
| 15 | 0862944 | Female Screw A3C | 2 | | | | |
| 16 | 2980827 | Female Screw A3C | 1 | | | | |
| 17 | 8011331 | Valve Compl | 1 | | | | |
| 18 | 1347271 | Hex Head Screw A3C | 2 | | | | |
| 19 | 0487336 | Hex Nut A3C | 2 | | | | |
| 20 | 8017593 | Solenoid Valve | 1 | | | | |
| | 8020545 | Solenoid Valve 12V | 3 | | | | |
| 21 | 0893156 | Hex Nut A3C | 1 | | | | |
| 22 | 2481254 | Serrated Washer A3C | 2 | | | | |
| 23 | 1356341 | Washer A3C | 2 | | | | |
| 24 | 1347486 | Screw Plug A3C | 1 | | | | |
| 25 | 0858506 | Usit Ring U | 1 | | | | |
| 26 | 3766192 | Double Nipple | 1 | | | | |
| 27 | 0858573 | Usit Ring U | 1 | | | | |
| 28 | 3766181 | Pressure Accumulator | 1 | | | | |
| 29 | 3932707 | Hose Line 6 X 2600 | 2 | | | | |
| 31 | 3945315 | Hose Line 6 X 1550 | 1 | | | | |
| 32 | 2903937 | Screw Connection A3C | 1 | | | | |
| 33 | 3931013 | Hose Line 6 1400 | 1 | | | | |
| 34 | 3947873 | Hose Line 6 X 2200 | 3 | | | | |
| 35 | 3945304 | Hose Line 6 X 2300 | 3 | | | | |
| 36 | 1307080 | Hex Head Screw A3C | 1 | | | | |
| 39 | 1625030 | Hex Head Screw A3C | 1 | | | | |
| 40 | 2986801 | Heater Hose 800 MM | 1 | | | | |
| 43 | 2989848 | Gasket A3C | 3 | | | | |
| 44 | 3768296 | Gasket A3C | 2 | | | | |
| 45 | 8009530 | Screw Connection A3C | 1 | | | | |

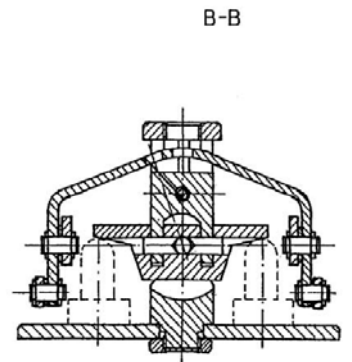
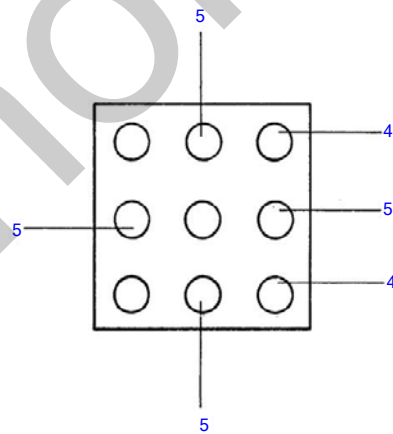
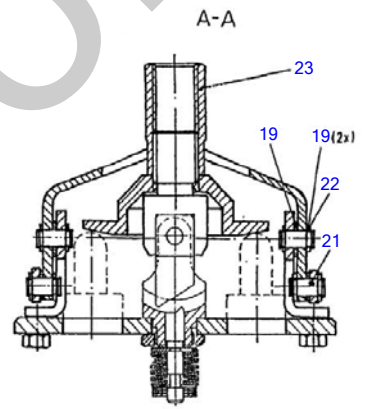
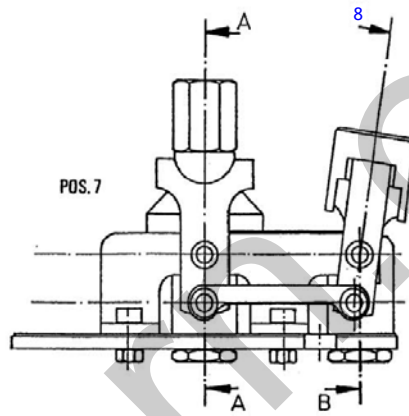
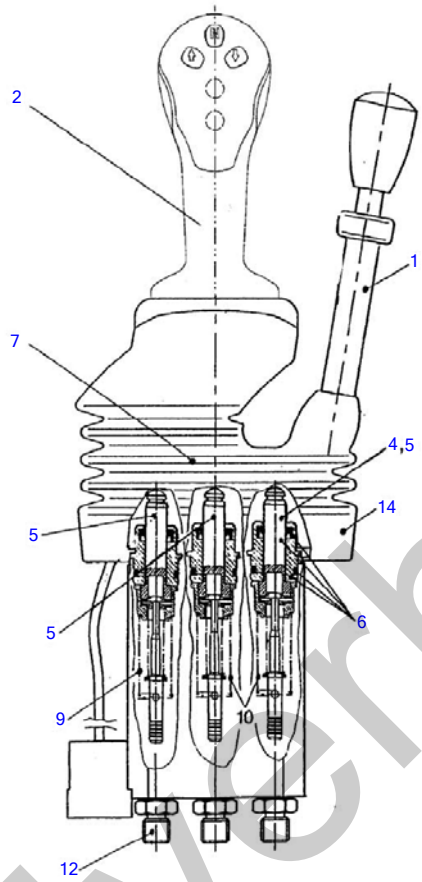
TW80 Book No. 8020870 01.10 S/N E107240
Servo Control Bracket



Servo Control Bracket

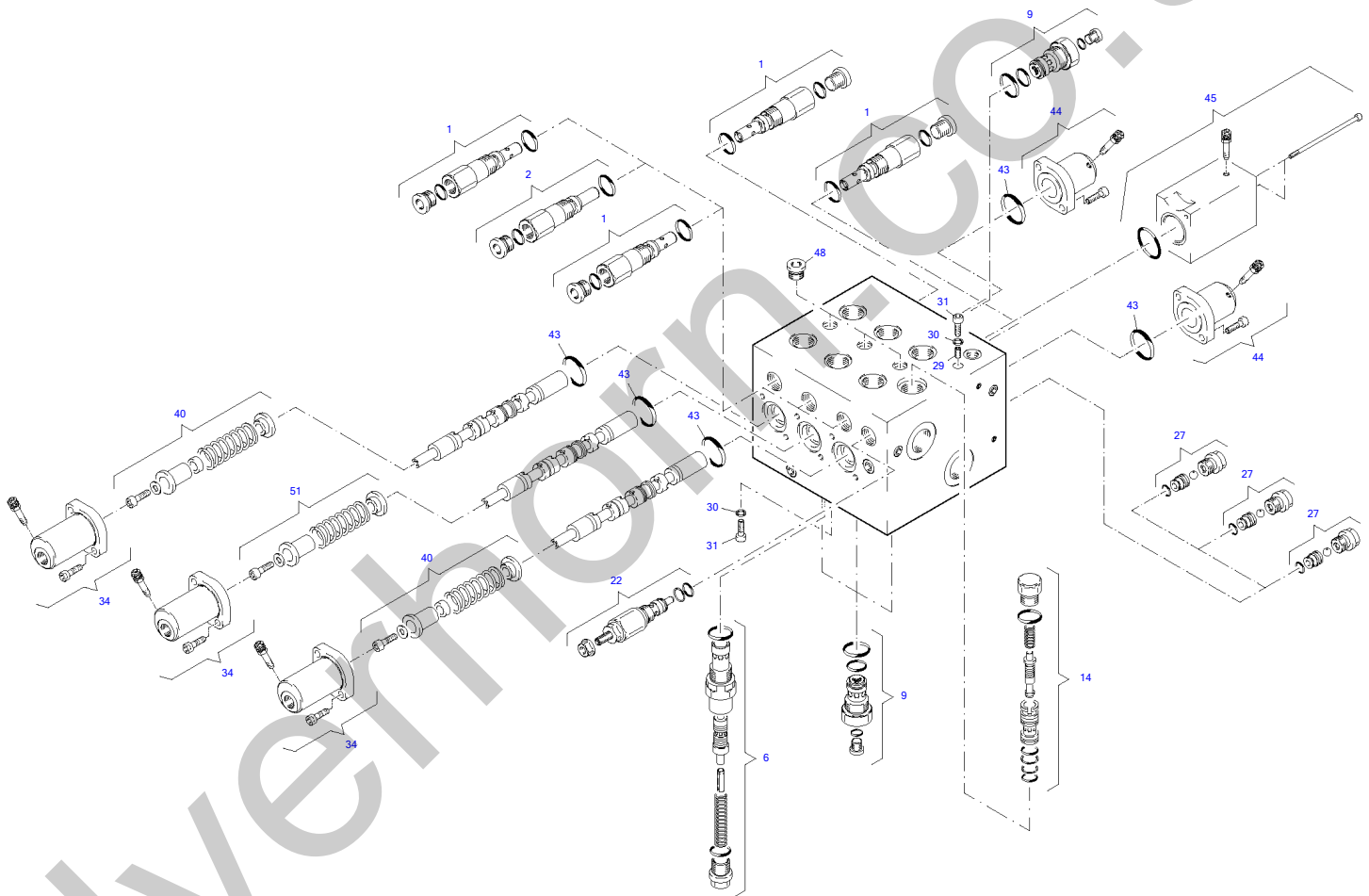
| Item | Part number | Description | Q'ty | Chan. | Serial No. | Serv. | Remarks |
|------|----------------|-----------------------|------|-------|------------|-------|---------|
| | 8007923 | Servo Control Bracket | 1 | | | | |
| 3 | 8007487 | Hinge Part | 2 | | | | |
| 4 | 1749733 | Bush | 8 | | | | |
| 5 | 0879192 | Bolt | 6 | | | | |
| 6 | 0498748 | Locking Washer | 6 | | | | |
| 7 | 3764849 | Control Lever Compl | 1 | | | | |
| 8 | 3762450 | Pneumatic Spring | 1 | | | | |
| 9 | 0863138 | Washer A3C | 2 | | | | |
| 10 | 3764872 | Spacer Pipe | 1 | | | | |
| 11 | 8007496 | Spacer Pipe | 1 | | | | |
| 12 | 3764930 | Spacer Pipe | 1 | | | | |
| 13 | 0466364 | Round Buffer | 1 | | | | |
| 14 | 0487314 | Oval Head Screw | 1 | | | | |
| 15 | 0487336 | Hex Nut A3C | 1 | | | | |
| 16 | 3960676 | Handle | 1 | | | | |
| 17 | 3768069 | Lever | 1 | | | | |
| 18 | 3987699 | Release | 1 | | | | |
| 19 | 0498522 | Hex Nut A3C | 1 | | | | |
| 20 | 0885849 | Disk Spring | 4 | | | | |

Silverhorn.CO.UK



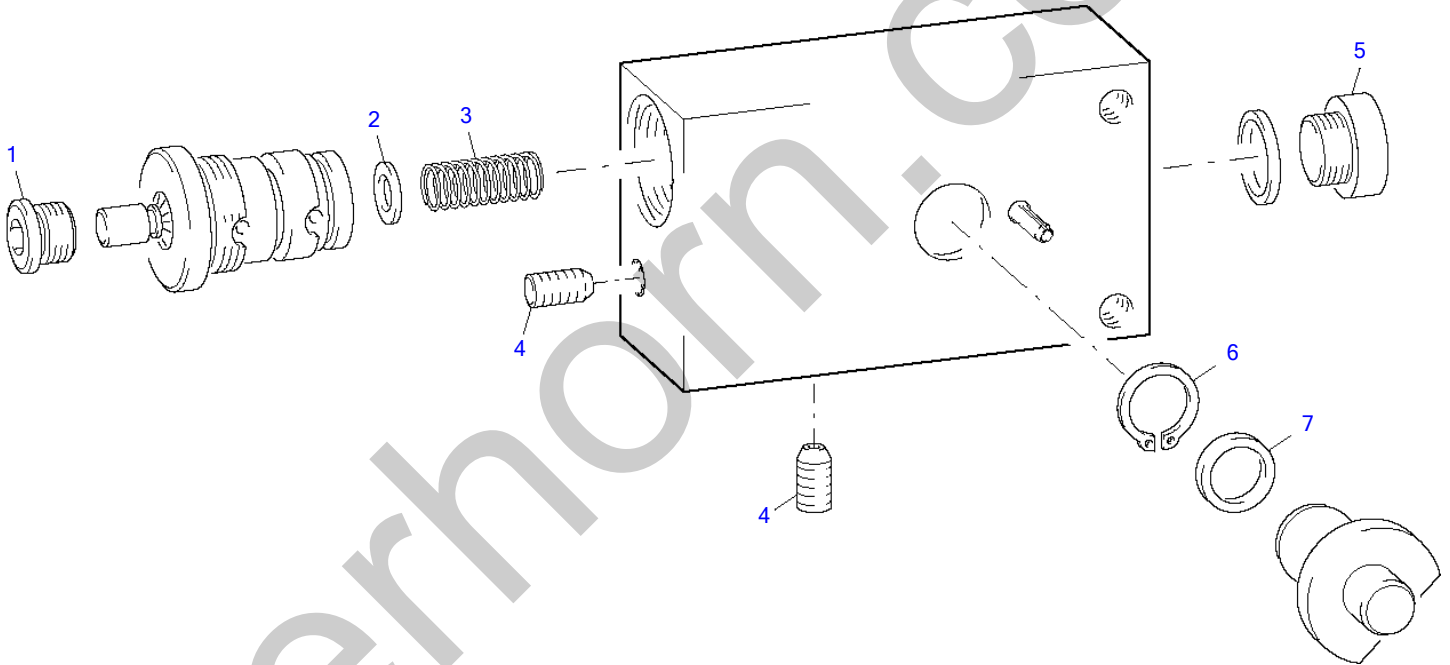
| Item | Part number | Description | Valve Compl | | | Remarks |
|------|----------------|----------------------|-------------|-------|------------|---------|
| | | | Q'ty | Chan. | Serial No. | |
| | 8011331 | Valve Compl | 1 | | | |
| 1 | 3981864 | Lock | 1 | | | |
| 2 | 8011332 | Servo Control Handle | 1 | | | |
| 4 | 3971486 | Valve Insert 408A | 2 | | | |
| 5 | 3971475 | Valve Insert 408B | 4 | | | |
| 6 | 3971533 | Sliding Insert | 6 | | | |
| 7 | 8003291 | Actuation | 1 | | | |
| 9 | 3971408 | Pressure Spring | 2 | | | |
| 10 | 3971419 | Pressure Spring | 4 | | | |
| 12 | 2917886 | Screw Connection A3C | 8 | | | |
| 14 | 3981875 | Boot | 1 | | | |
| 19 | 3971555 | Shim | 20 | | | |
| 21 | 8004038 | Pin A3C | 4 | | | |
| 22 | 8004039 | Locking Washer | 8 | | | |
| 23 | 8011883 | Connection | 1 | | | |

Silverhorn.CO.UK



| Item | Part number | Description | Directional Valve | | | Remarks |
|------|----------------|-------------------|-------------------|-------|------------|---------|
| | | | Q'ty | Chan. | Serial No. | |
| | 8018506 | Directional Valve | 1 | | | |
| 1 | 8021285 | Valve Compl | 4 | | | |
| 2 | 8021286 | Valve Compl | 1 | | | |
| 6 | 3964307 | Lowering Brake | 1 | | | |
| 9 | 3988952 | Check Valve | 4 | | | |
| 14 | 3988929 | Regulating Valve | 1 | | | |
| 22 | 2984912 | Pilot | 1 | | | |
| 27 | 8011968 | Two-Way Valve | 3 | | | |
| 29 | 3964261 | Nozzle | 1 | | | |
| 30 | 0407385 | Gasket A | 2 | | | |
| 34 | 8011960 | Cap Compl | 3 | | | |
| 40 | 8011966 | Set of Springs | 2 | | | |
| 43 | 0391251 | O-Ring | 5 | | | |
| 44 | 8011961 | Cap Compl | 2 | | | |
| 45 | 3985108 | Control Head | 1 | | | |
| 48 | 0423556 | Screw Plug A3C | 3 | | | |
| 51 | 8011967 | Set of Springs | 1 | | | |
| | 3988963 | Seal Kit | 1 | | | |

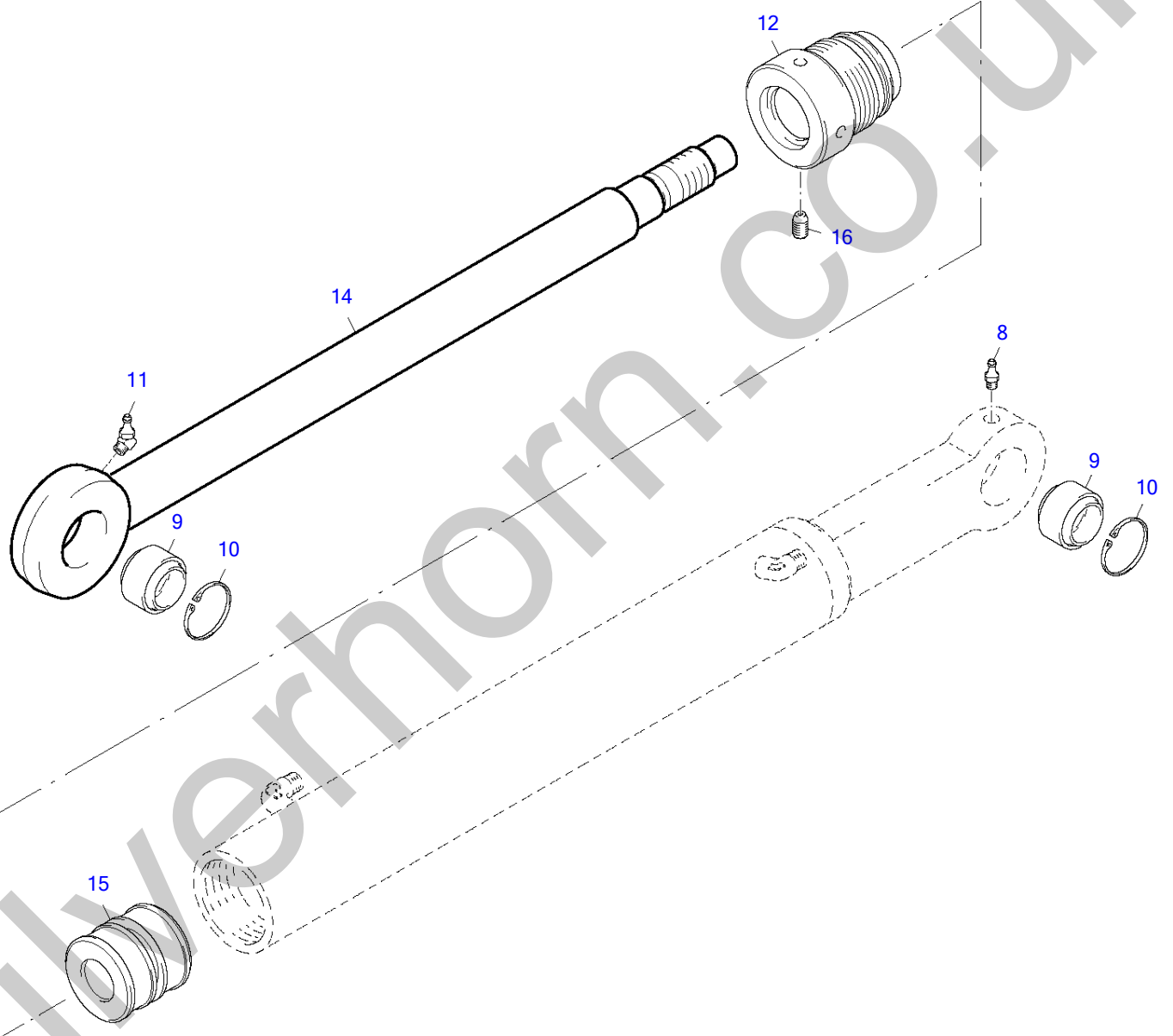
Silverhorn.CO.UK



Brake Throttle Valve

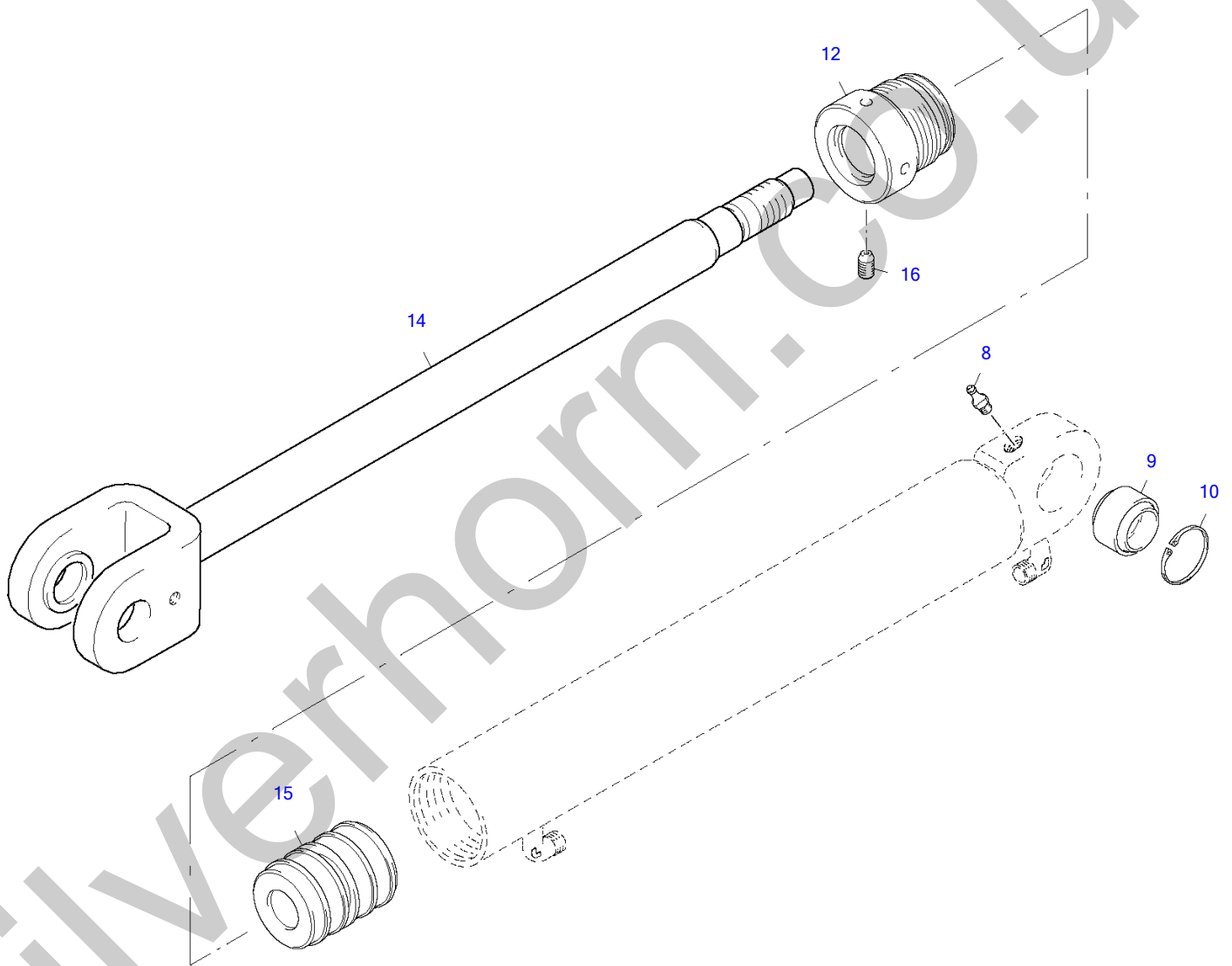
| Item | Part number | Description | Q'ty | Chan. | Serial No. | Serv. | Remarks |
|------|----------------|----------------------|------|-------|------------|-------|---------|
| | 8005560 | Brake Throttle Valve | 1 | | | | |
| 1 | 1694986 | Screw Plug A3C | 1 | | | | |
| 2 | 0893043 | Washer A3C | 1 | | | | |
| 3 | 3960041 | Pressure Spring | 1 | | | | |
| 4 | 0442888 | Threaded Pin A3C | 2 | | | | |
| 5 | 0357908 | Screw Plug A3C | 1 | | | | |
| 6 | 0314123 | Circlip | 1 | | | | |
| 7 | 3960052 | Shim | 1 | | | | |
| | 8011963 | Seal Kit Compl | 1 | | | | |

Silverhorn.CO.UK



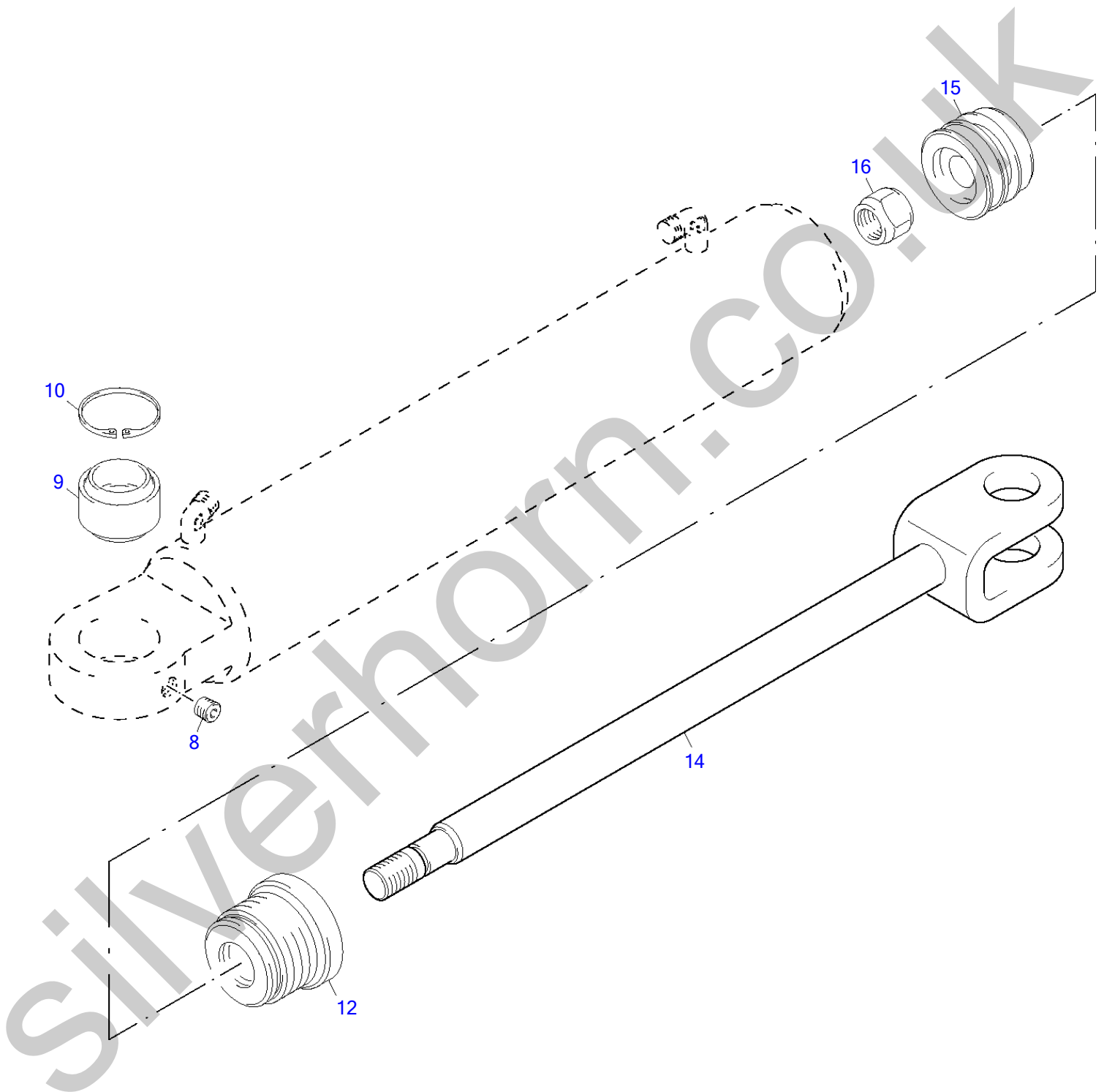
| Item | Part number | Description | Working Cylinder | | | Remarks |
|------|----------------|-------------------|------------------|-------|------------|---------|
| | | | Q'ty | Chan. | Serial No. | |
| | 8018297 | Working Cylinder | 1 | | | |
| 8 | 0324590 | Grease Nipple | 1 | | | |
| 9 | 1050977 | Spherical Bearing | 2 | | | |
| 10 | 1627587 | Circlip Tone 400 | 2 | | | |
| 11 | 0366772 | Grease Nipple | 1 | | | |
| 12 | 8021973 | Guide Bush | 1 | | | |
| 14 | 8021957 | Piston Rod | 1 | | | |
| 15 | 8021974 | Piston | 1 | | | |
| 16 | 0346369 | Threaded Pin | 1 | | | |
| | 8021892 | Seal Kit | 1 | | | |

Silverhorn.CO.UK



| Item | Part number | Description | Lifting Cylinder | | | |
|------|----------------|-------------------|------------------|-------|------------|---------------|
| | | | Q'ty | Chan. | Serial No. | Serv. Remarks |
| | 8018295 | Lifting Cylinder | 1 | | | |
| 8 | 0324590 | Grease Nipple | 1 | | | |
| 9 | 2915806 | Spherical Bearing | 1 | | | |
| 10 | 1630811 | Circlip Tone 400 | 1 | | | |
| 12 | 8021916 | Guide Bush | 1 | | | |
| 14 | 8021894 | Piston Rod | 1 | | | |
| 15 | 8021917 | Piston | 1 | | | |
| 16 | 0440002 | Threaded Pin | 1 | | | |
| | 8021891 | Seal Kit | 1 | | | |

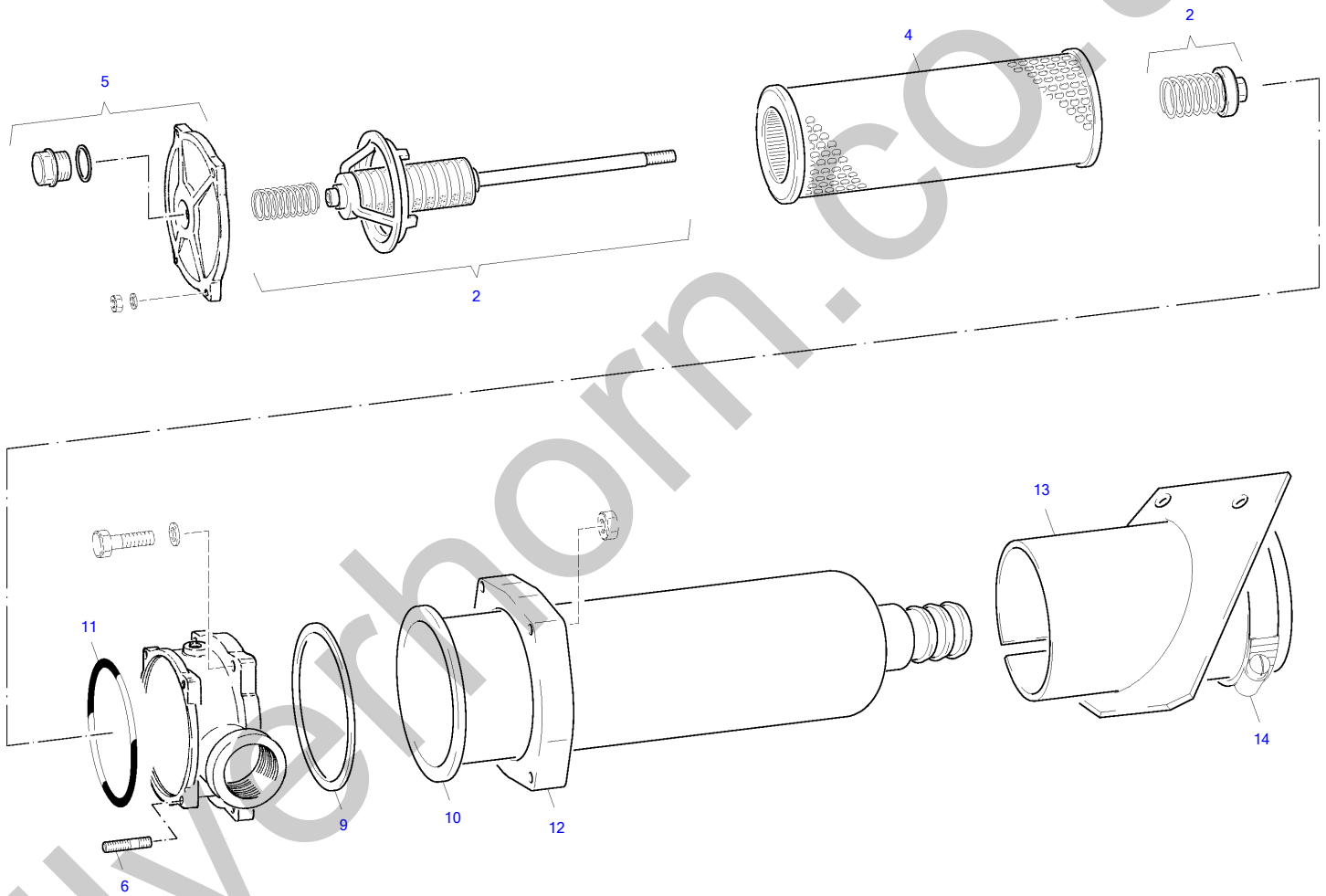
Silverhorn.CO.UK



Steering Cylinder

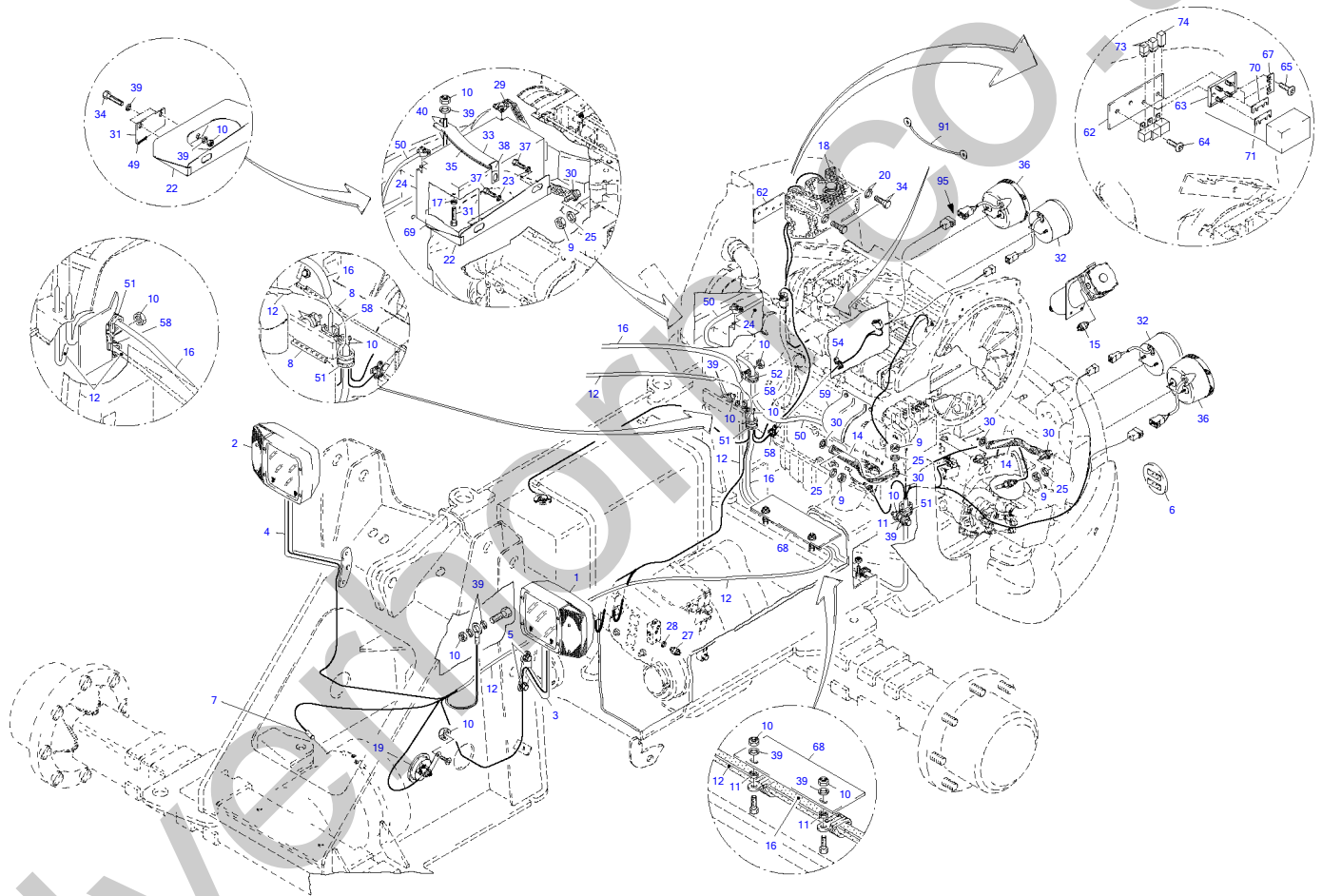
| Item | Part number | Description | Q'ty | Chan. | Serial No. | Serv. | Remarks |
|------|----------------|-------------------|------|-------|------------|-------|---------|
| | 3931751 | Steering Cylinder | 1 | | | | |
| 8 | 1370667 | Screw Plug A3C | 1 | | | | |
| 9 | 0447032 | Spherical Bearing | 1 | | | | |
| 10 | 0318069 | Circlip Tone 400 | 1 | | | | |
| 12 | 3740614 | Cylinder Nut | 1 | | | | |
| 14 | 3931740 | Piston Rod Compl | 1 | | | | |
| 15 | 3740603 | Guide Piston | 1 | | | | |
| 16 | 3741228 | Hex Nut | 1 | | | | |
| | 3741206 | Seal Kit 63/28 | 1 | | | | |

Silverhorn.CO.UK



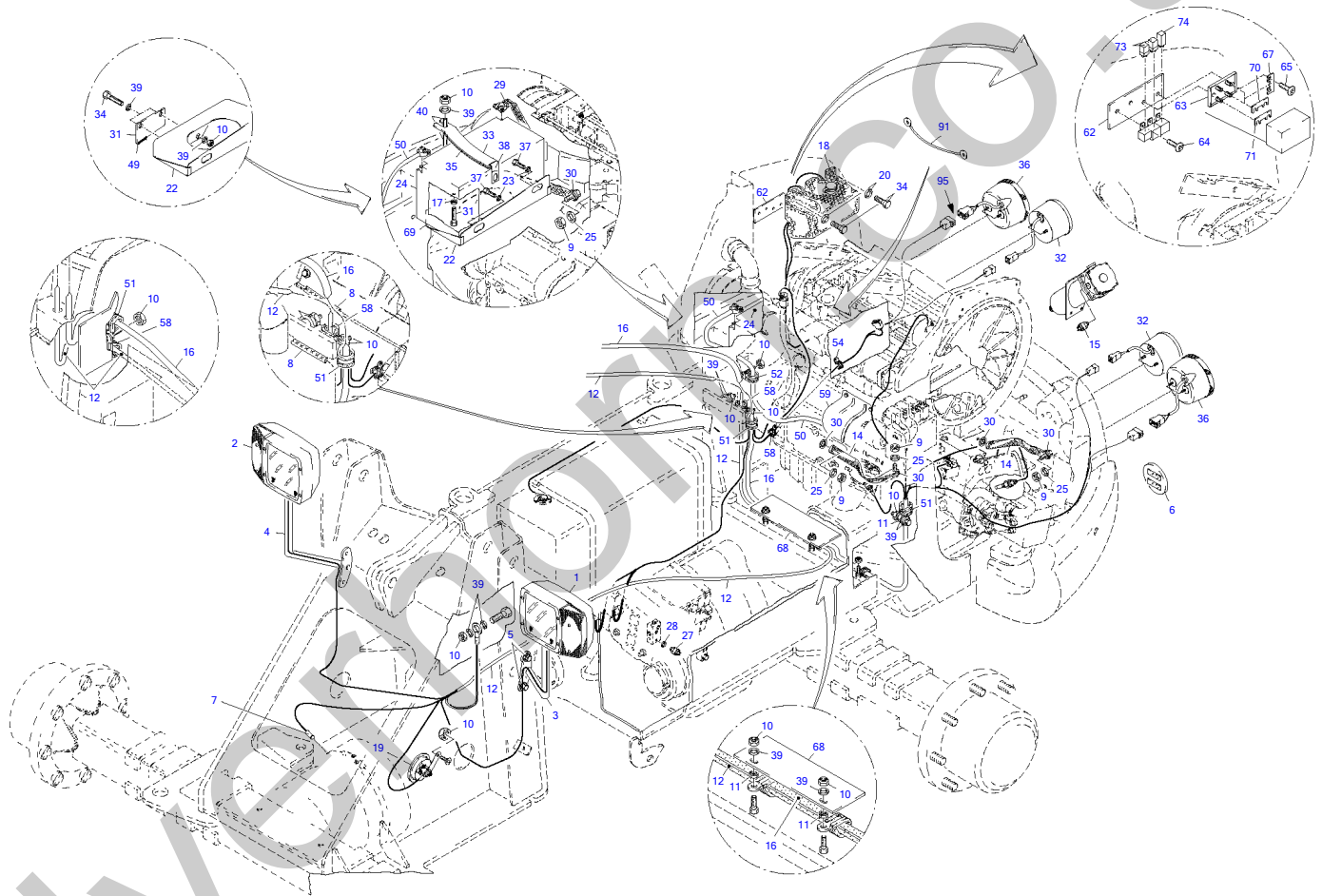
| Item | Part number | Description | Return Filter | | | Remarks |
|------|-------------|---------------------|---------------|-------|------------|---------|
| | | | Q'ty | Chan. | Serial No. | |
| | 8009636 | Return Filter | 1 | | | |
| | 8008817 | Return Filter | 1 | | | |
| 2 | 8011824 | Holder | 1 | | | |
| 4 | 8012138 | Conversion Kit | 1 | | | |
| 5 | 8011965 | Lid Compl | 1 | | | |
| 6 | 2674713 | Stud A3C | 4 | | | |
| 9 | 1084820 | Gasket | 1 | | | |
| 10 | 8011826 | Bottom Part Housing | 1 | | | |
| 11 | 2918263 | O-Ring | 1 | | | |
| 12 | 8008932 | Counter Flange | 1 | | | |
| 13 | 8011519 | Jacket Sheet | 1 | | | |
| 14 | 1056893 | Clip Norma | 1 | | | |

Silverhorn.CO.UK



Electrical System

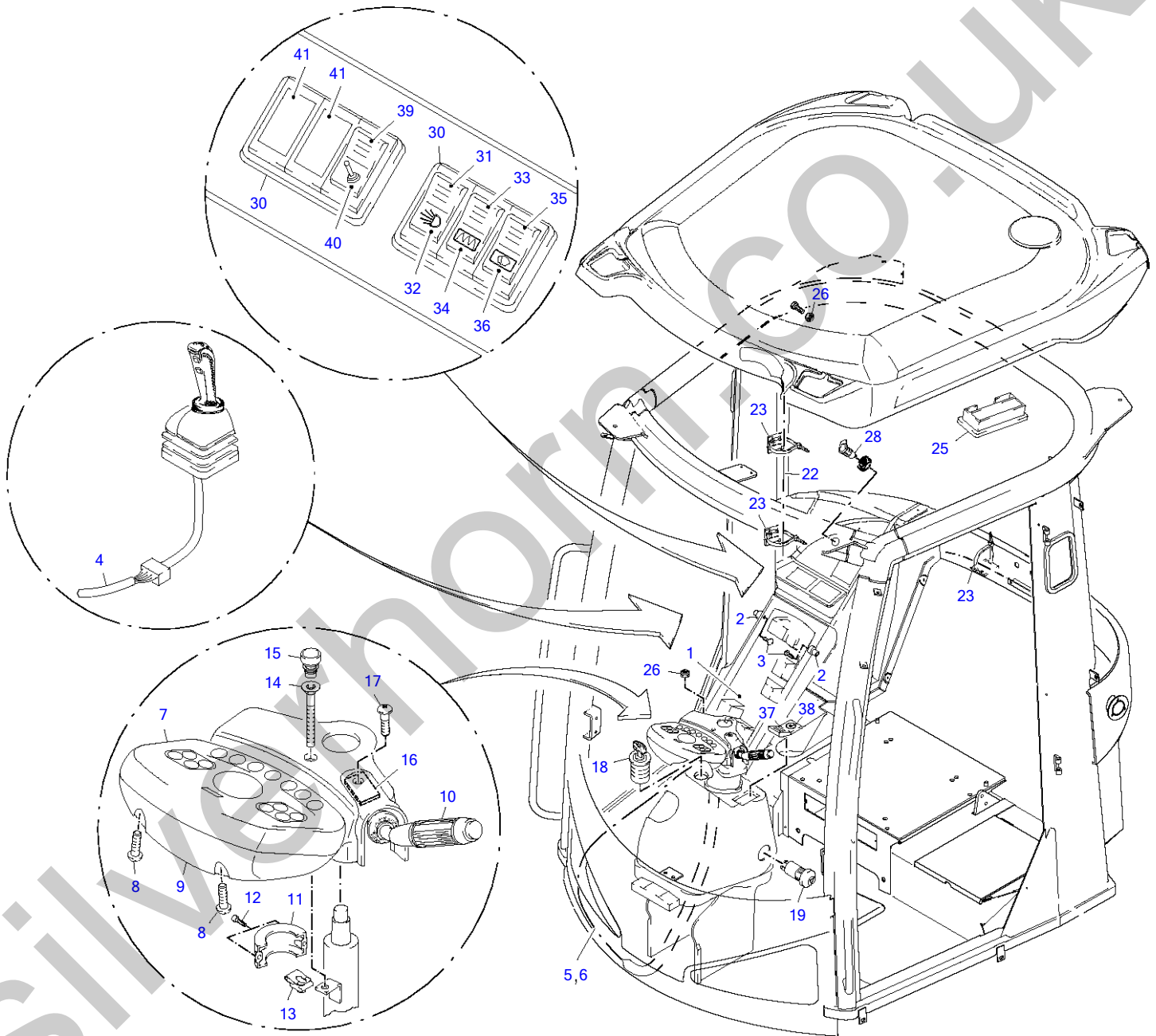
| Item | Part number | Description | Qty | Chan. | Serial No. | Serv. | Remarks |
|------|----------------|-------------------------|-----|-------|------------|-------|---------|
| | 8008690 | Electrical System | 1 | | | | |
| 1 | 3928789 | Left Headlight | 1 | | | | |
| | 0409672 | Light Bulb H3 55W | 1 | | | | |
| | 0377300 | Light Bulb T4W 4W | 1 | | | | |
| | 3981604 | Light Bulb H7 55W | 1 | | | | |
| | 0388450 | Light Bulb P21W 21W | 1 | | | | |
| 2 | 3928790 | Right Headlight | 1 | | | | |
| | 0409672 | Light Bulb H3 55W | 1 | | | | |
| | 0377300 | Light Bulb T4W 4W | 1 | | | | |
| | 3981604 | Light Bulb H7 55W | 1 | | | | |
| | 0388450 | Light Bulb P21W 21W | 1 | | | | |
| 3 | 3929600 | Left Holder | 1 | | | | |
| 4 | 3929611 | Right Holder | 1 | | | | |
| 5 | 2916794 | Self-Locking Screw | 4 | | | | |
| 6 | 3931579 | Rear Reflector | 2 | | | | |
| 7 | 3929724 | RPM Sensor | 1 | | | | |
| | 3981922 | Gasket | 1 | | | | |
| 8 | 0935113 | Profile Rubber 130 MM | 2 | | | | |
| 9 | 0327297 | Hex Nut A3C | 4 | | | | |
| 10 | 0399760 | Hex Nut A3C | 13 | | | | |
| 11 | 0893167 | Hex Nut A3C | 1 | | | | |
| 12 | 8009235 | Cable Set Front | 1 | | | | |
| 14 | 8004629 | Ground Strap | 2 | | | | |
| 15 | 3927346 | Pushbutton Switch | 1 | | | | |
| 16 | 8017124 | Engine Cable Set | 1 | | | | |
| 18 | 2995299 | Container with 2 Pumps | 1 | | | | |
| | 2995813 | Pump | 1 | | | | |
| | 2995824 | Lid | 1 | | | | |
| | 2995835 | Grommet | 2 | | | | |
| 19 | 4666308 | Horn 12V | 1 | | | | |
| 20 | 1356341 | Washer A3C | 2 | | | | |
| 22 | 8008606 | Battery Retainer | 1 | | | | |
| 24 | 4615852 | Battery | 1 | | | | |
| 25 | 2481243 | Serrated Washer A3C | 5 | | | | |
| 27 | 3963555 | Brake Light Switch | 1 | | | | |
| 28 | 0321779 | Usit Ring U | 1 | | | | |
| 29 | 8005421 | Ground Strap | 1 | | | | |
| 30 | 0492935 | Lock Washer | 5 | | | | |
| 31 | 8019173 | Plate ZN | 1 | | | | |
| 32 | 3927197 | Rear Light | 2 | | | | |
| | 0388450 | Light Bulb P21W 21W | 1 | | | | |
| 33 | 8008286 | Holder | 1 | | | | |
| 34 | 0893236 | Hex Head Screw A3C | 4 | | | | |
| 35 | 0909304 | Profile Rubber 170 MM | 1 | | | | |
| 36 | 8012422 | Rear Reflector Compl | 2 | | | | |
| | 388450 | Light Bulb P21W 21W | 2 | | | | |
| | 0313279 | Light Bulb R10W 10W | 1 | | | | |
| 37 | 2449607 | Serrated Hex Head Screw | 2 | | | | |
| 38 | 8008258 | Holder | 1 | | | | |
| 39 | 2481254 | Serrated Washer A3C | 13 | | | | |
| 40 | 8019286 | Threaded Rod A3C | 1 | | | | |
| 47 | 2992014 | Serrated Washer A3C | 8 | | | | |
| 49 | 0935113 | Profile Rubber 110 MM | 1 | | | | |
| 50 | 8009414 | Positive Cable Compl | 1 | | | | |
| 51 | 2443587 | Clip Norma | 2 | | | | |
| 52 | 1009352 | Clip Norma | 2 | | | | |
| 54 | 2443576 | Clip Norma | 3 | | | | |
| 55 | 4651710 | Clip Norma | 1 | | | | |
| 58 | 1782789 | Clip Norma | 2 | | | | |
| 59 | 0417069 | Starter Protection Cap | 1 | | | | |
| 60 | 1703104 | Clip Norma | 2 | | | | |
| 62 | 8011517 | Plate | 1 | | | | |
| 63 | 8009049 | Fuse Holder | 1 | | | | |
| 64 | 3934378 | Oval Head Screw A3R | 2 | | | | |
| 65 | 3937360 | Screw | 2 | | | | |
| 67 | 8009052 | Bridge | 1 | | | | |
| 68 | 3931488 | Plate | 1 | | | | |
| 69 | 2457425 | Plate | 1 | | | | |



Electrical System

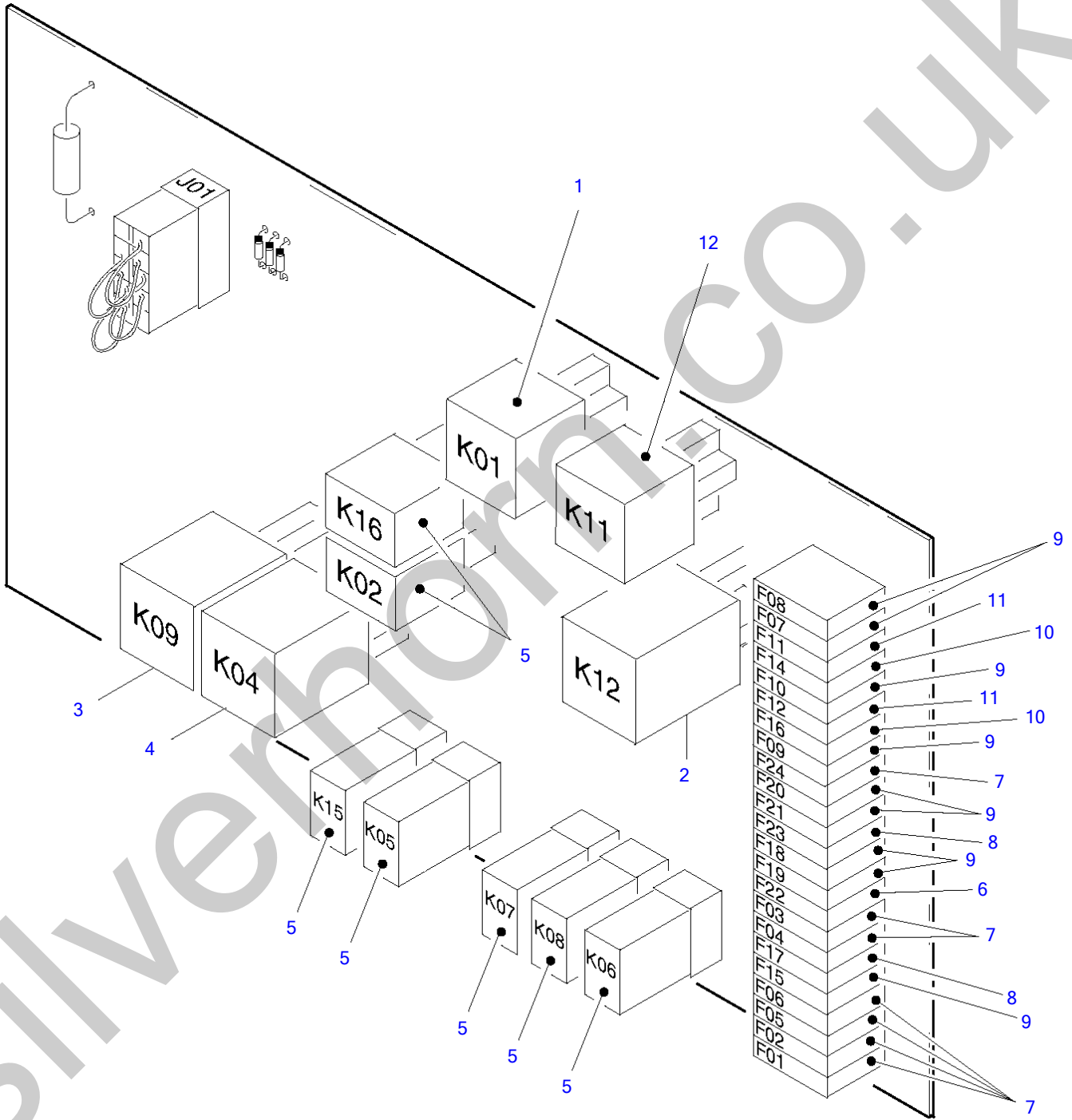
| Item | Part number | Description | Q'ty | Chan. | Serial No. | Serv. | Remarks |
|------|----------------|--------------------|------|-------|------------|-------|---------|
| 70 | 2980770 | Fuse 80 A | 1 | | | | |
| 71 | 8009053 | Fuse 40 A | 1 | | | | |
| 73 | 3929586 | Relay | 2 | | | | |
| 74 | 8009487 | Control Unit 12V | 1 | | | | |
| 91 | 3766170 | Cable | 1 | | | | |
| 92 | 0893076 | Washer A3C | 2 | | | | |
| 93 | 0893134 | Hex Nut A3C | 2 | | | | |
| 95 | 8010481 | Warning Buzzer Kit | 1 | | | | |

Silverhorn.CO.UK



Electrical System Cabin

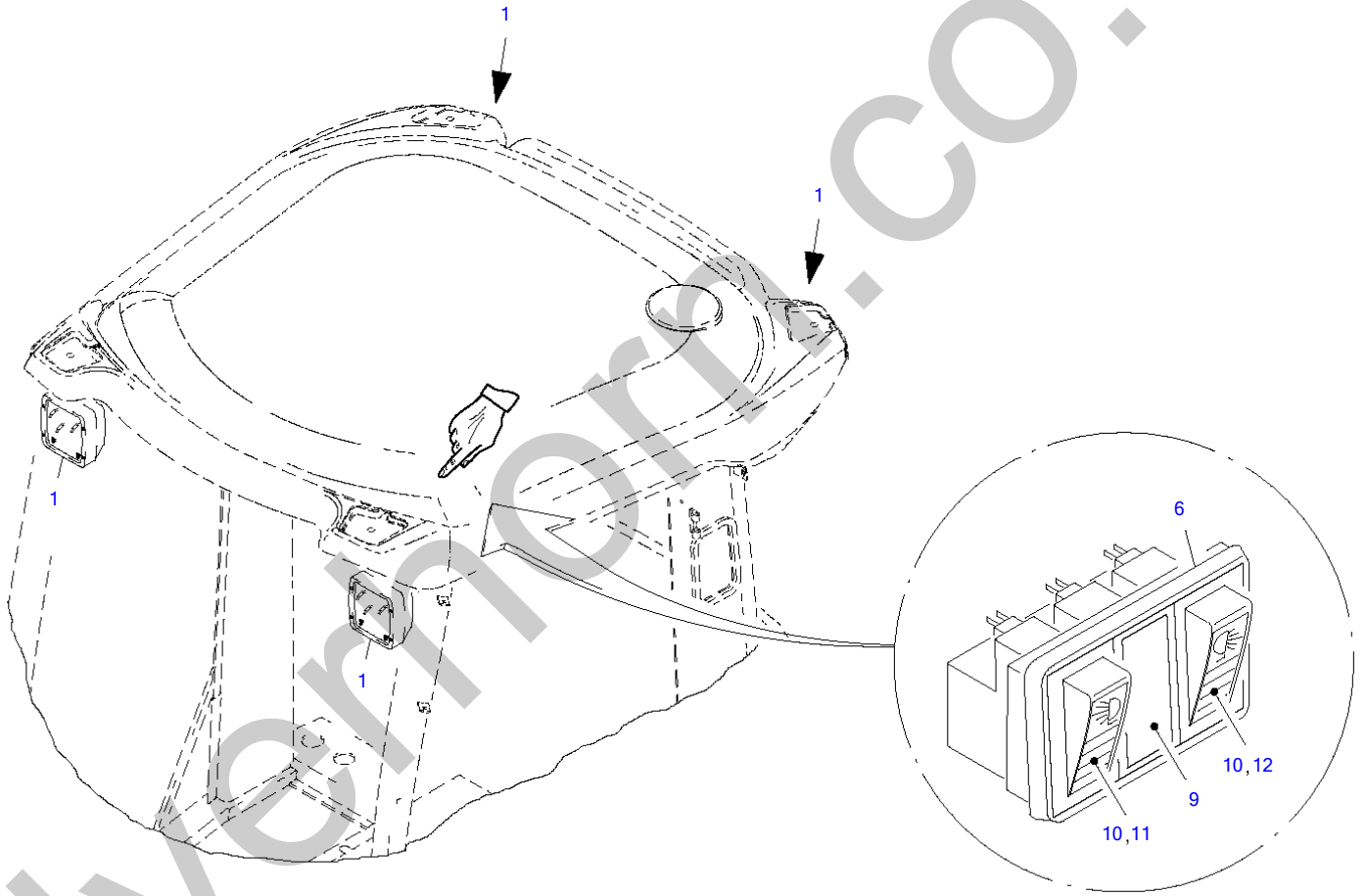
| Item | Part number | Description | Q'ty | Chan. | Serial No. | Serv. | Remarks |
|------|----------------|-------------------------|------|-------|------------|-------|---------|
| | 8008388 | Electrical System Cabin | 1 | | | | |
| 1 | 8008597 | Printed Circuit Board | 1 | | | | |
| 2 | 3940809 | Nut | 4 | | | | |
| 3 | 1631765 | Hex Head Cap Screw | 4 | | | | |
| 4 | 8009236 | Joystick Cable Set | 1 | | | | |
| 5 | 8008598 | Cabin Cable Set | 1 | | | | |
| 6 | 8009237 | Display Cable Set | 1 | | | | |
| 7 | 8008592 | Display Compl | 1 | | | | |
| | 8013964 | Light Bulb | 1 | | | | |
| | 0335366 | Light Bulb | 1 | | | | |
| | 8013963 | Light Bulb | 14 | | | | |
| 8 | 3978370 | Oval Head Screw A3R | 1 | | | | |
| 9 | 3973693 | Dashboard | 1 | | | | |
| 10 | 3926776 | Switch | 1 | | | | |
| 11 | 3926787 | Bail | 1 | | | | |
| 12 | 0307544 | Hex Head Cap Screw | 2 | | | | |
| 13 | 0478675 | Holder Nut | 2 | | | | |
| 14 | 3976607 | Countersunk Screw | 1 | | | | |
| 15 | 3976629 | Laminar Plug | 1 | | | | |
| 16 | 3935346 | Plate | 1 | | | | |
| 17 | 3978381 | Raiser Counters H Screw | 1 | | | | |
| 18 | 3928143 | Ignition Lock | 1 | | | | |
| | 3643912 | Ignition Key | 1 | | | | |
| 19 | 3933128 | Switch 12V | 1 | | | | |
| 22 | 8008599 | Cabin Cable Set | 1 | | | | |
| 23 | 3977119 | Plate | 9 | | | | |
| 25 | 3927186 | Courtesy Light | 1 | | | | |
| | 0335344 | Light Bulb Soffitte | 1 | | | | |
| 26 | 0399760 | Hex Nut A3C | 2 | | | | |
| 28 | 1719419 | Socket | 1 | | | | |
| 30 | 1663821 | Mounting Frame | 2 | | | | |
| 31 | 3972909 | Switch | 1 | | | | |
| 32 | 1719033 | Decal | 1 | | | | |
| 33 | 8005311 | Button 12V | 1 | | | | |
| 34 | 8005312 | Decal | 1 | | | | |
| 35 | 3972943 | Switch | 1 | | | | |
| 36 | 1718985 | Decal | 1 | | | | |
| 37 | 4671952 | Switch 12V | 1 | | | | |
| 38 | 1719135 | Decal | 1 | | | | |
| 39 | 4674353 | Switch 12V | 1 | | | | |
| 40 | 3765828 | Decal | 1 | | | | |
| 41 | 1359720 | Cover | 2 | | | | |



Printed Circuit Board

| Item | Part number | Description | Q'ty | Chan. | Serial No. | Serv. | Remarks |
|------|----------------|--------------------------|------|-------|------------|-------|---------|
| | 8008597 | Printed Circuit Board | 1 | | | | |
| 1 | 8009370 | Relay | 1 | | | | |
| 2 | 8005320 | Time Control Unit | 1 | | | | |
| 3 | 3935277 | Signal Transmitter | 1 | | | | |
| 4 | 8008996 | Special Relay 12V 10/15A | 1 | | | | |
| 5 | 1724325 | Relay | 7 | | | | |
| 6 | 1719237 | Fuse 5.0 A | 1 | | | | |
| 7 | 1719248 | Fuse 7.5 A | 7 | | | | |
| 8 | 1719259 | Fuse 10.0 A | 2 | | | | |
| 9 | 1719260 | Fuse 15.0 A | 9 | | | | |
| 10 | 1719464 | Fuse 25.0 A | 2 | | | | |
| 11 | 3933117 | Fuse 30.0 A | 2 | | | | |
| 12 | 8009368 | Relay 12V 20/30 A | 1 | | | | |

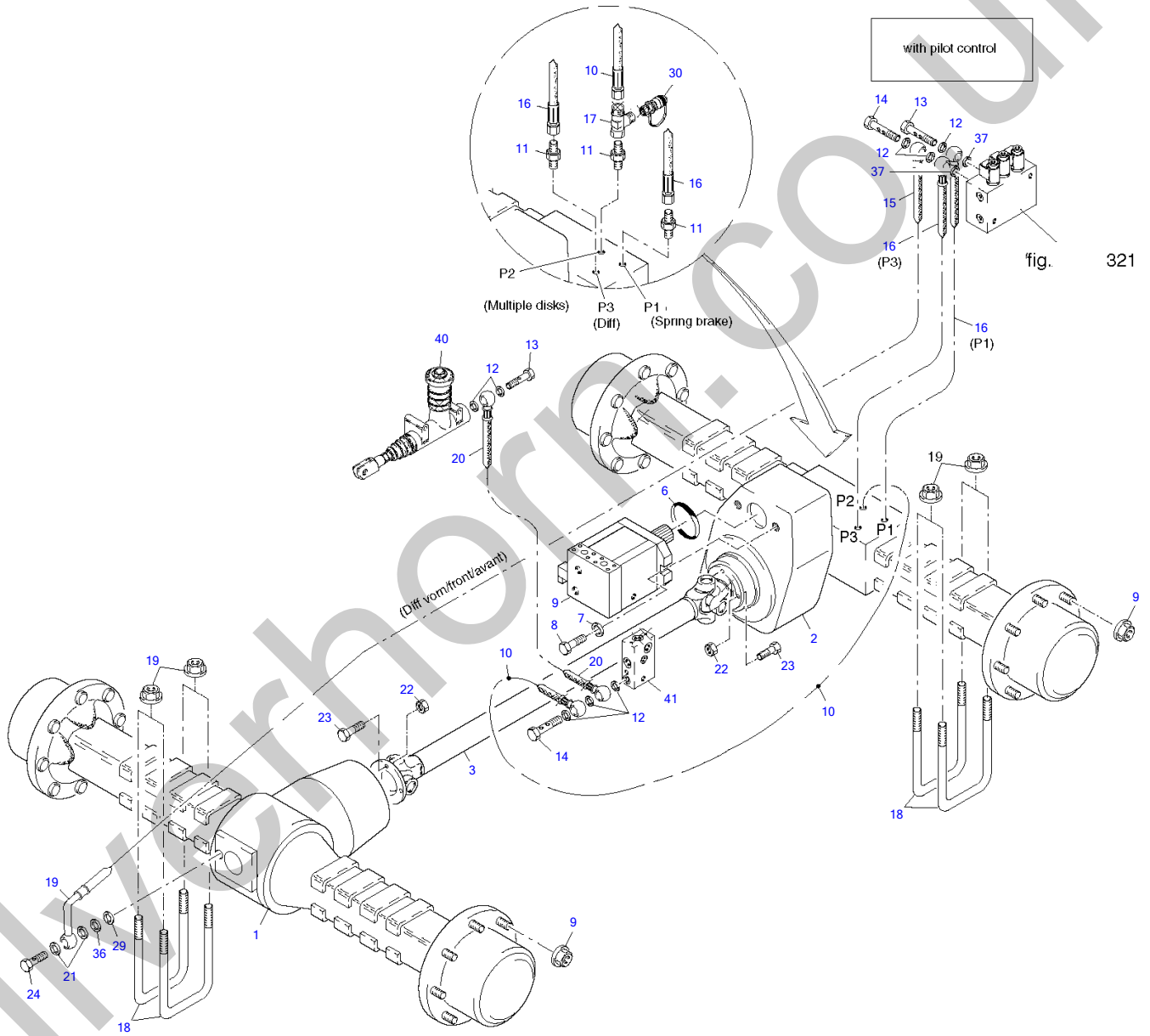
Silverhorn.CO.UK



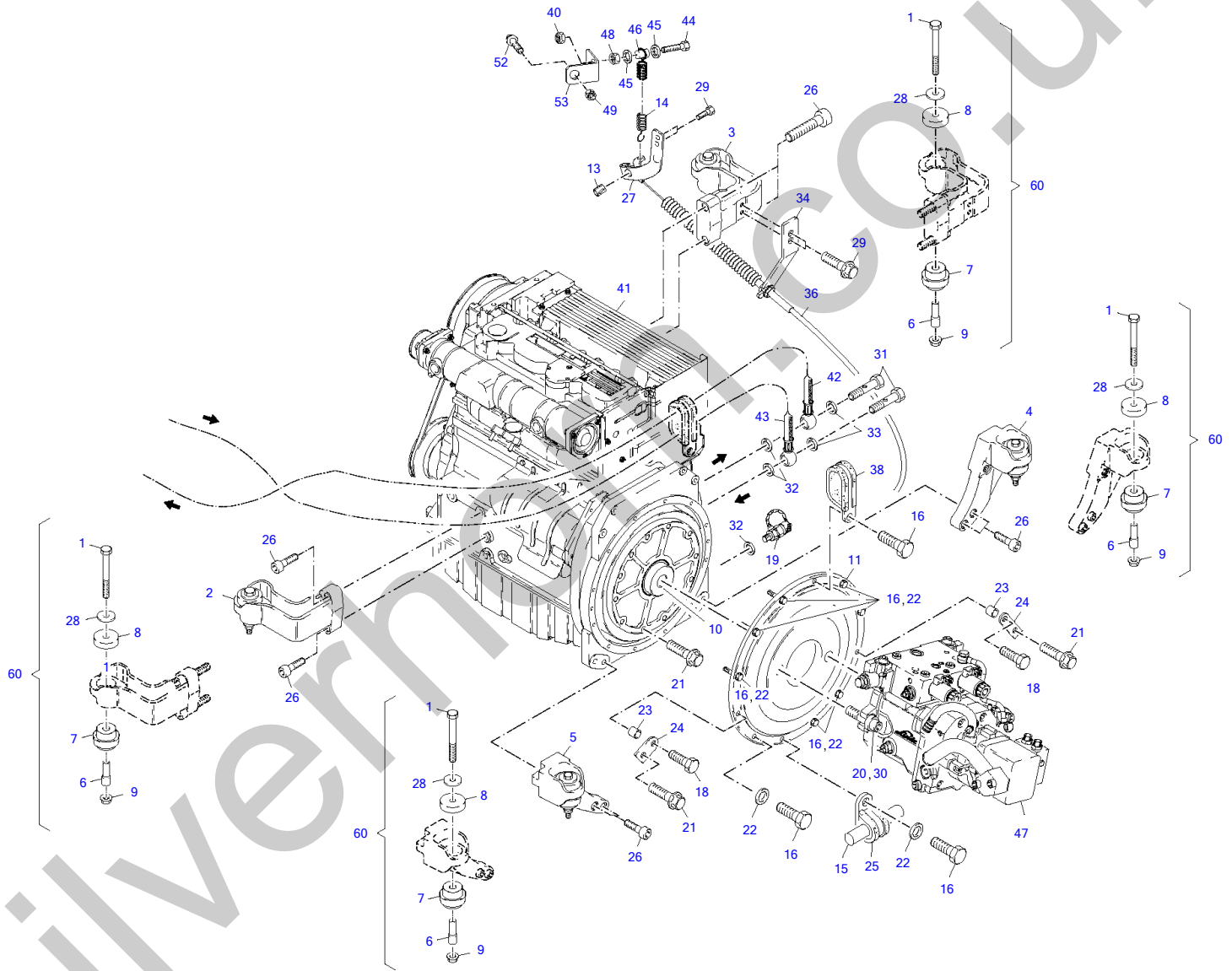
Working Headlight Compl

| Item | Part number | Description | Q'ty | Chan. | Serial No. | Serv. | Remarks |
|------|----------------|-------------------------|------|-------|------------|-------|---------|
| | 8009633 | Working Headlight Compl | 1 | | | | |
| 1 | 8012513 | Rear Working Light | 2 | | | | |
| | 8012513 | Front Working Light | 2 | | | | |
| 6 | 8009485 | Mounting Frame | 1 | | | | |
| 9 | 1359720 | Cover | 2 | | | | |
| 10 | 4674353 | Switch 12V | 2 | | | | |
| 11 | 1718996 | Front Headlights Decal | 1 | | | | |
| 12 | 1719000 | Rear Headlights Decal | 1 | | | | |

Silverhorn.CO.UK

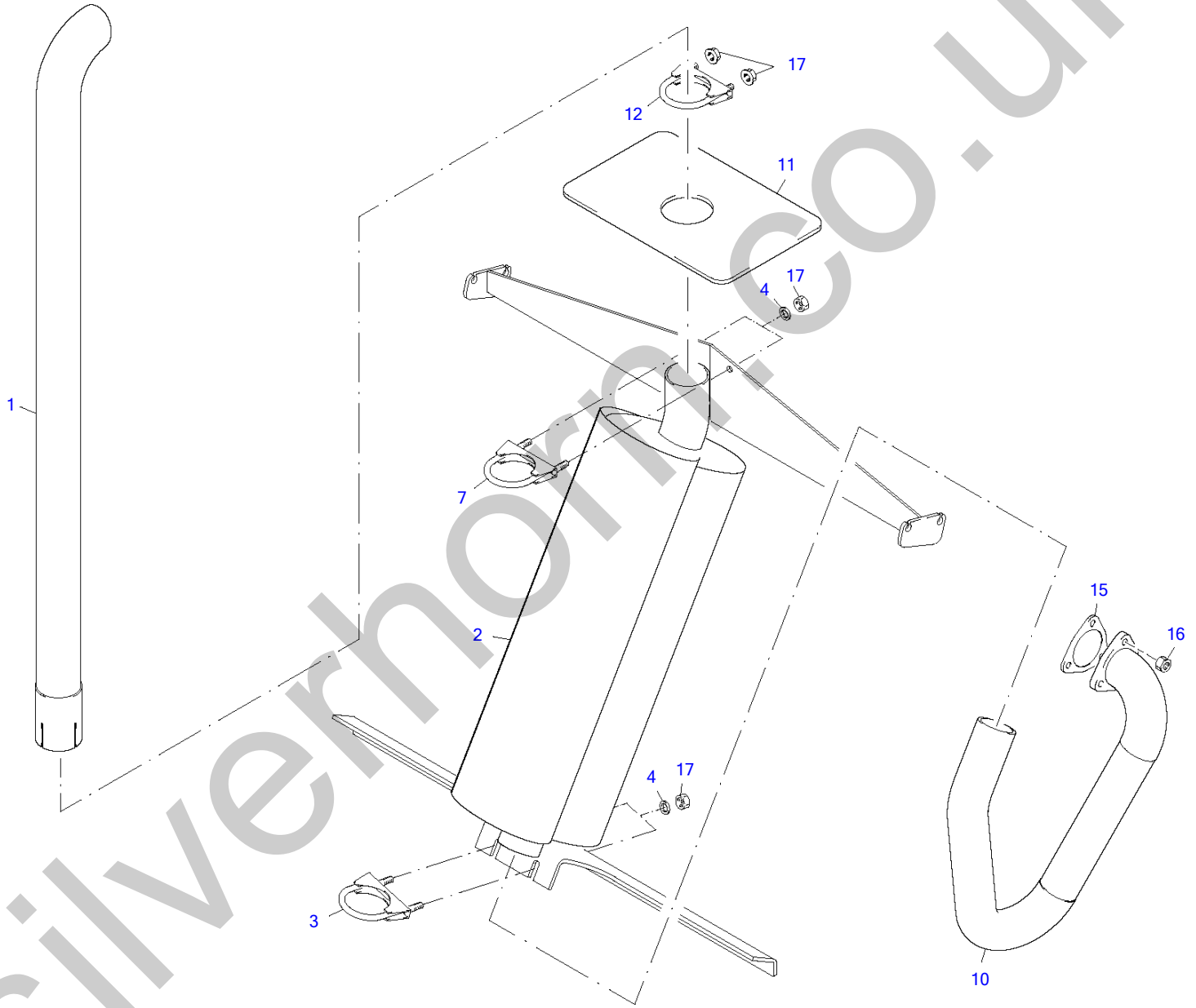


| Item | Part number | Description | Drive Set Q'ty | Chan. | Serial No. | Serv. | Remarks |
|------|----------------|-------------------------|-------------------|-------|------------|-------|---------|
| | 8018547 | Drive Set | 1 | | | | |
| 1 | 8006764 | Front Axle | 1 | | | | |
| 2 | 8006765 | Rear Axle | 1 | | | | |
| 3 | 8014685 | Shaft | 1 | | | | |
| 5 | 8016962 | Oil Motor | 1 | | | | |
| 6 | 3968481 | O-Ring | 1 | | | | |
| 7 | 3758090 | Washer HV | 2 | | | | |
| 8 | 3960381 | Hex Head Screw | 2 | | | | |
| 9 | 0459547 | Galvanized Nut | 32 | | | | |
| 10 | 8008165 | HP Hose 6 X 1350 | 1 | | | | |
| 11 | 4648704 | Screw Connectin A3C | 3 | | | | |
| 12 | 0350898 | Usit Ring U | 6 | | | | |
| 13 | 0862944 | Female Screw A3C | 2 | | | | |
| 14 | 2980827 | Female Screw A3C | 2 | | | | |
| 15 | 8008632 | Hose Line 6 X 3500 | 1 | | | | |
| 16 | 8008176 | Hose Line 6 X 1000 | 2 | | | | |
| 17 | 2903937 | Screw Connection A3C | 1 | | | | |
| 18 | 8002505 | Clamping Yoke | 8 | | | | |
| 19 | 3932934 | Nut | 16 | | | | |
| 20 | 3745733 | HP Hose 6 X 850 | 1 | | | | |
| 21 | 0373588 | Usit Ring U | 2 | | | | |
| 22 | 3960778 | Serrated Nut | 12 | | | | |
| 23 | 3960789 | Serrated Hex Head Screw | 12 | | | | |
| 24 | 3929815 | Female Screw A3C | 1 | | | | |
| 25 | 0858506 | Usit Ring U | 1 | | | | |
| 30 | 1616551 | Screw Coupling | 1 | | | | |
| 36 | 3938849 | Washer A3C | 1 | | | | |
| 37 | 3768296 | Gasket A3C | 2 | | | | |
| 40 | 3945553 | Main Brake Cylinder | 1 | | | | |
| 41 | 8005490 | Inching Actuator | 1 | | | | |



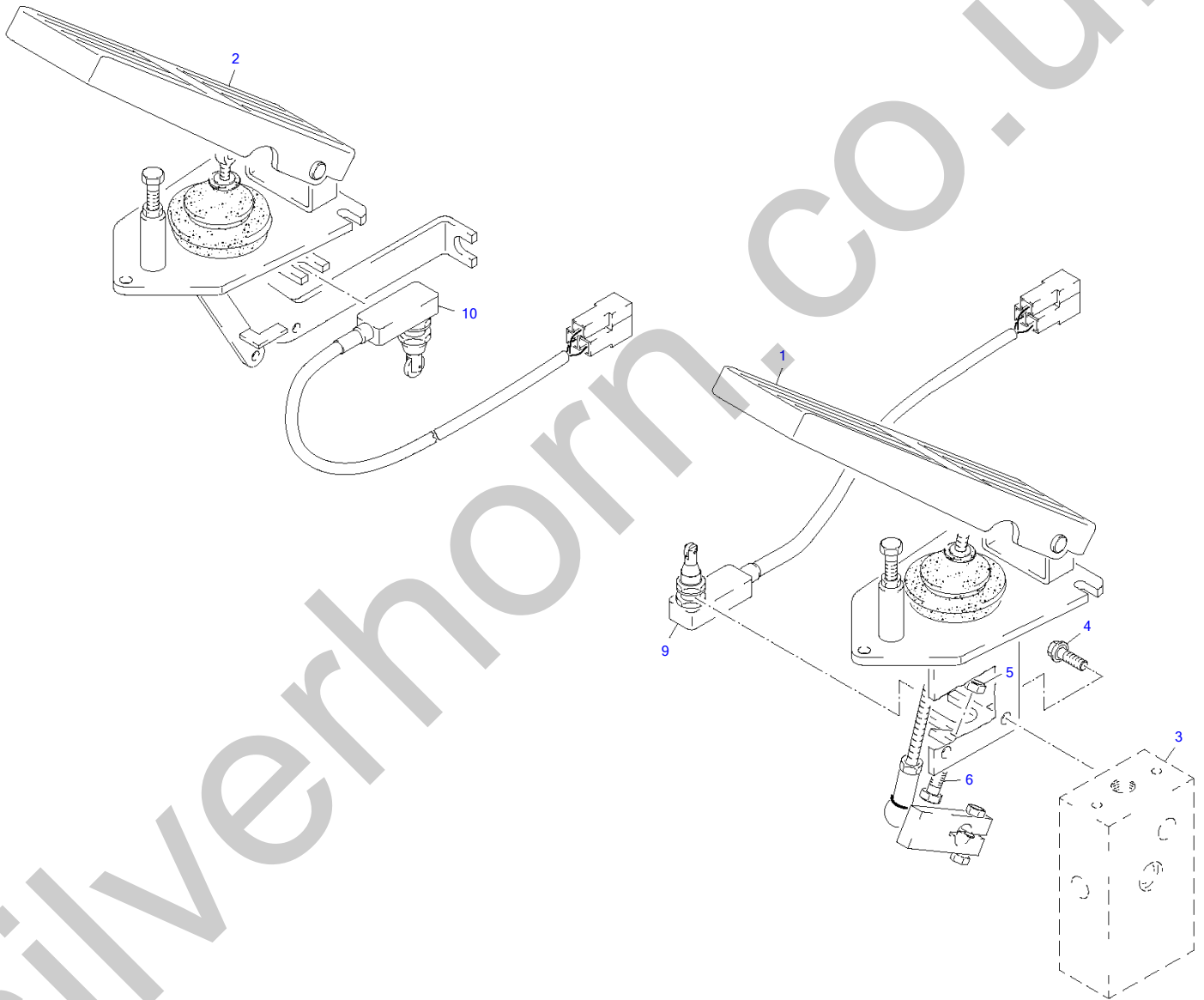
Diesel Engine Compl

| Item | Part number | Description | Q'ty | Chan. | Serial No. | Serv. | Remarks |
|------|----------------|----------------------------|------|-------|------------|-------|---------|
| | 8006826 | Diesel Engine Compl | 1 | | | | |
| 1 | 2441767 | V-Plus Bolt | 4 | | | | |
| 2 | 3923864 | Right Front Engine Support | 1 | | | | |
| 3 | 8003196 | Right Rear Engine Support | 1 | | | | |
| 4 | 3924116 | Rear Engine Support | 1 | | | | |
| 5 | 3924127 | Front Engine Support | 1 | | | | |
| 6 | 3924252 | Sleeve | 4 | | | | |
| 7 | 3924230 | Rubber Element | 4 | | | | |
| 8 | 3924241 | Rubber Washer | 4 | | | | |
| 9 | 2481652 | Serrated Nut | 4 | | | | |
| 10 | 8002592 | Coupling Bowex | 1 | | | | |
| 11 | 8002589 | Flange SAE 4 | 1 | | | | |
| 13 | 2964485 | Threaded Coupling | 1 | | | | |
| 14 | 1016828 | Draw Spring Compl | 1 | | | | |
| 15 | 0908632 | Hose 50 MM | 1 | | | | |
| 16 | 0893372 | Hex Head Screw A3C | 9 | | | | |
| 18 | 0827612 | Hex Head Screw | 2 | | | | |
| 19 | 2444555 | Oil Drain Plug | 1 | | | | |
| 20 | 3962372 | Hex Head V-Plus Screw | 2 | | | | |
| 21 | 0366636 | Self-Locking Screw | 8 | | | | |
| 22 | 2481243 | Serrated Washer A3C | 9 | | | | |
| 23 | 8000004 | Pipe | 2 | | | | |
| 24 | 2443725 | Flat Steel | 2 | | | | |
| 25 | 2987039 | Clip Norma | 1 | | | | |
| 26 | 2905020 | Hex Head Cap Screw | 8 | | | | |
| 27 | 3951879 | Lever | 1 | | | | |
| 28 | 3927131 | Washer HV | 4 | | | | |
| 29 | 2982534 | Serrated Hex Head Screw | 4 | | | | |
| 30 | 2905928 | Washer HV | 2 | | | | |
| 31 | 2471354 | Female Screw A3C | 2 | | | | |
| 32 | 0302061 | Gasket A | 3 | | | | |
| 33 | 0462780 | Usit Ring U | 2 | | | | |
| 34 | 2961788 | Holder | 1 | | | | |
| 36 | 3950527 | Bowden Cable | 1 | | | | |
| 38 | 8000103 | Clip Norma | 1 | | | | |
| 40 | 0487336 | Hex Nut A3C | 1 | | | | |
| 41 | 8015804 | Deutz Engine 12V | 1 | | | | |
| 42 | 3933888 | Heater Hose 13 X 1125 | 1 | | | | |
| 43 | 3933899 | Heater Hose 13 X 1200 | 1 | | | | |
| 44 | 0893270 | Hex Head Screw A3C | 1 | | | | |
| 45 | 2992014 | Serrated Washer A3C | 2 | | | | |
| 46 | 8009224 | Hose 7 MM | 1 | | | | |
| 47 | 8017516 | Oil Pressure Pump Compl | 1 | | | | |
| 48 | 0893178 | Hex Nut A3C | 1 | | | | |
| 49 | 0893167 | Hex Nut A3C | 1 | | | | |
| 52 | 2449607 | Serrated Hex Head Screw | 1 | | | | |
| 53 | 8016137 | Angle | 1 | | | | |
| 60 | 8011971 | Rubber Elements | 4 | | | | |



| Item | Part number | Description | Exhaust System | | | | Remarks |
|------|----------------|---------------------|----------------|-------|------------|-------|---------|
| | | | Q'ty | Chan. | Serial No. | Serv. | |
| | 8008274 | Exhaust System | 1 | | | | |
| 1 | 2967182 | Pipe | 1 | | | | |
| 2 | 8008418 | Sound Absorber | 1 | | | | |
| 3 | 2981851 | Bracket Clip | 1 | | | | |
| 4 | 2481254 | Serrated Washer A3C | 4 | | | | |
| 7 | 3768343 | Bracket Clip | 1 | | | | |
| | 1686997 | Bracket Clip | 1 | | | | |
| 10 | 3928110 | Exhaust Pipe | 1 | | | | |
| 11 | 8015250 | Insulation Board | 1 | | | | |
| 12 | 3768343 | Bracket Clip | 1 | | | | |
| 15 | 3604153 | Gasket | 1 | | | | |
| 16 | 0409081 | Hex Nut | 3 | | | | |
| 17 | 1722787 | Serrated Nut | 6 | | | | |

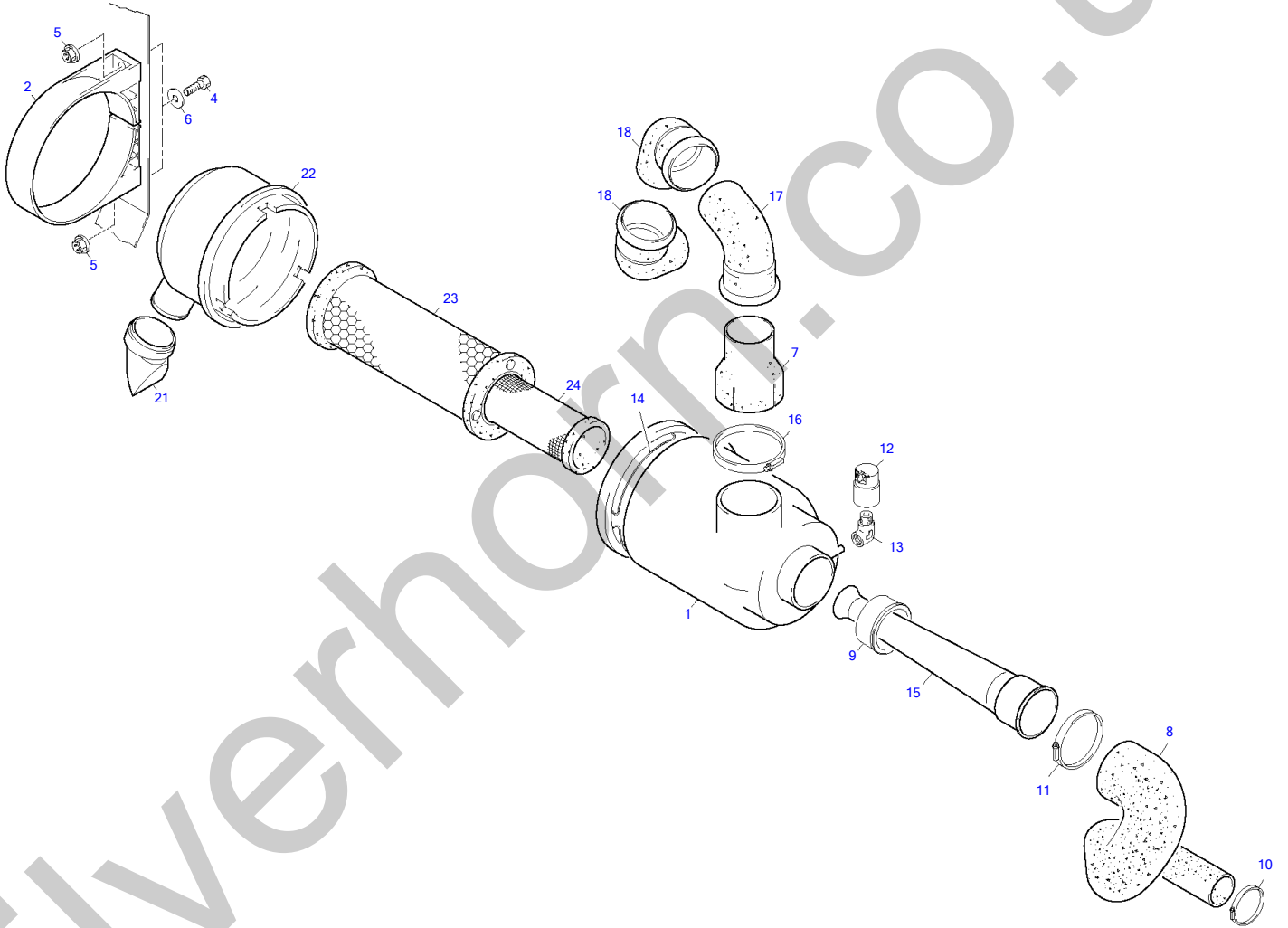
Silverhorn.CO.UK



Inching Actuator

| Item | Part number | Description | Q'ty | Chan. | Serial No. | Serv. | Remarks |
|------|----------------|-------------------------|------|-------|------------|-------|---------|
| | 8005490 | Inching Actuator | 1 | | | | |
| 1 | 8005599 | Inching Actuator | 1 | | | | |
| 2 | 3952870 | Gas Control | 1 | | | | |
| 3 | 8005560 | Brake Throttle Valve | 1 | | | | |
| 4 | 2982534 | Serrated Hex Head Screw | 2 | | | | |
| 5 | 0893178 | Hex Nut A3C | 1 | | | | |
| 6 | 8005597 | Adjusting Screw | 1 | | | | |
| 9 | 3989759 | Switch with Cable | 1 | | | | |
| 10 | 3989748 | Switch with Cable Compl | 1 | | | | |

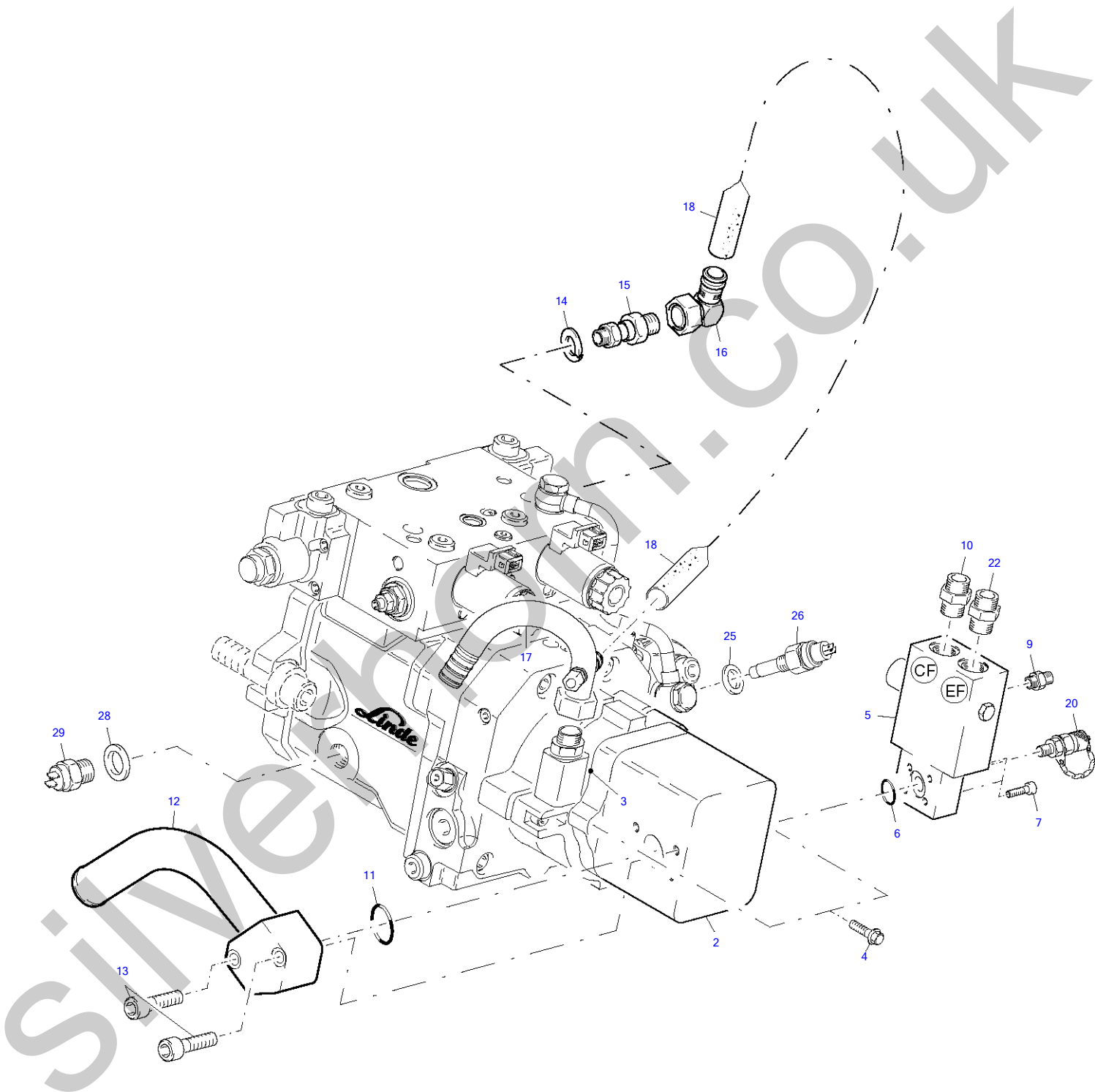
Silverhorn.CO.UK



Air Filter System

| Item | Part number | Description | Q'ty | Chan. | Serial No. | Serv. | Remarks |
|------|----------------|------------------------|------|-------|------------|-------|---------|
| | 3944347 | Air Filter System | 1 | | | | |
| 1 | 2981099 | Air Filter | 1 | | | | |
| | 2995357 | Housing | 1 | | | | |
| 2 | 3929780 | Clamp | 1 | | | | |
| 4 | 1307079 | Hex Head Screw A3C | 2 | | | | |
| 5 | 1722787 | Serrated Nut | 2 | | | | |
| 6 | 2481254 | Serrated Washer A3C | 2 | | | | |
| 7 | 3944336 | Adapter | 1 | | | | |
| 8 | 3931079 | Manifold | 1 | | | | |
| 9 | 2997780 | Reducing Ring | 1 | | | | |
| 10 | 1349886 | Clamp | 1 | | | | |
| 11 | 3745379 | Clip Norma | 1 | | | | |
| 12 | 2913166 | Low Pressure Indicator | 1 | | | | |
| 13 | 2988212 | Angular Connection | 1 | | | | |
| 14 | 2997326 | Repair Bracket | 3 | | | | |
| 15 | 2969651 | Pipe | 1 | | | | |
| 16 | 1349717 | Clamp | 1 | | | | |
| 17 | 2992956 | Pipe Bend | 1 | | | | |
| 18 | 2992967 | Pipe Bend | 2 | | | | |
| 21 | 2981135 | Air Filter Valve | 1 | | | | |
| 22 | 2984649 | Lid | 1 | | | | |
| 23 | 2981113 | Filter Element | 1 | | | | |
| 24 | 2981124 | Filter Element | 1 | | | | |

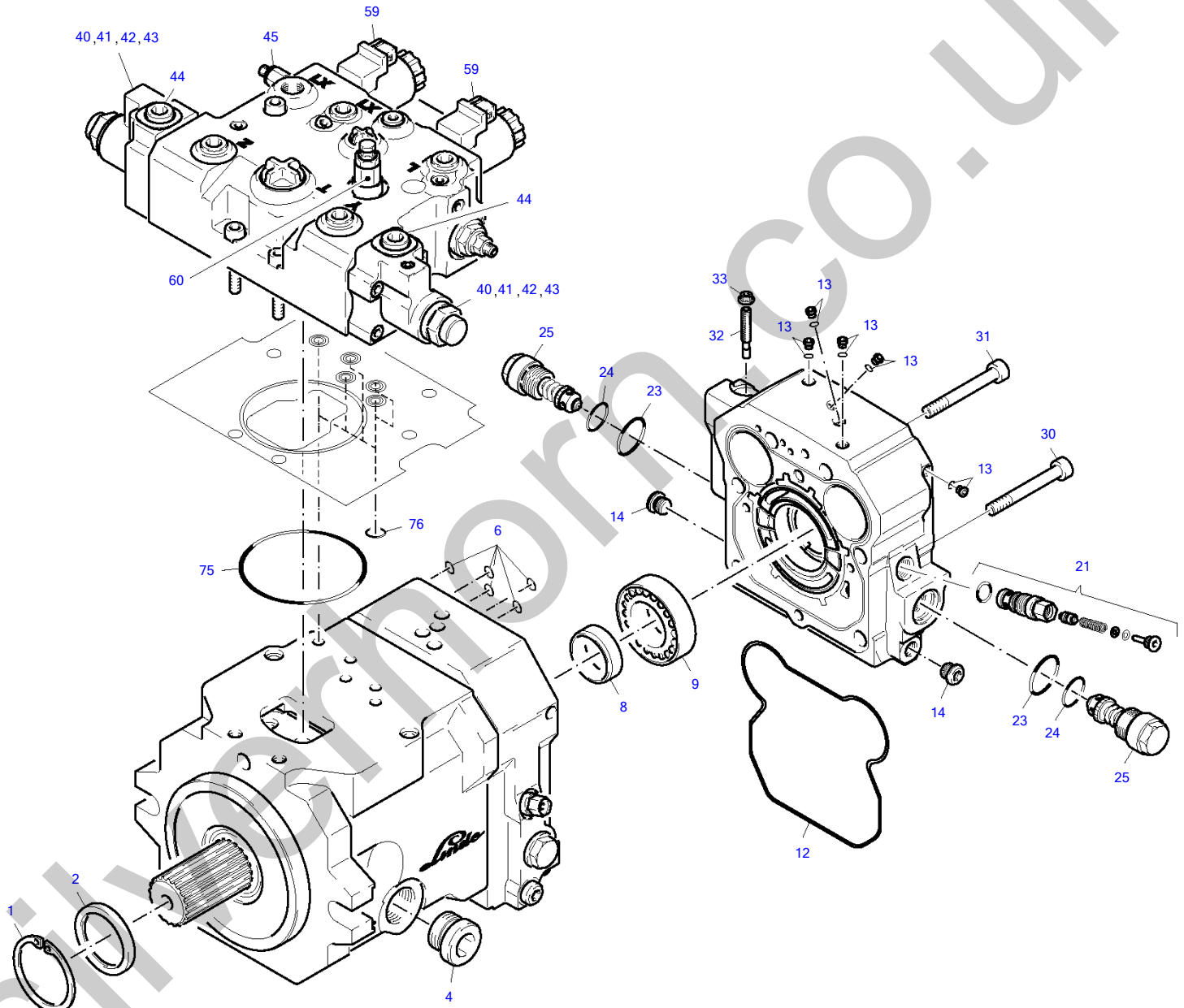
Silverhorn.CO.UK



Oil Pressure Pump Compl

| Item | Part number | Description | Q'ty | Chan. | Serial No. | Serv. | Remarks |
|------|----------------|--------------------------|------|-------|------------|-------|---------|
| | 8017516 | Oil Pressure Pump Compl | 1 | | | | |
| 1 | 8016961 | Oil Pressure Pump 12V | 1 | | | | |
| 2 | 8018516 | Oil Pressure Pump | 1 | | | | |
| 3 | 1655069 | O-Ring | 1 | | | | |
| 4 | 8002165 | Serrated Hex Head Screw | 2 | | | | |
| 5 | 8010564 | Priority Valve | 1 | | | | |
| 6 | 0351219 | O-Ring | 1 | | | | |
| 7 | 1658131 | Hex Head Cap Screw | 4 | | | | |
| 9 | 2656664 | Screw Connection A3C | 1 | | | | |
| 10 | 2481696 | Screw Connection A3C | 1 | | | | |
| 11 | 1617450 | O-Ring | 1 | | | | |
| 12 | 8010031 | Aspiration Mouth | 1 | | | | |
| 13 | 0892962 | Hex Head Cap Screw | 2 | | | | |
| 14 | 2980792 | Usit Ring U | 1 | | | | |
| 15 | 8017417 | Non-Return Valve Cone | 1 | | | | |
| 16 | 8017401 | Angular Connection Compl | 1 | | | | |
| 17 | 8010032 | Distributor A3C | 1 | | | | |
| 18 | 8006759 | LP Hose 300 MM | 1 | | | | |
| 20 | 2479669 | Screw Coupling A3C | 1 | | | | |
| 22 | 1686475 | Screw Connection A3C | 1 | | | | |
| 25 | 0373588 | Usit Ring U | 1 | | | | |
| 26 | 1749244 | Temperature Switch | 1 | | | | |
| 28 | 2980792 | Usit Ring U | 1 | | | | |
| 29 | 2989575 | Temperature Switch | 1 | | | | |

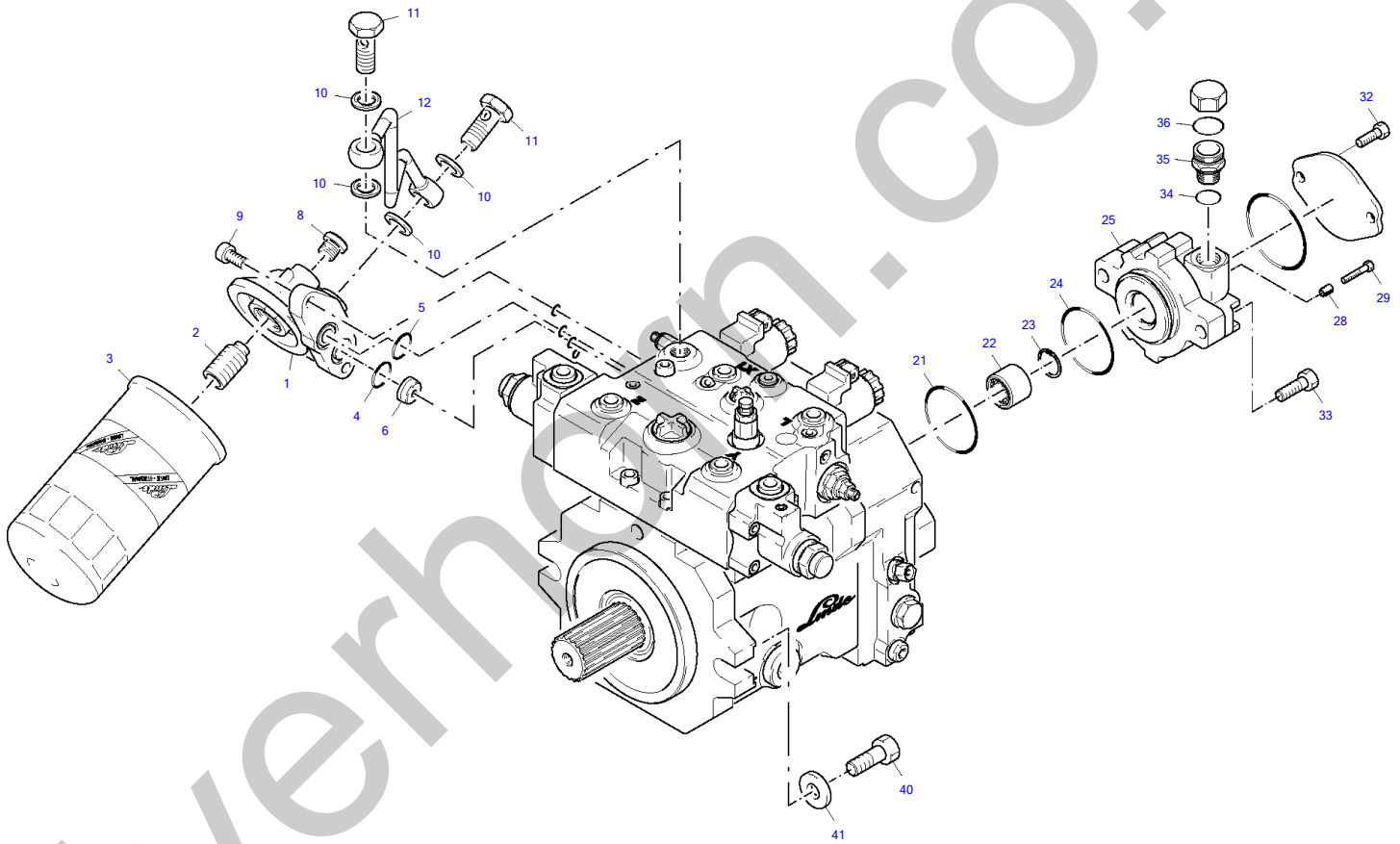
Silverhorn.CO.UK



Oil Pressure Pump 12V

| Item | Part number | Description | Q'ty | Chan. | Serial No. | Serv. | Remarks |
|------|----------------|------------------------|------|-------|------------|-------|---------|
| | 8016961 | Oil Pressure Pump 12V | 1 | | | | |
| 1 | 0442786 | Circlip Tone 400 | 1 | | | | |
| 2 | 3987417 | Rotary Shaft Seal | 1 | | | | |
| 4 | 0826100 | Screw Plug | 1 | | | | |
| 6 | 0848366 | O-Ring | 5 | | | | |
| 8 | 8011851 | Race Ball | 1 | | | | |
| 9 | 1306443 | Conical Bearing | 1 | | | | |
| | | Porting Block | | | | | |
| 12 | 8019341 | Gasket | 1 | | | | |
| 13 | 8006097 | Screw Plug | 5 | | | | |
| 14 | 0864719 | Screw Plug | 2 | | | | |
| 21 | 3986541 | Feed Pressure Valve | 1 | | | | |
| 23 | 2990794 | O-Ring | 2 | | | | |
| 24 | 8006058 | O-Ring | 2 | | | | |
| 25 | 8011833 | Pressure Control Valve | 2 | | | | |
| 30 | 1722163 | Hex Head Cap Screw | 1 | | | | |
| 31 | 3845438 | Hex Head Cap Screw | 1 | | | | |
| 32 | 8019296 | Threaded Pin | 1 | | | | |
| 33 | 1619612 | Nut | 1 | | | | |
| | | Governor | | | | | |
| 40 | 8019288 | Lid | 2 | | | | |
| 41 | 0848355 | O-Ring | 2 | | | | |
| 42 | 0897003 | O-Ring | 2 | | | | |
| 43 | 8006088 | Screw Plug | 2 | | | | |
| 44 | 8006025 | Reinforcement | 2 | | | | |
| 45 | 8006069 | Feed Pressure Valve | 1 | | | | |
| 59 | 8017692 | Control Magnet | 2 | | | | |
| 60 | 8019291 | Pressure Control Valve | 1 | | | | |
| 75 | 0848582 | O-Ring | 1 | | | | |
| 76 | 8006099 | O-Ring | 5 | | | | |

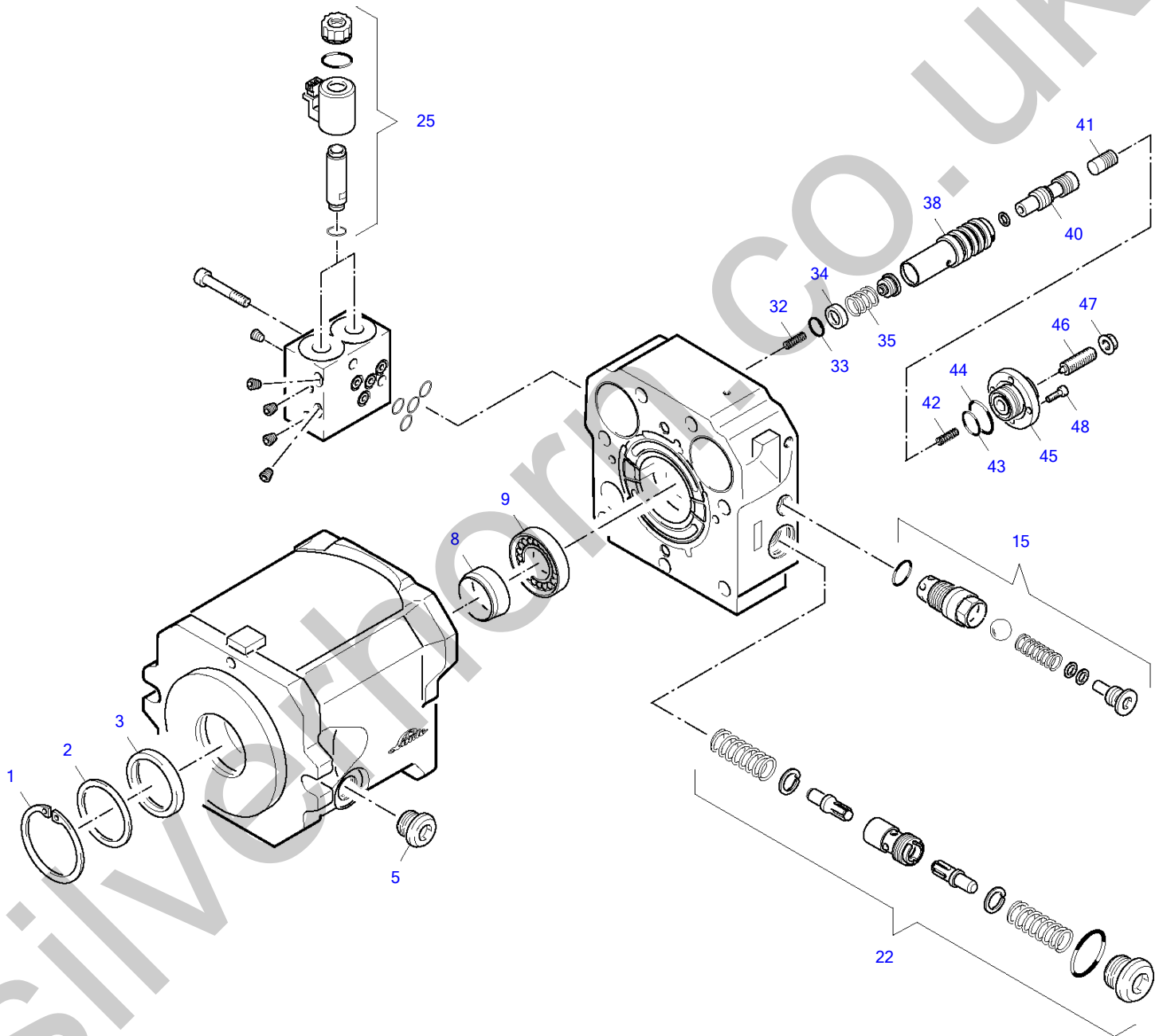
Silverhorn.CO.UK



Oil Pressure Pump 12V Sec 2

| Item | Part number | Description | Q'ty | Chan. | Serial No. | Serv. | Remarks |
|------|----------------|-----------------------|------|-------|------------|-------|---------|
| | 8016961 | Oil Pressure Pump 12V | 1 | | | | |
| 1 | 8019285 | Filter Flange | 1 | | | | |
| 2 | 8011841 | Threaded Bush | 1 | | | | |
| 3 | 8018979 | Filter | 2 | | | | |
| 4 | 1011243 | O-Ring | 1 | | | | |
| 5 | 8019297 | O-Ring | 1 | | | | |
| 6 | 8019338 | Nozzle | 1 | | | | |
| 8 | 0864719 | Screw Plug | 1 | | | | |
| 9 | 0893009 | Hex Head Cap Screw | 2 | | | | |
| 10 | 0373588 | Usit Ring U | 4 | | | | |
| 11 | 0311528 | Female Screw A3C | 2 | | | | |
| 12 | 8019340 | Conduit | 1 | | | | |
| 21 | 8006076 | O-Ring | 1 | | | | |
| 22 | 8019391 | Coupling Sleeve | 1 | | | | |
| 23 | 1673367 | Circlip Tone 400 | 1 | | | | |
| 24 | 8019283 | O-Ring | 1 | | | | |
| 25 | 8049400 | Feed Pump 11teeth | 1 | | | | |
| | 8019401 | Feed Pump 13teeth | 1 | | | | |
| 28 | 8019396 | Adaptor Sleeve | 1 | | | | |
| 29 | 1658131 | Hex Head Cap Screw | 1 | | | | |
| 32 | 0893338 | Hex Head Screw A3C | 2 | | | | |
| 33 | 1306954 | Hex Head Cap Screw | 2 | | | | |
| 34 | 3971942 | O-Ring | 1 | | | | |
| 35 | 8019403 | Screw-in Piece | 1 | | | | |
| 36 | 8019402 | O-Ring | 1 | | | | |
| 40 | 3962372 | Hex Head V-Plus Screw | 2 | | | | |
| 41 | 2905928 | Washer HV | 2 | | | | |
| | 8019292 | Seal Kit Compl | 1 | | | | |

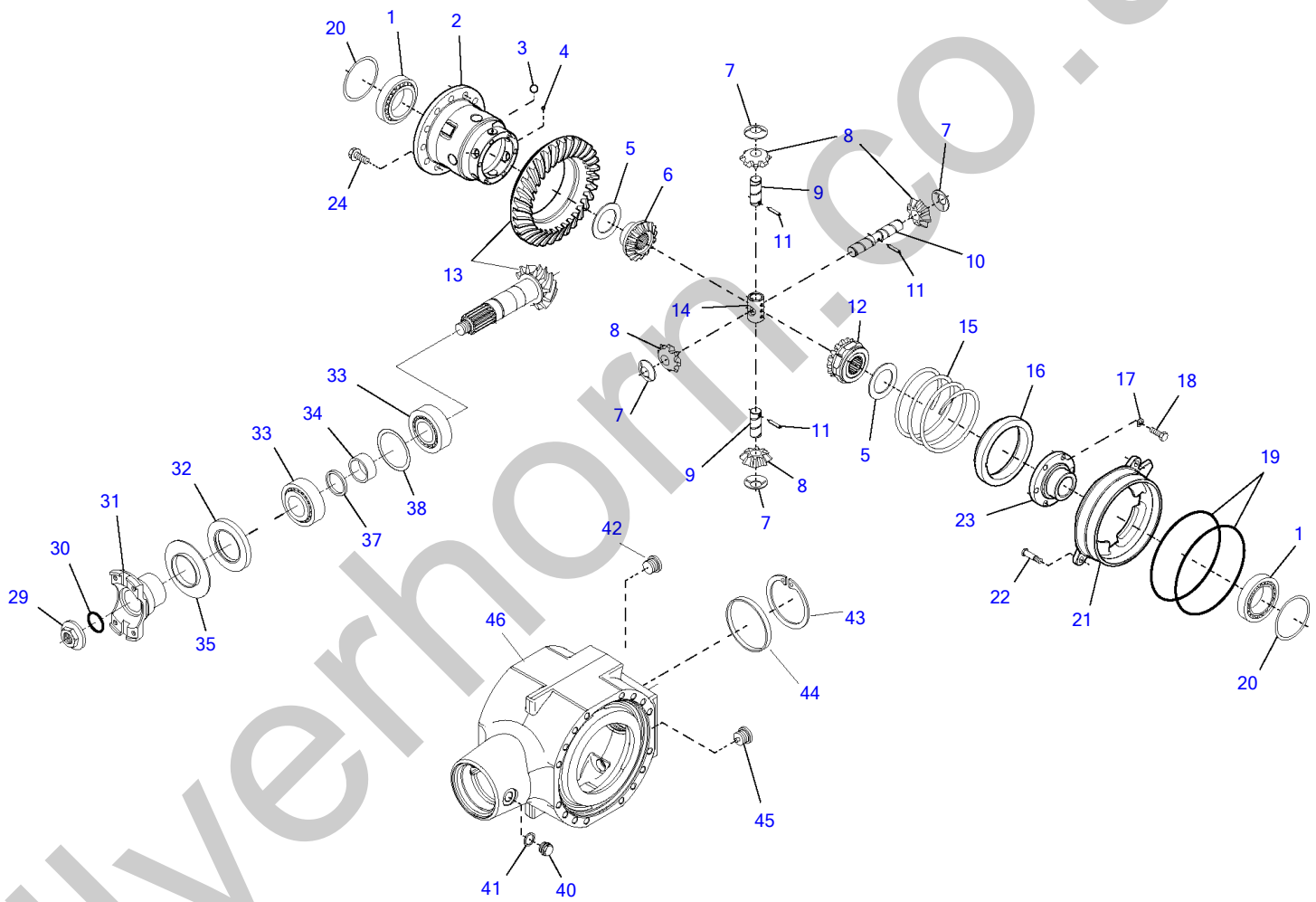
Silverhorn.CO.UK



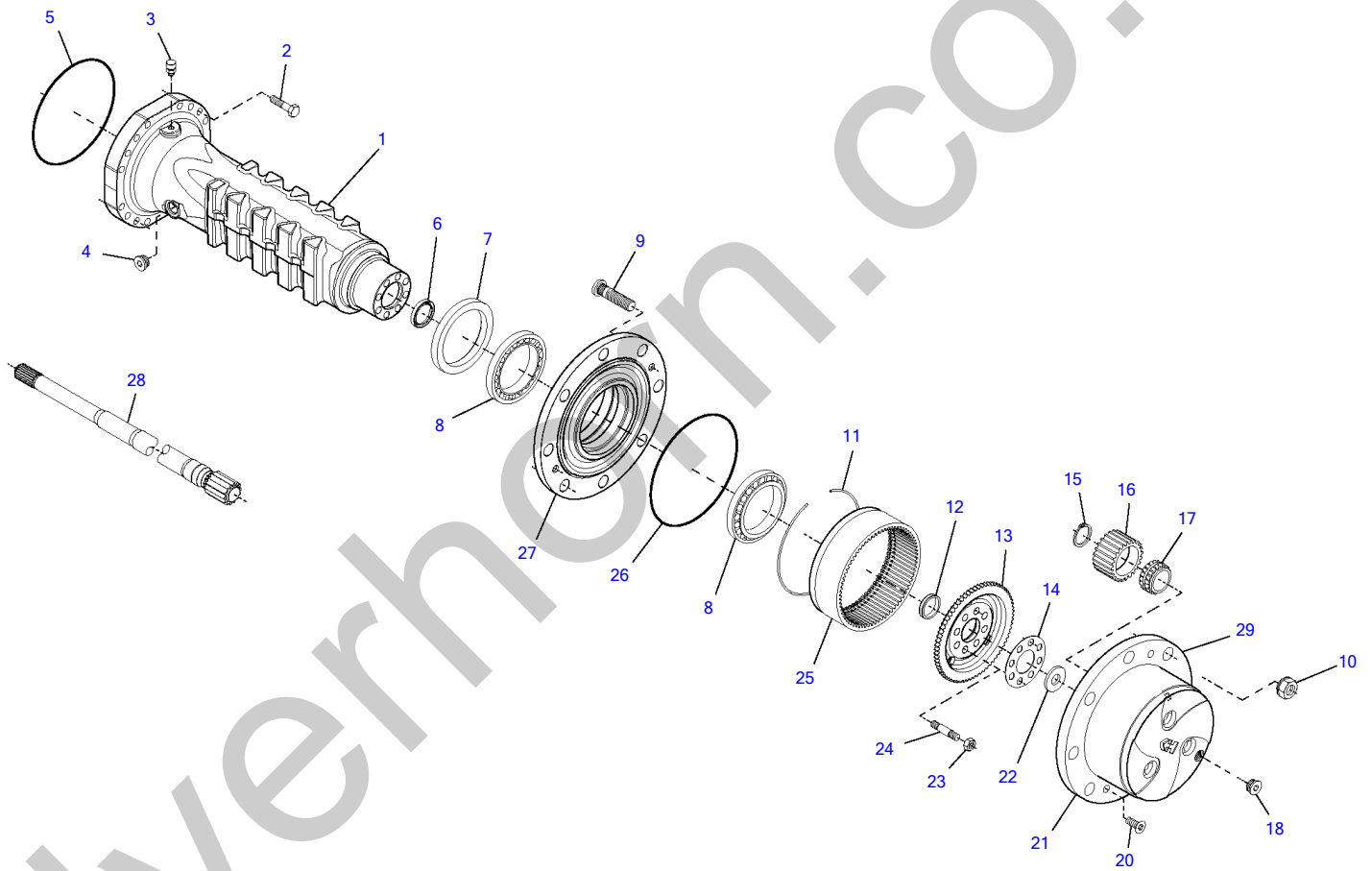
OilMotor 12V

| Item | Part number | Description | Q'ty | Chan. | Serial No. | Serv. | Remarks |
|------|----------------|------------------------|------|-------|------------|-------|---------|
| | 8016962 | Oilmotor 12V | 1 | | | | |
| 1 | 1309377 | Circlip Tone 400 | 1 | | | | |
| 2 | 8019431 | Shim | 1 | | | | |
| 3 | 8019433 | Oil Seal | 1 | | | | |
| 5 | 1631389 | Screw Plug A3C | 1 | | | | |
| 8 | 4607749 | Race Ball | 1 | | | | |
| 9 | 4607750 | Conical Bearing | 1 | | | | |
| 15 | 3963975 | Pressure Control Valve | 1 | | | | |
| 22 | 1722856 | Switch-over Valve | 1 | | | | |
| 25 | 8017692 | Control Magnet | 2 | | | | |
| 32 | 3987428 | Pressure Spring | 1 | | | | |
| 33 | 3987439 | Circlip | 1 | | | | |
| 34 | 3987440 | Spring Plate | 1 | | | | |
| 35 | 3987451 | Pressure Spring | 1 | | | | |
| 38 | 3987473 | Bush | 1 | | | | |
| 40 | 3987484 | Pilot | 1 | | | | |
| 41 | 3987495 | Piston | 1 | | | | |
| 42 | 3987508 | Pressure Spring | 1 | | | | |
| 43 | 1617472 | O-Ring | 1 | | | | |
| 44 | 3971942 | O-Ring | 1 | | | | |
| 45 | 3988098 | Lid | 1 | | | | |
| 46 | 3987519 | Threaded Pin | 1 | | | | |
| 47 | 1619612 | Nut | 1 | | | | |
| 48 | 2658031 | Hex Head Cap Screw | 4 | | | | |
| | 8019436 | Seal Kit Compl | 1 | | | | |

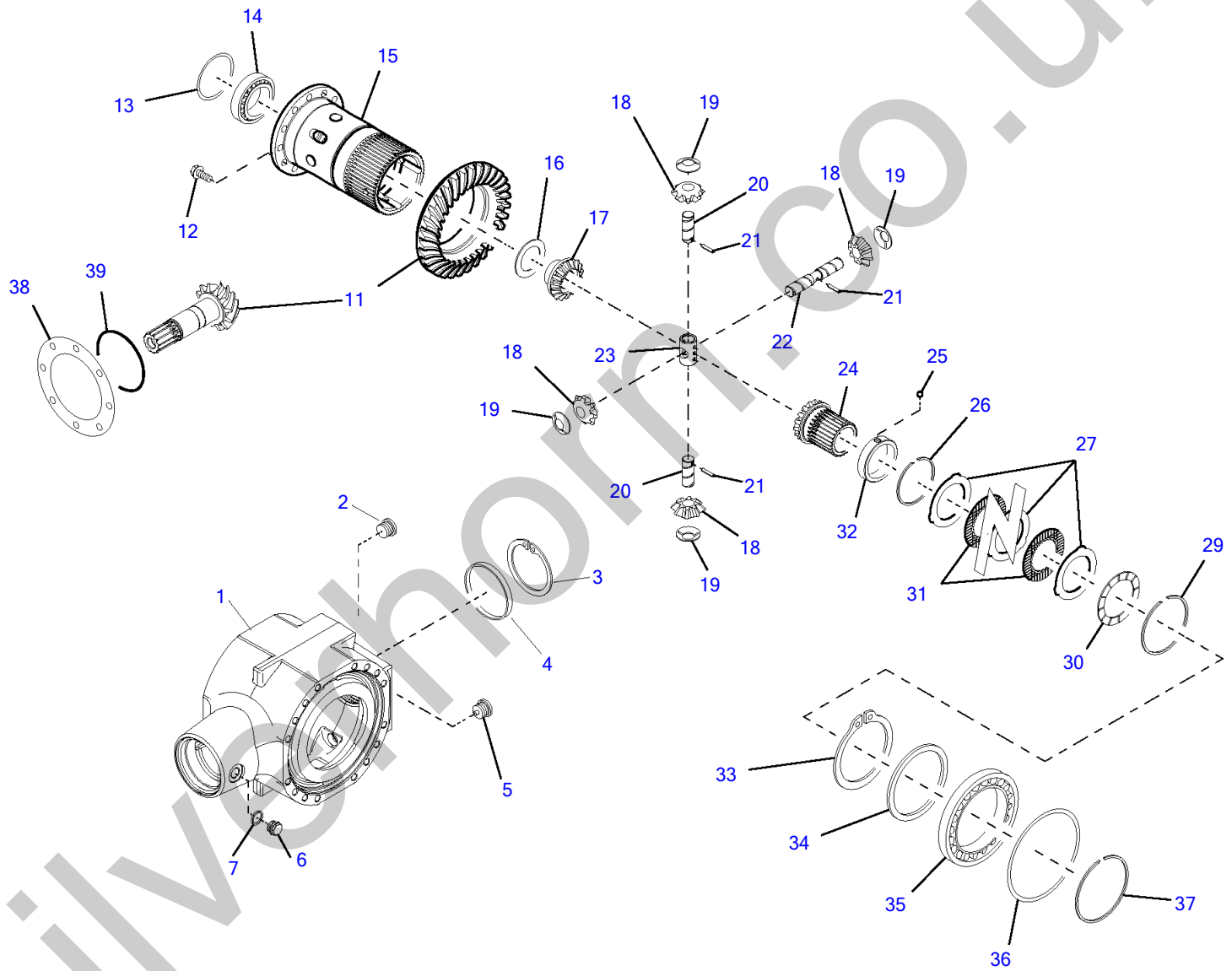
Silverhorn.CO.UK



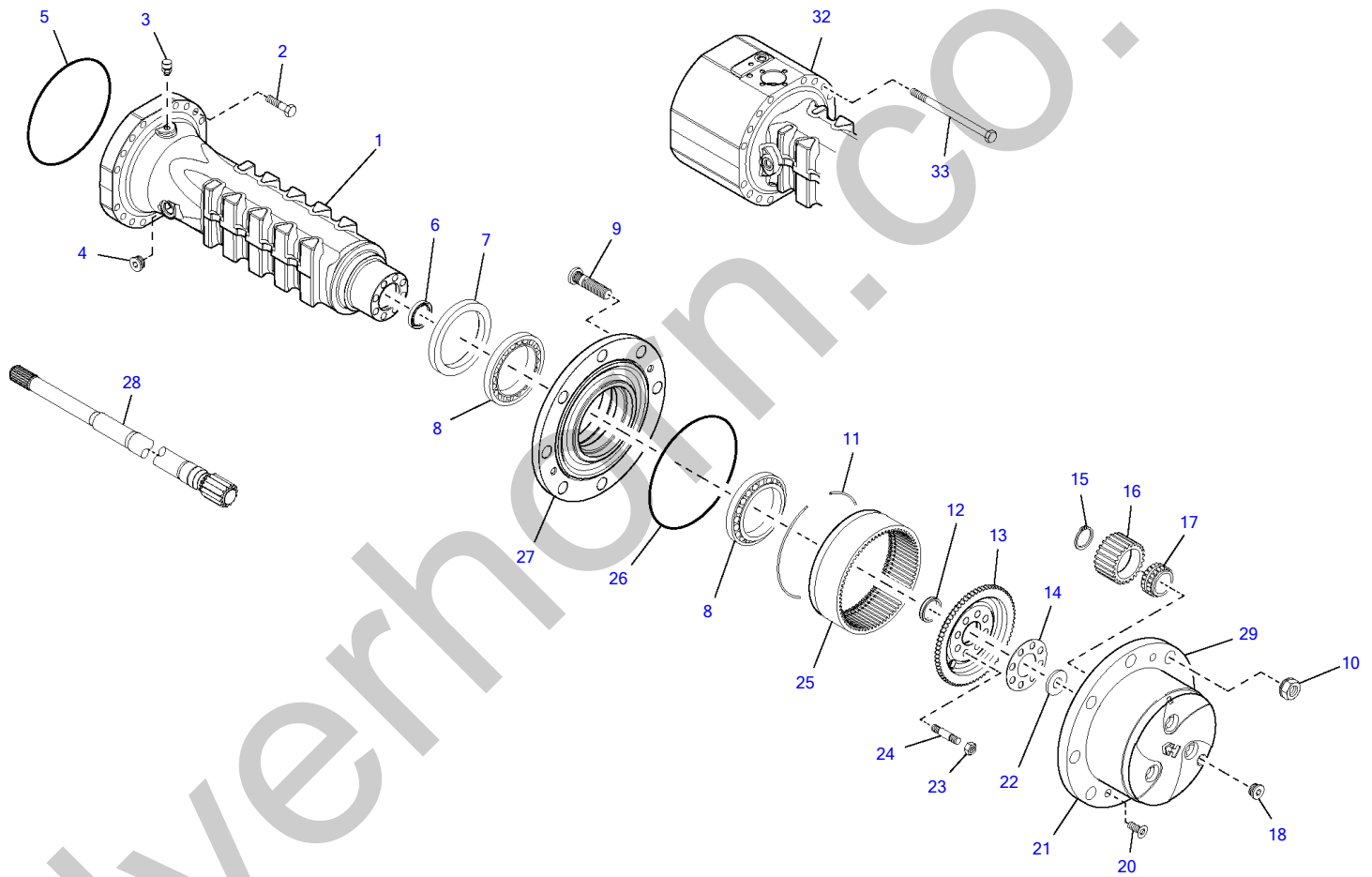
| Front Axle | | | | | | |
|------------|----------------|-------------------------|------|-------|------------|---------------|
| Item | Part number | Description | Q'ty | Chan. | Serial No. | Serv. Remarks |
| | 8006764 | Front Axle | 1 | | | |
| 1 | 0358169 | Conical Bearing | 2 | | | |
| 2 | 8009243 | Differential Housing | 1 | | | |
| 3 | 3984118 | Ball | 6 | | | |
| 4 | 8009244 | Ball | 1 | | | |
| 5 | 2983273 | Washer | 2 | | | |
| 6 | 2983262 | Side Shaft Wheel | 1 | | | |
| 7 | 2915464 | Washer | 4 | | | |
| 8 | 2915475 | Planet Wheel | 4 | | | |
| 9 | 8009245 | Bolt | 2 | | | |
| 10 | 8009246 | Bolt | 1 | | | |
| 11 | 0443163 | Adaptor Sleeve | 3 | | | |
| 12 | 8009247 | Side Shaft Wheel | 1 | | | |
| 13 | 8009248 | Ring Gear & Pinion | 1 | | | |
| 14 | 8009249 | Cross Piece | 1 | | | |
| 15 | 8009250 | Spring | 1 | | | |
| 16 | 8009251 | Control Sleeve | 1 | | | |
| 17 | 8010316 | Washer | 6 | | | |
| 18 | 1092795 | Hex Head Screw | 6 | | | |
| 19 | 8010106 | O-Ring | 2 | | | |
| 20 | 8009252 | Shim | 2 | | | |
| | 8009253 | Shim | 2 | | | |
| | 8009254 | Shim | 2 | | | |
| | 8009255 | Shim | 2 | | | |
| 21 | 8009256 | Piston | 1 | | | |
| 22 | 8010255 | Adjusting Screw | 2 | | | |
| 23 | 8009257 | Lid | 1 | | | |
| 24 | 8010239 | V-Plus Bolt with Flange | 12 | | | |
| 29 | 2902754 | Nut | 1 | | | |
| 30 | 0342149 | O-Ring | 1 | | | |
| 31 | 8009664 | Flange | 1 | | | |
| 33 | 8009421 | Conical Bearing | 2 | | | |
| 34 | 8009265 | Spacer Ring | 1 | | | |
| 35 | 2902469 | Guard Plate | 1 | | | |
| 37 | 8009266 | Shim | 1 | | | |
| | 8009267 | Shim | 1 | | | |
| | 8009268 | Shim | 1 | | | |
| | 8009269 | Shim | 1 | | | |
| | 8009270 | Shim | 1 | | | |
| | 8009271 | Shim | 1 | | | |
| | 8009272 | Shim | 1 | | | |
| | 8009273 | Shim | 1 | | | |
| | 8009274 | Shim | 1 | | | |
| 37 | 8009275 | Shim | 1 | | | |
| | 8009276 | Shim | 1 | | | |
| | 8009277 | Shim | 1 | | | |
| | 8009278 | Shim | 1 | | | |
| | 8009279 | Shim | 1 | | | |
| | 8009280 | Shim | 1 | | | |
| 38 | 8009547 | Shim | 1 | | | |
| | 8009548 | Shim | 1 | | | |
| | 8009549 | Shim | 1 | | | |
| 40 | 8010371 | Screw Plug | 1 | | | |
| 41 | 3981922 | Gasket | 1 | | | |
| 42 | 2655505 | Screw Plug A3C | 1 | | | |
| 43 | 2401407 | Circlip | 1 | | | |
| 44 | 8009656 | Plug | 1 | | | |
| 45 | 0356178 | Screw Plug A3C | 1 | | | |
| 46 | 8009242 | Housing | 1 | | | |



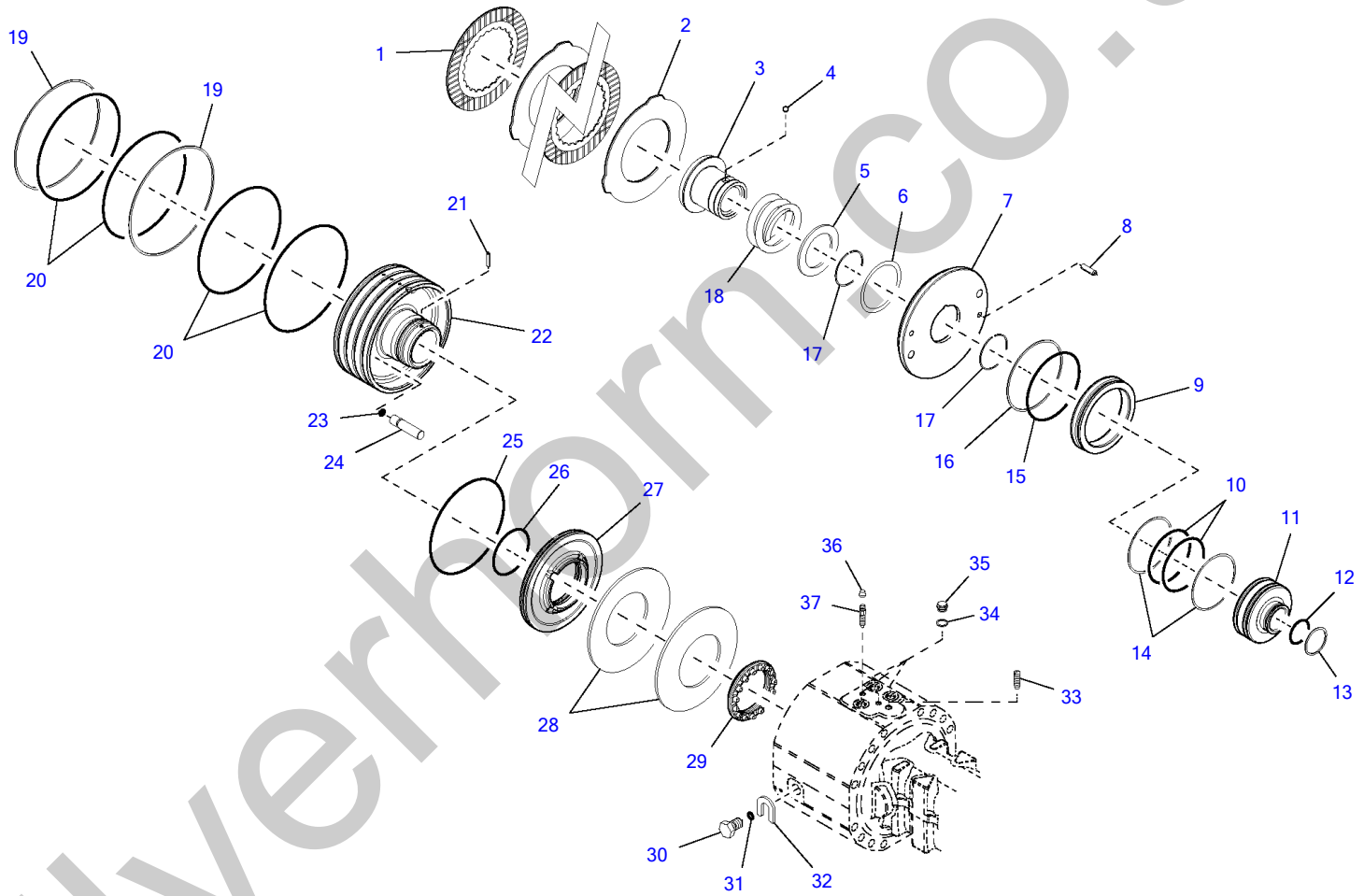
| Item | Part number | Description | Axle Pipe | | | |
|------|-------------|----------------------|-----------|-------|------------|---------------|
| | | | Q'ty | Chan. | Serial No. | Serv. Remarks |
| 1 | 8009258 | Axle Pipe | 2 | | | |
| 2 | 8010322 | Hex Head Screw | 32 | | | |
| 3 | 3968889 | Breather | 1 | | | |
| 4 | 2655505 | Screw Plug A3C | 2 | | | |
| 5 | 8010108 | O-Ring | 2 | | | |
| 6 | 2915782 | Rotary Shaft Seal | 2 | | | |
| 7 | 8010249 | Rotary Shaft Seal | 2 | | | |
| 8 | 8010027 | Ext Part Bearing | 4 | | | |
| | 8010028 | Int. Prt Bearing | 4 | | | |
| 9 | 8009470 | Wheel Bolt | 16 | | | |
| 10 | 8006827 | Spherical Collar Nut | 16 | | | |
| 11 | 8010257 | Snap Ring | 2 | | | |
| 12 | 8009457 | Centering Ring | 2 | | | |
| 13 | 8009259 | Side Shaft Wheel | 2 | | | |
| 14 | 8009260 | Plate | 2 | | | |
| 15 | 8010258 | Circlip Tone 400 | 6 | | | |
| 16 | 3983742 | Planet Wheel | 6 | | | |
| 17 | 8010025 | Roller Bearing | 6 | | | |
| 18 | 8010263 | Screw Plug A3C | 2 | | | |
| 20 | 0482831 | Countersunk Screw | 4 | | | |
| 21 | 8009261 | Planetary Housing | 2 | | | |
| 22 | 3983764 | Washer | 2 | | | |
| 23 | 8010264 | Nut | 16 | | | |
| 24 | 8010303 | Stud | 16 | | | |
| 25 | 3983719 | Gear Rim | 2 | | | |
| 26 | 2902163 | O-Ring | 2 | | | |
| 27 | 8009262 | Wheel Hub | 2 | | | |
| 28 | 8009458 | Axle Shaft | 2 | | | |
| 29 | 8009264 | Planetary Housing | 2 | | | |



| Rear Axle | | | | | | |
|-----------|-------------|-------------------------|------|-------|------------|---------------|
| Item | Part number | Description | Q'ty | Chan. | Serial No. | Serv. Remarks |
| | 8006765 | Rear Axle | 1 | | | |
| 1 | 8009285 | Housing | 1 | | | |
| 2 | 2655505 | Screw Plug A3C | 1 | | | |
| 3 | 2401407 | Circlip | 1 | | | |
| 4 | 8009656 | Plug | 1 | | | |
| 5 | 0356178 | Screw Plug A3C | 1 | | | |
| 11 | 8009394 | Ring Gear & Pinion | 1 | | | |
| 12 | 8010239 | V-Plus Bolt with Flange | 12 | | | |
| 13 | 8009252 | Shim | 1 | | | |
| | 8009253 | Shim | 1 | | | |
| | 8009254 | Shim | 1 | | | |
| | 8009255 | Shim | 1 | | | |
| 14 | 0358169 | Conical Bearing | 1 | | | |
| 15 | 8012024 | Differential Housing | 1 | | | |
| 16 | 2983273 | Washer | 1 | | | |
| 17 | 2983262 | Side Shaft Wheel | 1 | | | |
| 18 | 2915475 | Planet Wheel | 4 | | | |
| 19 | 2915464 | Washer | 4 | | | |
| 20 | 8009245 | Bolt | 2 | | | |
| 21 | 0443163 | Adaptor Sleeve | 3 | | | |
| 22 | 8009246 | Bolt | 1 | | | |
| 23 | 8009249 | Cross Piece | 1 | | | |
| 24 | 8009293 | Side Shaft Wheel | 1 | | | |
| 25 | 8009291 | Ball | 1 | | | |
| 26 | 8012025 | Ring | 1 | | | |
| 27 | 8009297 | Clutch Disc | 8 | | | |
| 29 | 8010328 | Snap Ring | 1 | | | |
| 30 | 8012026 | Bearing | 1 | | | |
| 31 | 8009300 | Clutch Disc | 7 | | | |
| 32 | 8012027 | Intermediate Bush | 1 | | | |
| 33 | 8010379 | Circlip | 1 | | | |
| 34 | 8009469 | Spacer Ring | 1 | | | |
| 35 | 3984301 | Ball Bearing | 1 | | | |
| 36 | 8009302 | Shim | 1 | | | |
| | 8009303 | Shim | 1 | | | |
| | 8009304 | Shim | 1 | | | |
| 37 | 8010329 | Snap Ring | 1 | | | |
| 38 | 2915748 | Shim | 1 | | | |
| | 2915737 | Shim | 1 | | | |
| | 2915726 | Shim | 1 | | | |
| | 2915317 | Shim | 1 | | | |
| 39 | 8010111 | O-Ring | 1 | | | |

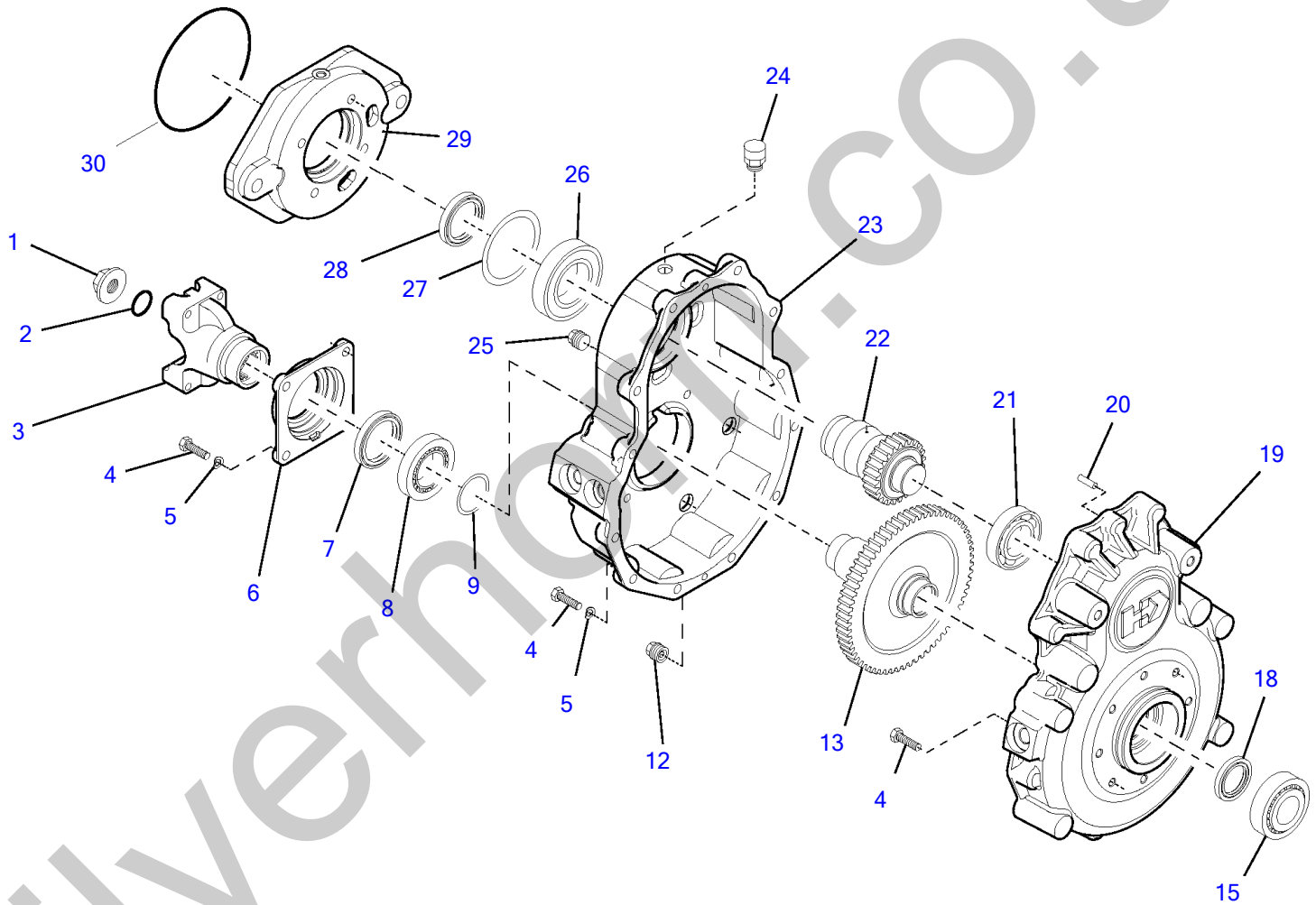


| Item | Part number | Description | Axle Pipe | | | |
|------|-------------|----------------------|-----------|-------|------------|---------------|
| | | | Q'ty | Chan. | Serial No. | Serv. Remarks |
| 1 | 8009456 | Axle Pipe | 1 | | | |
| 2 | 8010322 | Hex Head Screw | 16 | | | |
| 3 | 3968889 | Breather | 1 | | | |
| 4 | 2655505 | Screw Plug A3C | 2 | | | |
| 5 | 8010108 | O-Ring | 2 | | | |
| 6 | 2915782 | Rotary Shaft Seal | 2 | | | |
| 7 | 8010249 | Rotary Shaft Seal | 2 | | | |
| 8 | 8010027 | Ext Part Bearing | 4 | | | |
| | 8010028 | Int Part Bearing | 4 | | | |
| 9 | 8009470 | Wheel Bolt | 16 | | | |
| | 8006827 | Spherical Collar Nut | 1 | | | |
| 11 | 8010257 | Snap Ring | 2 | | | |
| 12 | 8009457 | Centering Ring | 2 | | | |
| 13 | 8009259 | Side Shaft Wheel | 2 | | | |
| 14 | 8009260 | Plate | 2 | | | |
| 15 | 0827805 | Circlip Tone 400 | 6 | | | |
| 16 | 3983742 | Planet Wheel | 6 | | | |
| 17 | 8010025 | Roller Bearing | 6 | | | |
| 18 | 8010263 | Screw Plug A3C | 2 | | | |
| 20 | 0482831 | Countersunk Screw | 4 | | | |
| 21 | 8009261 | Planetary Housing | 2 | | | |
| 22 | 3983764 | Washer | 2 | | | |
| 23 | 8010264 | Nut | 16 | | | |
| 24 | 8010303 | Stud | 16 | | | |
| 25 | 3983719 | Gear Rim | 2 | | | |
| 26 | 2902163 | O-Ring | 2 | | | |
| 27 | 8009262 | Wheel Hub | 2 | | | |
| 28 | 8009458 | Axle Shaft | 2 | | | |
| 29 | 8009264 | Planetary Housing | 2 | | | |
| 32 | 8009661 | Axle Pipe | 1 | | | |
| 33 | 8010334 | Hex Head Screw | 16 | | | |



Brake Disk

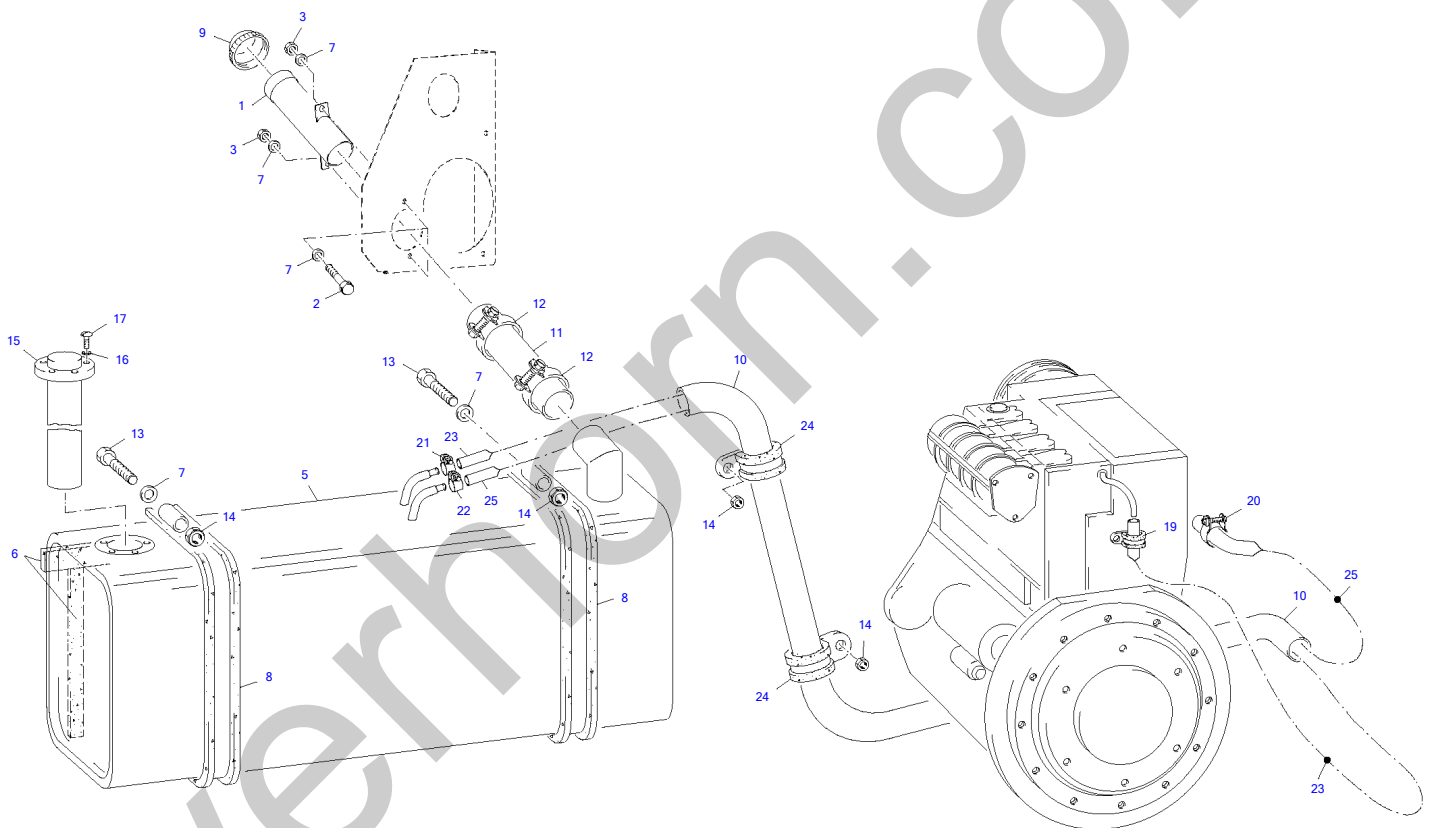
| Item | Part number | Description | Q'ty | Chan. | Serial No. | Serv. | Remarks |
|------|-------------|--------------------|------|-------|------------|-------|---------|
| 1 | 8000892 | Brake Disk | 6 | | | | |
| 2 | 8012028 | Seal | 6 | | | | |
| 3 | 8012029 | Intermediate Bush | 1 | | | | |
| 4 | 8009291 | Ball | 1 | | | | |
| 5 | 8009473 | Spacer Ring | 1 | | | | |
| 6 | 2902561 | Shim | 2 | | | | |
| | 2902549 | Shim | 2 | | | | |
| | 8005811 | Shim | 2 | | | | |
| | 3976425 | Shim | 2 | | | | |
| 7 | 8012030 | Seal | 1 | | | | |
| 8 | 8010338 | Adaptor Sleeve | 2 | | | | |
| 9 | 8009308 | Piston | 1 | | | | |
| 10 | 8010113 | O-Ring | 2 | | | | |
| 11 | 8009309 | Piston | 1 | | | | |
| 12 | 8010114 | O-Ring | 1 | | | | |
| 13 | 8010347 | Gasket | 1 | | | | |
| 14 | 8010348 | Gasket | 2 | | | | |
| 15 | 3984674 | O-Ring | 1 | | | | |
| 16 | 3984663 | Ring | 1 | | | | |
| 17 | 8010349 | Snap Ring | 2 | | | | |
| 18 | 8009475 | Spring | 1 | | | | |
| 19 | 8000883 | Antiextrusion Ring | 2 | | | | |
| 20 | 8010115 | O-Ring | 4 | | | | |
| 21 | 0443163 | Adaptor Sleeve | 1 | | | | |
| 22 | 8009310 | Piston | 1 | | | | |
| 23 | 8010120 | O-Ring | 3 | | | | |
| 24 | 8009311 | Bolt | 3 | | | | |
| 25 | 8010117 | O-Ring | 1 | | | | |
| 26 | 8010118 | O-Ring | 1 | | | | |
| 27 | 8009312 | Piston | 1 | | | | |
| 28 | 8009313 | Spring | 1 | | | | |
| 29 | 8009314 | Shaft Nut | 1 | | | | |
| 30 | 8010357 | Hex Head Screw | 2 | | | | |
| 31 | 8010119 | O-Ring | 2 | | | | |
| 32 | 8009315 | Spacer Ring | 2 | | | | |
| 33 | 8010350 | Threaded Pin A3C | 1 | | | | |
| 34 | 0303799 | Gasket A | 3 | | | | |
| 35 | 8010381 | Screw Plug | 3 | | | | |
| 36 | 3968265 | Venting Screw | 2 | | | | |
| 37 | 0361562 | Breather | 2 | | | | |



Rear Axle Multiple Disk Brake

| Item | Part number | Description | Q'ty | Chan. | Serial No. | Serv. | Remarks |
|------|-------------|--------------------|------|-------|------------|-------|---------|
| 1 | 2902754 | Nut | 1 | | | | |
| 2 | 0342149 | O-ring | 1 | | | | |
| 3 | 8009395 | Flange | 1 | | | | |
| 4 | 0893203 | Hex Head Screw A3C | 12 | | | | |
| 5 | 1302881 | Spring Washer | 12 | | | | |
| 6 | 3987213 | Lid | 1 | | | | |
| 7 | 0455145 | Rotary Shaft Seal | 1 | | | | |
| 8 | 3968743 | Conicla Bearing | 1 | | | | |
| 9 | 8000953 | Shim | 1 | | | | |
| | 8009567 | Shim | 1 | | | | |
| | 800954 | Shim | 1 | | | | |
| | 8009568 | Shim | 1 | | | | |
| | 8000955 | Shim | 1 | | | | |
| 12 | 0830242 | Screw Plug A3C | 1 | | | | |
| 13 | 8009459 | Gear Wheel | 1 | | | | |
| 15 | 8009421 | Conical Bearing | 1 | | | | |
| 18 | 8010305 | Rotary Shaft Seal | 1 | | | | |
| 19 | 8009420 | Housing | 1 | | | | |
| 20 | 2479885 | Dowel Pin | 2 | | | | |
| 21 | 0312085 | Ball Bearing | 1 | | | | |
| 22 | 8011815 | Drive Shaft | 1 | | | | |
| 23 | 8009460 | Lid | 1 | | | | |
| 24 | 3968889 | Breather | 1 | | | | |
| 25 | 0830253 | Screw Plug | 1 | | | | |
| 26 | 8011807 | Ball Bearing | 1 | | | | |
| 27 | 2902561 | Shim | 1 | | | | |
| | 8005810 | Shim | 1 | | | | |
| | 8005811 | Shim | 1 | | | | |
| | 3976414 | Shim | 1 | | | | |
| | 3976425 | Shim | 1 | | | | |
| 28 | 8011806 | Rotary Shaft Seal | 1 | | | | |
| 29 | 8011816 | Lid | 1 | | | | |
| 30 | 2915793 | O-Ring | 1 | | | | |

Silverhorn.CO.UK



| Item | Part number | Description | Fuel System | | | | Remarks |
|------|----------------|------------------------|-------------|-------|------------|-------|---------|
| | | | Q'ty | Chan. | Serial No. | Serv. | |
| | 8008536 | Fuel System | 1 | | | | |
| 1 | 8008810 | Filler Neck | 1 | | | | |
| 2 | 0893214 | Hex Head Screw A3C | 2 | | | | |
| 3 | 0893167 | Hex Nut A3C | 2 | | | | |
| 5 | 8001221 | Fuel Tank | 1 | | | | |
| 6 | 0909304 | Profile Rubber 3200 MM | 1 | | | | |
| 7 | 2481254 | Serrated Washer A3C | 6 | | | | |
| 8 | 0909224 | Profile Rubber 850 MM | 2 | | | | |
| 9 | 8003285 | Tank Cap | 1 | | | | |
| 10 | 0916665 | Hose 1450 MM | 1 | | | | |
| 11 | 3930750 | Tube | 1 | | | | |
| 12 | 0478539 | Clip Norma | 2 | | | | |
| 13 | 0893076 | Washer A3C | 2 | | | | |
| 14 | 0399760 | Hex Nut A3C | 4 | | | | |
| 15 | 3925004 | Fuel Gauge | 1 | | | | |
| | 0866722 | Cork Sealing | 1 | | | | |
| 16 | 0893076 | Washer A3C | 5 | | | | |
| 17 | 8007601 | Oval Head Screw | 5 | | | | |
| 19 | 2966454 | Clip Norma | 1 | | | | |
| 20 | 8012616 | Clip Norma | 1 | | | | |
| 21 | 2985617 | Clip Norma | 1 | | | | |
| 22 | 2983137 | Clip Norma | 1 | | | | |
| 23 | 8009224 | Hose 2300 MM | 1 | | | | |
| 24 | 1009352 | Clip Norma | 2 | | | | |
| 25 | 8008515 | Fuel Hose 1850 MM | 1 | | | | |

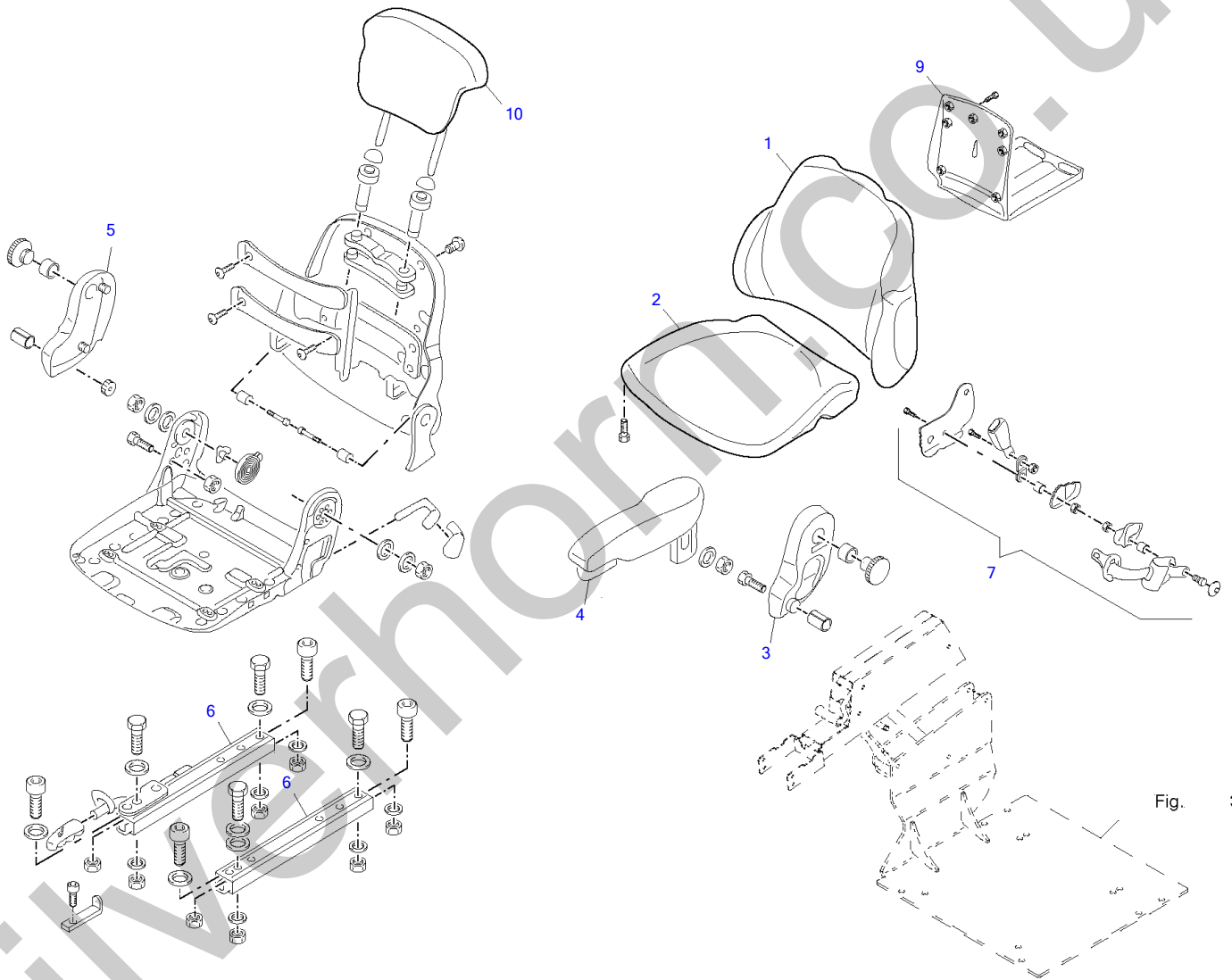
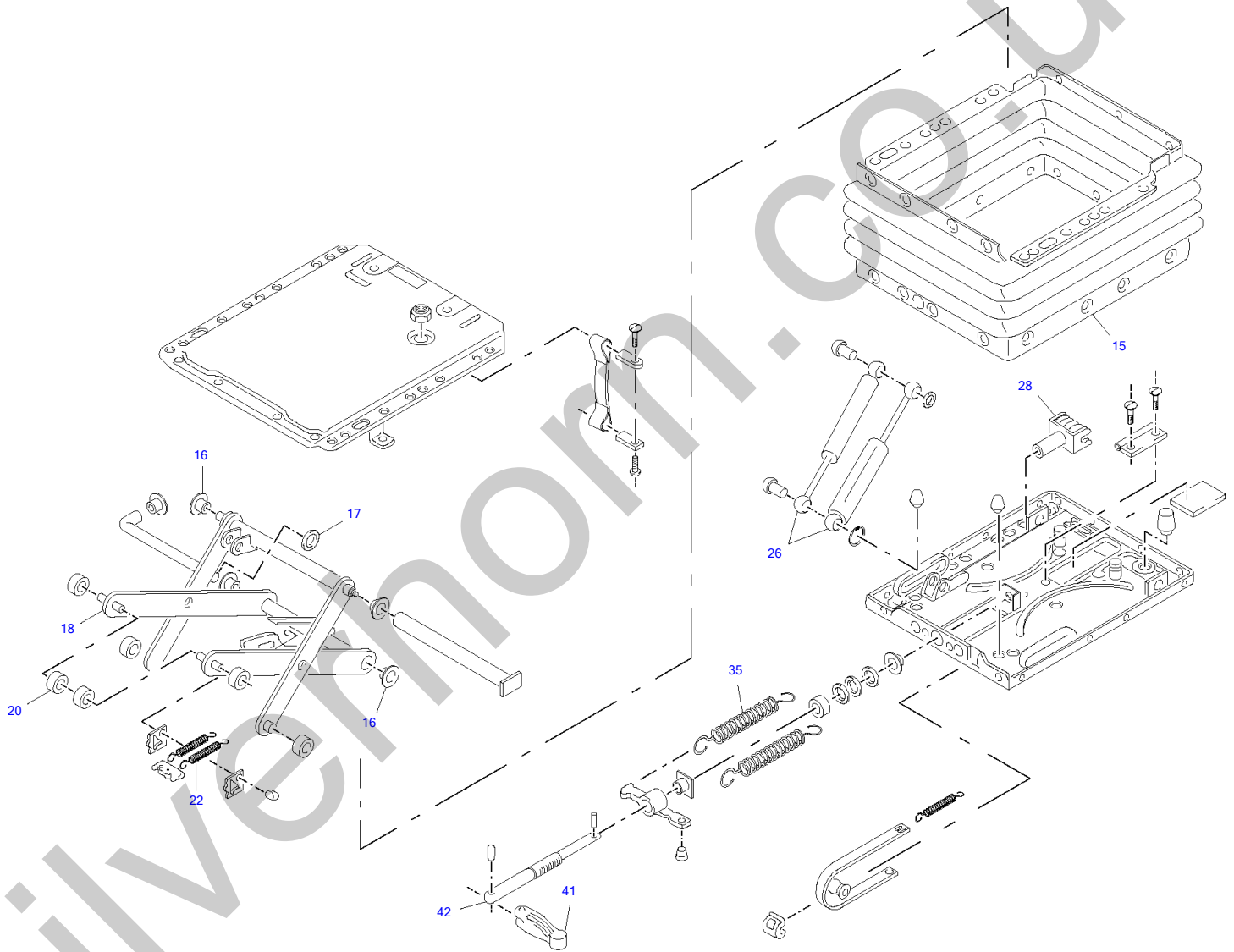


Fig. 321

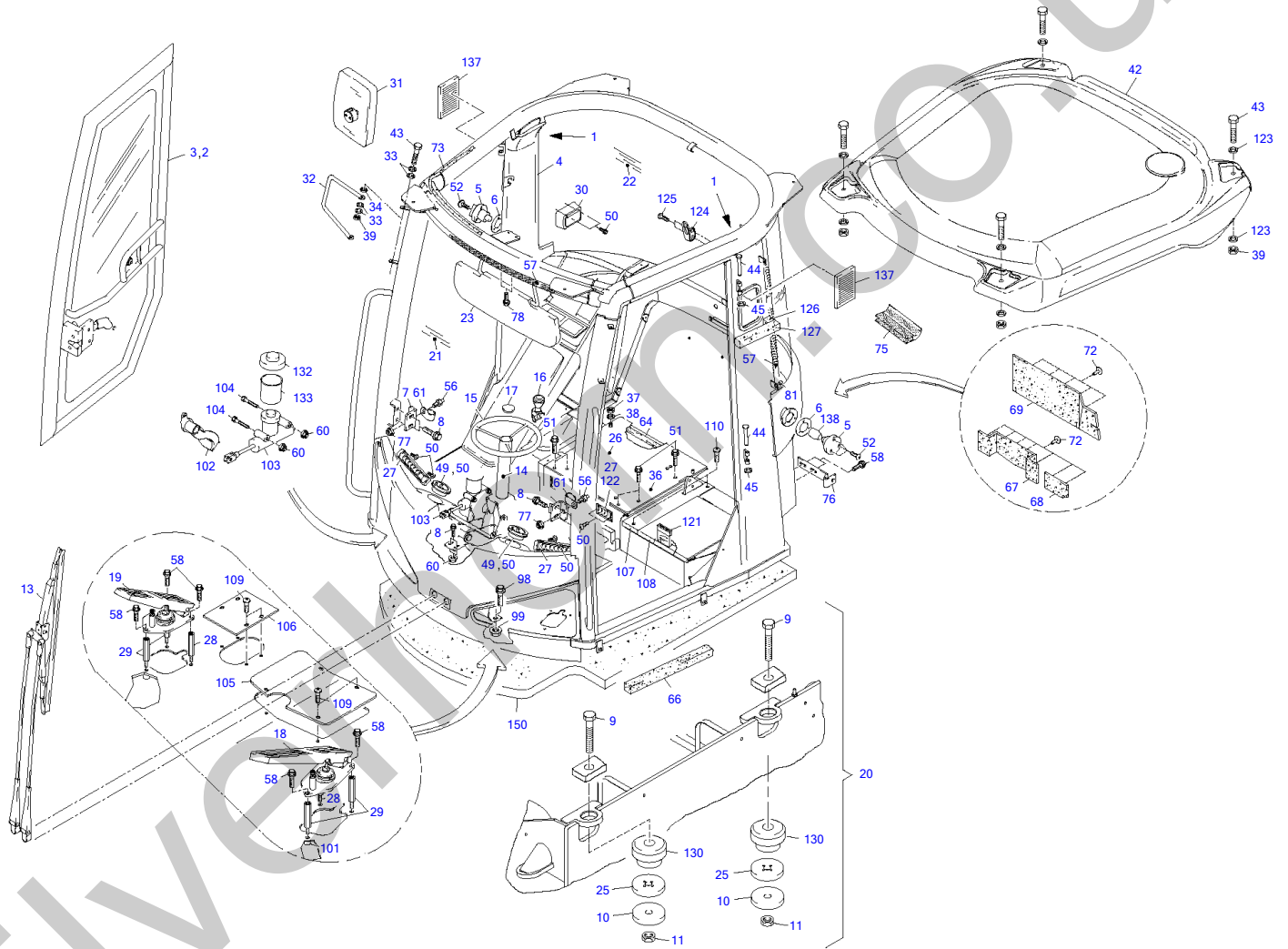
| Item | Part number | Description | Driver's Seat | | | |
|------|----------------|---------------------|---------------|-------|------------|---------------|
| | | | Q'ty | Chan. | Serial No. | Serv. Remarks |
| | 8008016 | Driver's Seat | 1 | | | |
| 1 | 8008452 | Backrest Upholstery | 1 | | | |
| 2 | 3986676 | Seat Upholstery | 1 | | | |
| 3 | 8010010 | Left Cover | 1 | | | |
| 4 | 3986665 | Left Armrest | 1 | | | |
| 5 | 8010011 | Right Cover | 1 | | | |
| 6 | 8010012 | Adjusting Rail Set | 1 | | | |
| 7 | 8008450 | Safety Belt | 1 | | | |
| | 3986734 | Safety Belt | 1 | | | |

Silverhorn.CO.UK

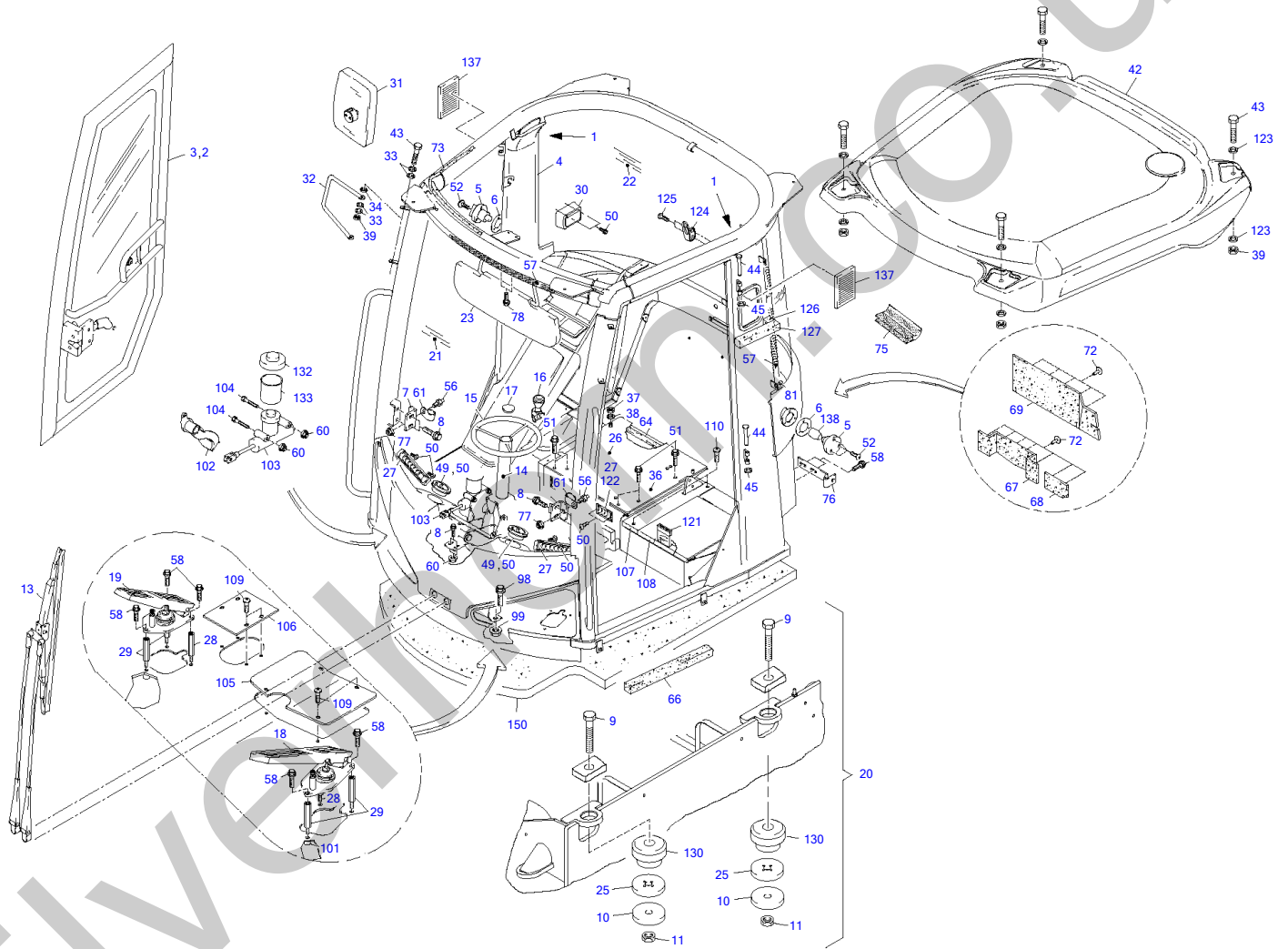


| Item | Part number | Description | Seat Bottom Part | | | |
|------|----------------|--------------------|------------------|-------|------------|---------------|
| | | | Q'ty | Chan. | Serial No. | Serv. Remarks |
| | 8008626 | Seat Bottom Part | 1 | | | |
| 15 | 3986632 | Gaiter | 1 | | | |
| 16 | 3966956 | Bush | 4 | | | |
| 17 | 0851770 | Washer | 1 | | | |
| 18 | 2996449 | Rocker | 1 | | | |
| 20 | 3966967 | Roll | 4 | | | |
| 22 | 3981853 | Draw Spring | 2 | | | |
| 26 | 1689605 | Shock Absorber | 1 | | | |
| 28 | 8001235 | Fork Compl | 1 | | | |
| 35 | 1712116 | Draw Spring | 2 | | | |
| 41 | 4623976 | Toggle | 1 | | | |
| 42 | 2996450 | Adjustable Spindle | 1 | | | |

Silverhorn.CO.UK

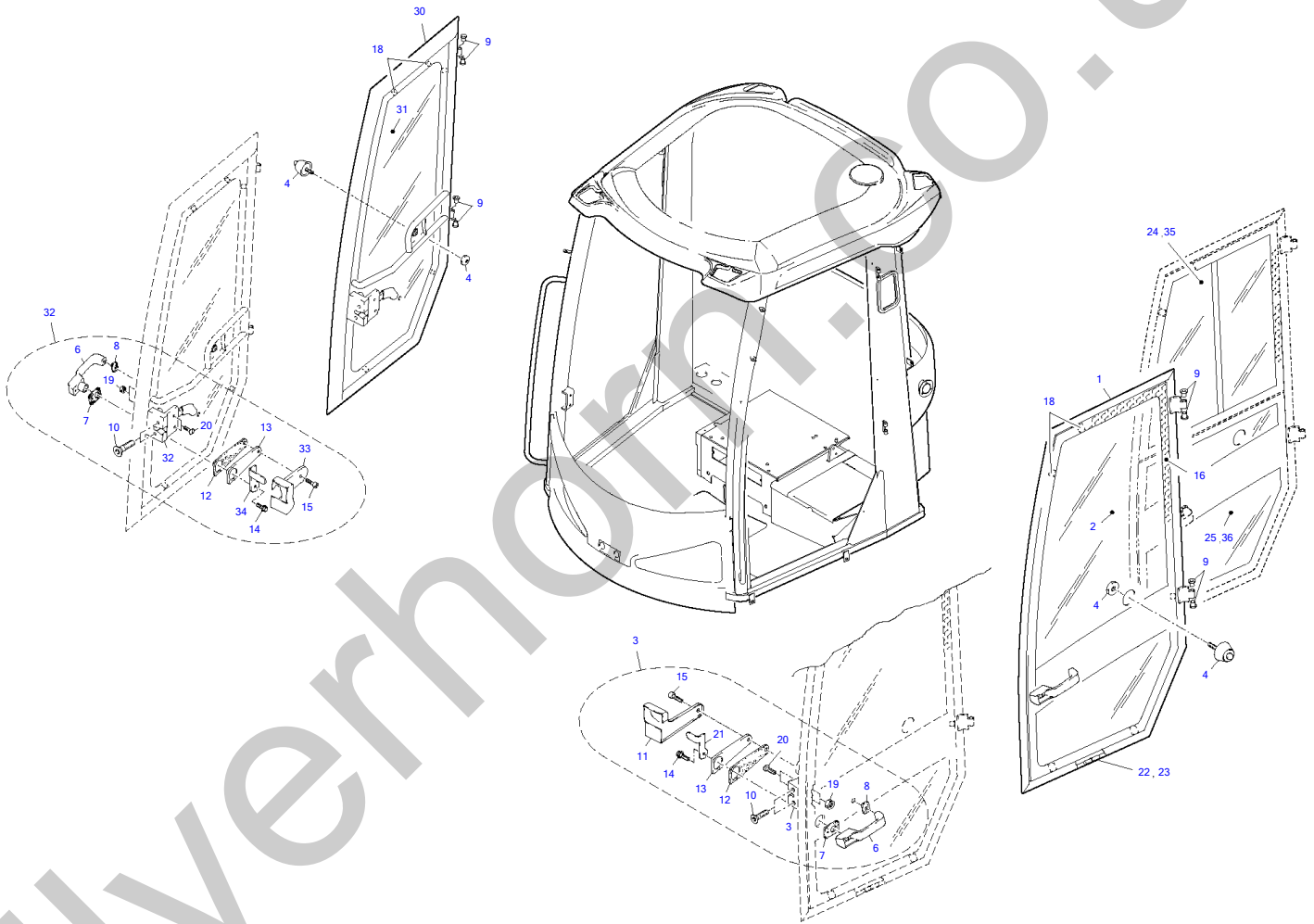


| Item | Part number | Description | Cabin Q'ty | Chan. | Serial No. | Serv. | Remarks |
|------|----------------|--------------------------|---------------|-------|------------|-------|---------|
| | 8003354 | Cabin | 1 | | | | |
| 1 | 8016693 | Protecting Cap | 2 | | | | |
| 2 | 8003297 | Left Cabin Door Compl | 1 | | | | |
| 3 | 8003297 | Right Cabin Door Compl | 1 | | | | |
| 4 | 8003340 | Lining | 1 | | | | |
| 5 | 8007463 | Hold-Open Mechanism | 2 | | | | |
| 6 | 3975833 | Washer | 2 | | | | |
| 7 | 3947351 | Angle | 2 | | | | |
| 8 | 2449607 | Serrated Hex Head Screw | 10 | | | | |
| 9 | 3975695 | Hex Head Screw | 4 | | | | |
| 10 | 2914645 | Washer | 4 | | | | |
| 11 | 1663967 | Hex Nut A3C | 4 | | | | |
| 13 | 8004889 | Wiper System | 1 | | | | |
| 14 | 3930421 | Steering Column | 1 | | | | |
| 15 | 8011948 | Steering Wheel | 1 | | | | |
| 16 | 8012032 | Turning Handle | 1 | | | | |
| 17 | 2912132 | Protecting Cap | 1 | | | | |
| 18 | 8005490 | Inching Actuator | 1 | | | | |
| 19 | 8005490 | Gas Control | 1 | | | | |
| 20 | 8006546 | Cabin Mounting Compl | 2 | | | | |
| 21 | 8001305 | Front Screen | 1 | | | | |
| 22 | 8001329 | Rear Screen | 1 | | | | |
| 23 | 3957422 | Sun Shield | 1 | | | | |
| 25 | 8004343 | Rubber Washer | 4 | | | | |
| 26 | 8003053 | Heating Circuit | 1 | | | | |
| 27 | 3953973 | Nozzle | 4 | | | | |
| 28 | 3929291 | Spacer | 2 | | | | |
| 29 | 3928665 | Spacer | 4 | | | | |
| 30 | 8005836 | Ashtray | 1 | | | | |
| 31 | 3949091 | Mirror | 2 | | | | |
| | 8002605 | Mirror | 1 | | | | |
| | 8011230 | Mirror Kit | 1 | | | | |
| 32 | 3945575 | Mirror Attachment | 2 | | | | |
| 33 | 0885849 | Disk Spring | 16 | | | | |
| 34 | 1042977 | Spring Washer | 4 | | | | |
| 36 | 8007923 | Servo Control Bracket | 1 | | | | |
| 37 | 0893156 | Hex Nut A3C | 2 | | | | |
| 38 | 2481243 | Serrated Washer A3C | 2 | | | | |
| 39 | 0399760 | Hex Nut A3C | 8 | | | | |
| 42 | 8001196 | Cabin Roof | 1 | | | | |
| 43 | 0893214 | Hex Head Screw A3C | 8 | | | | |
| 44 | 0879192 | Bolt | 4 | | | | |
| 45 | 0498748 | Locking Washer | 4 | | | | |
| 49 | 3954429 | Ventilation Flap | 2 | | | | |
| 50 | 0885236 | Raised Countersunk Screw | 18 | | | | |
| 51 | 2997235 | Serrated Hex Head Screw | 6 | | | | |
| 52 | 1780969 | Oval head Screw | 6 | | | | |
| 56 | 1781302 | Pin | 2 | | | | |
| 57 | 3976925 | Glue | 3 | | | | |
| 58 | 3761119 | Serrated Hex Head Screw | 10 | | | | |
| 60 | 1722787 | Serrated Nut | 4 | | | | |
| 61 | 1781313 | Bracket | 2 | | | | |
| 64 | 1898686 | Sealing Strip 1500 MM | 1 | | | | |
| 66 | 0909291 | Profile Rubber 720 MM | 2 | | | | |
| 67 | 8002334 | Insulating Mat | 1 | | | | |
| 68 | 3943813 | Insulating Material | 1 | | | | |
| 69 | 3943824 | Insulating Material | 1 | | | | |
| 72 | 1786874 | Clip | 19 | | | | |
| 73 | 3940774 | Sealing Strip 5000 MM | 1 | | | | |
| 75 | 3930603 | Profile Rubber 350 MM | 1 | | | | |
| 76 | 3936892 | Holder | 2 | | | | |
| 77 | 2440675 | Serrated Nut | 2 | | | | |
| 78 | 1309399 | Hex Head Screw A3C | 2 | | | | |
| 81 | 3942436 | Spacer | 5 | | | | |
| 98 | 3983399 | Self-Locking Screw | 2 | | | | |
| 99 | 3960778 | Serrated Nut | 2 | | | | |
| 102 | 3976447 | Pedal Coating | 1 | | | | |
| 103 | 3945553 | Main Brake Cylinder | 1 | | | | |



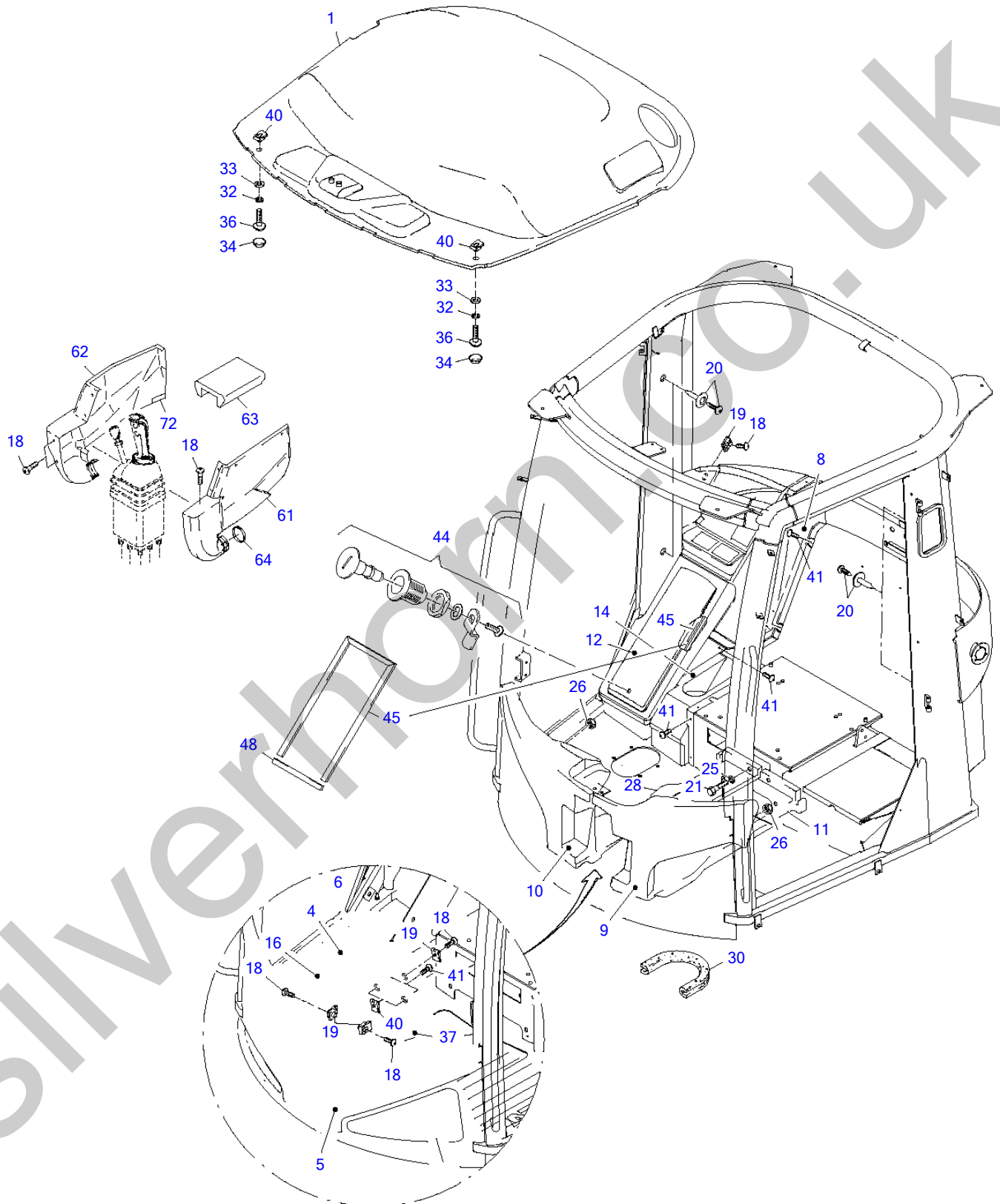
| Item | Part number | Description | Cabin Q'ty | Chan. | Serial No. | Serv. | Remarks |
|------|----------------|------------------------|---------------|-------|------------|-------|---------|
| 104 | 1307079 | Hex Head Screw A3C | 2 | | | | |
| 105 | 8004858 | Bottom Lid | 1 | | | | |
| 106 | 8009476 | Lid | 1 | | | | |
| 107 | 8005287 | Cover Compl | 1 | | | | |
| 108 | 8005511 | Lid Compl | 1 | | | | |
| 109 | 3753595 | Oval Head Screw A3R | 8 | | | | |
| 110 | 3934378 | Oval Head Screw A3R | 6 | | | | |
| 121 | 8005547 | Holder Magnet | 1 | | | | |
| 122 | 8013706 | Air Nozzle Kit | 1 | | | | |
| 123 | 1356341 | Washer A3C | 8 | | | | |
| 124 | 0879089 | Coat Hook | 1 | | | | |
| 125 | 8008231 | Oval Head Screw | 4 | | | | |
| 126 | 0909291 | Profile Rubber 40 MM | 2 | | | | |
| 127 | 0909291 | Profile Rubber 170 MM | 2 | | | | |
| 130 | 8006529 | Rubber Element | 4 | | | | |
| 132 | 3981535 | Switch | 1 | | | | |
| 133 | 3927700 | Compensator Reservoir | 1 | | | | |
| 137 | 8007110 | Cabin Filter | 2 | | | | |
| 138 | 8007495 | Cone Head | 2 | | | | |
| 140 | 8021269 | Plate | 1 | | | | |
| 141 | 0933860 | Edge Protection 220 MM | 1 | | | | |
| 142 | 0933860 | Edge Protection 190 MM | 1 | | | | |
| 150 | 8006166 | Insulating Material | 1 | | | | |

TW80 Book No. 8020870 01.10 S/N E107240
Cabin Door Left



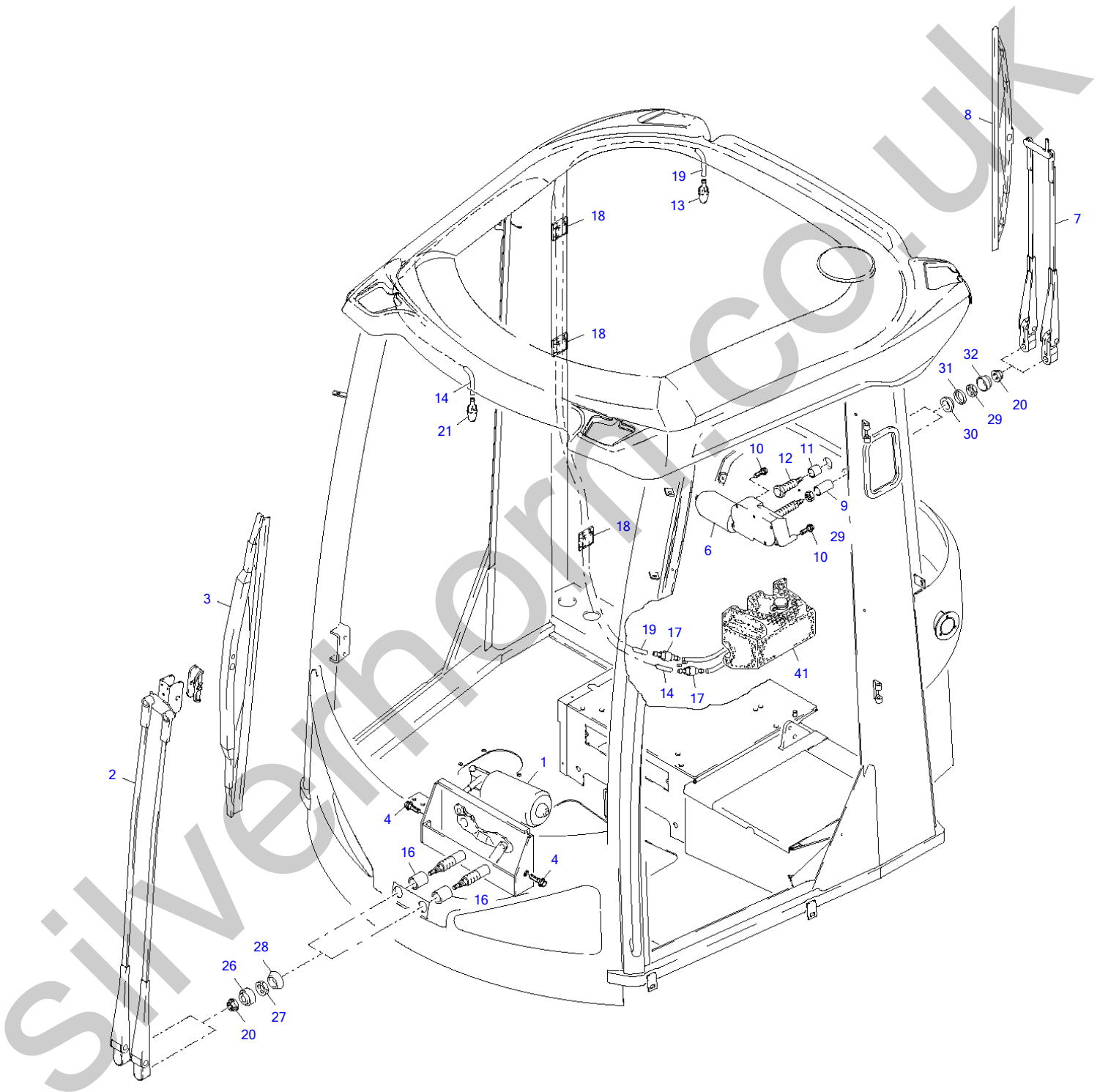
Cabin Door Left

| Item | Part number | Description | Q'ty | Chan. | Serial No. | Serv. | Remarks |
|------|----------------|---------------------------------|------|-------|------------|-------|---------|
| | 8003297 | Left Cabin Door | 1 | | | | |
| | 8004376 | Left Cabin Door Sliding Window | 1 | | | | |
| | 8003298 | Right Cabin Door | 1 | | | | |
| | 8004377 | Right Cabin Door Sliding Window | 1 | | | | |
| 1 | 8001984 | Left Cabin Door Frame | 1 | | | | |
| 2 | 8002680 | Left Door Glass Pane | 1 | | | | |
| 3 | 8012061 | Left Door Lock Compl | 1 | | | | |
| | 3948943 | Left Door Lock | 1 | | | | |
| | 3643912 | Ignition Key | 1 | | | | |
| 4 | 8007057 | Pin | 2 | | | | |
| 6 | 3975800 | Door Handle | 2 | | | | |
| | 3643912 | Ignition Key | 2 | | | | |
| 7 | 3975797 | Washer | 2 | | | | |
| 8 | 3975786 | Washer | 2 | | | | |
| 9 | 1749733 | Bush | 8 | | | | |
| 10 | 1372589 | Countersunk Screw | 4 | | | | |
| 11 | 3948954 | Left Cover | 1 | | | | |
| 12 | 3929882 | Rubber Plate | 2 | | | | |
| 13 | 3929826 | Plate | 2 | | | | |
| 14 | 8009182 | Serrated Hex Head Screw | 2 | | | | |
| 15 | 1631765 | Hex Head Cap Screw | 2 | | | | |
| 16 | 3976925 | Glue | 1 | | | | |
| 18 | 3942436 | Spacer | 14 | | | | |
| 19 | 0487336 | Hex Nut A3C | 4 | | | | |
| 20 | 1780969 | Oval Head Screw | 4 | | | | |
| 21 | 3947511 | Left Button | 1 | | | | |
| 22 | 3976754 | Profile Rubber 2 X 3820 MM | 1 | | | | |
| 23 | 3935835 | Profile Rubber 2 X 60 MM | 1 | | | | |
| 24 | 8007088 | Left Sliding Window | 1 | | | | |
| | 8015770 | Locking Lever | 1 | | | | |
| 25 | 8000610 | Left Bottom Door Glass Pane | 1 | | | | |
| 30 | 8001985 | Right Cabin Door Frame | 1 | | | | |
| 31 | 8002682 | Right Door Glass | 1 | | | | |
| 32 | 8012062 | Right Door Lock Compl | 1 | | | | |
| | 3948932 | Right Door Lock | 1 | | | | |
| | 3643912 | Ignition Key | 1 | | | | |
| 33 | 3948965 | Right Cover | 1 | | | | |
| 34 | 3947522 | Right Button | 1 | | | | |
| 35 | 8007089 | Right Sliding Window | 1 | | | | |
| | 8015770 | Locking Lever | 1 | | | | |
| 36 | 8001247 | Right Bottom Door Glass Pane | 1 | | | | |



| Item | Part number | Description | Lining Qty | Chan. | Serial No. | Serv. | Remarks |
|------|----------------|--------------------------|------------|-------|------------|-------|---------|
| | 8003340 | Lining | 1 | | | | |
| | 8006582 | Interior Lining | 1 | | | | |
| 1 | 8002884 | Roof Lining | 1 | | | | |
| 4 | 3949386 | Steering Column Covering | 1 | | | | |
| 5 | 3949397 | Steering Column Covering | 1 | | | | |
| 6 | 3949400 | Steering Column Covering | 1 | | | | |
| 8 | 8004610 | Right Cover Top | 1 | | | | |
| 9 | 3951971 | Left Air Diffuser | 1 | | | | |
| 10 | 3951982 | Right Air Diffuser | 1 | | | | |
| 11 | 8004427 | Bottom Left Air Duct | 1 | | | | |
| 12 | 8004611 | Right Lid | 1 | | | | |
| 14 | 8004612 | Bottom Right Cover | 1 | | | | |
| 16 | 3949455 | Lid | 1 | | | | |
| 17 | 3973784 | Mat | 1 | | | | |
| 18 | 3753595 | Oval Head Screw A3R | 12 | | | | |
| 19 | 0478675 | Nut Holder | 4 | | | | |
| 20 | 8005554 | Blind Rivet | 4 | | | | |
| 21 | 0893214 | Hex Head Screw A3C | 4 | | | | |
| 25 | 2481254 | Serrated Washer A3C | 4 | | | | |
| 26 | 0487336 | Hex Nut A3C | 2 | | | | |
| 28 | 8003699 | Air Duct | 1 | | | | |
| 30 | 0935113 | Profile Rubber 350 MM | 1 | | | | |
| 32 | 3976583 | Washer | 2 | | | | |
| 33 | 1356352 | Washer A3C | 2 | | | | |
| 34 | 3938747 | Protecting Cap | 2 | | | | |
| 36 | 3963340 | Oval Head Screw A3R | 2 | | | | |
| 37 | 3949466 | Steering Column Covering | 1 | | | | |
| 40 | 3933468 | Clip | 2 | | | | |
| 41 | 3934378 | Oval Head Screw A3R | 7 | | | | |
| 44 | 8011974 | Locking Bar Compl | 1 | | | | |
| 45 | 8007356 | Profile Frame | 1 | | | | |
| 48 | 8007431 | Profile Rubber 1360 MM | 1 | | | | |
| 61 | 8011439 | Left Cover | 1 | | | | |
| 62 | 8011440 | Right Cover | 1 | | | | |
| 63 | 8010452 | Foam Overlay | 1 | | | | |
| 64 | 0486039 | Clamp | 1 | | | | |
| 72 | 0909304 | Profile Rubber 50 MM | 1 | | | | |

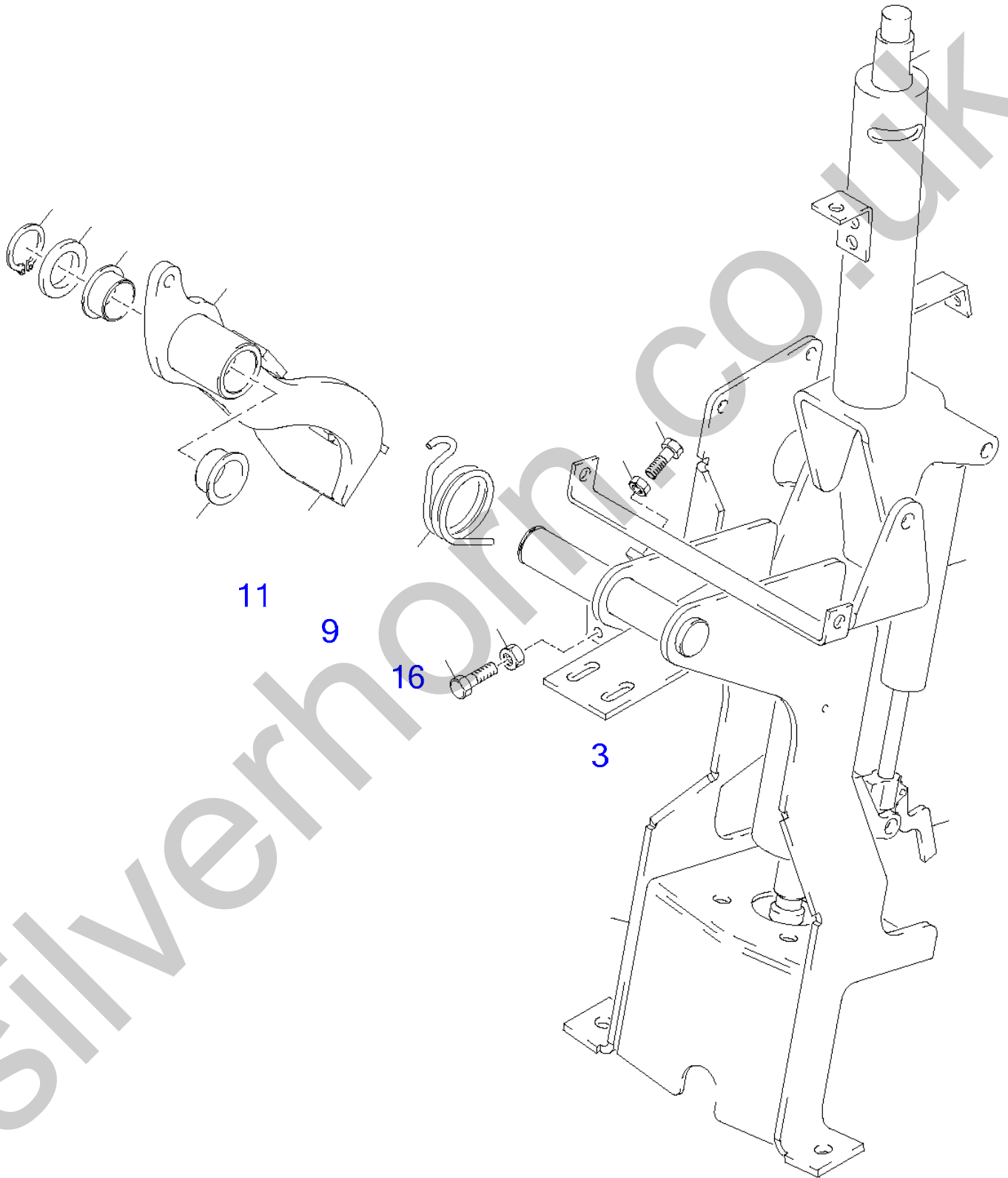
TW80 Book No. 8020870 01.10 S/N E107240
Wiper System



Wiper System

| Item | Part number | Description | Q'ty | Chan. | Serial No. | Serv. | Remarks |
|------|----------------|-------------------------|------|-------|------------|-------|---------|
| | 8004889 | Wiper System | 1 | | | | |
| 1 | 3942390 | Wiper Motor | 1 | | | | |
| | 8005916 | Wiper Motor | 1 | | | | |
| | 8005917 | Wiper Motor Rods | 1 | | | | |
| 2 | 3925833 | Wiper Arm | 1 | | | | |
| 3 | 3925844 | Wiper Blade | 1 | | | | |
| 4 | 2449607 | Serrated Hex Head Screw | 2 | | | | |
| 6 | 2986787 | Wiper Motor | 1 | | | | |
| 7 | 2982921 | Wiper Arm | 1 | | | | |
| 8 | 2982932 | Wiper Blade | 1 | | | | |
| 9 | 3737664 | Pipe ZN | 1 | | | | |
| 10 | 2440642 | Serrated Hex Head Screw | 2 | | | | |
| 11 | 2965748 | Pipe ZN | 1 | | | | |
| 12 | 2986425 | Bolt | 1 | | | | |
| 13 | 3746392 | Double Nozzle | 1 | | | | |
| 14 | 3746405 | Hose 3750 MM | 1 | | | | |
| 15 | 3746405 | Hose 2750 MM | 1 | | | | |
| 16 | 3932423 | Spacer Sleeve | 2 | | | | |
| 17 | 1366865 | Check Valve | 2 | | | | |
| 18 | 3977119 | Plate | 3 | | | | |
| 20 | 1722787 | Serrated Nut | 4 | | | | |
| 21 | 8006310 | Plain Nozzle | 1 | | | | |
| 26 | 3979360 | Protecting Cap | 2 | | | | |
| 27 | 3979359 | Hex Nut | 2 | | | | |
| 28 | 3979348 | Spacer | 2 | | | | |
| 29 | 1722787 | Serrated Nut | 3 | | | | |
| 30 | 2986389 | Ring | 2 | | | | |
| 31 | 2986390 | Ring | 2 | | | | |
| 32 | 2986403 | Cover Cap | 2 | | | | |
| 41 | 2995299 | Container with Pump | 1 | | | | |

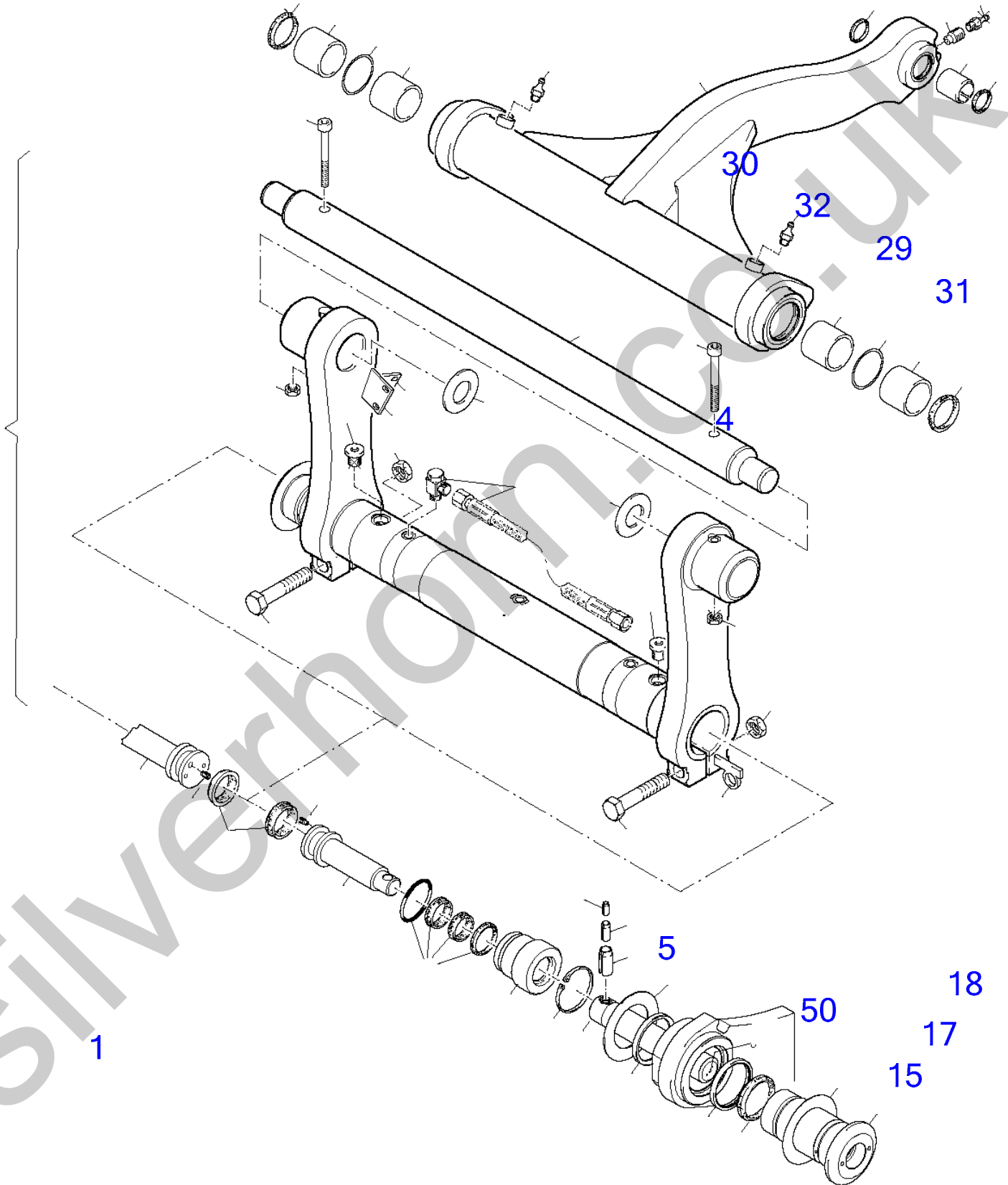
Silverhorn.CO.UK



Steering Column Compl

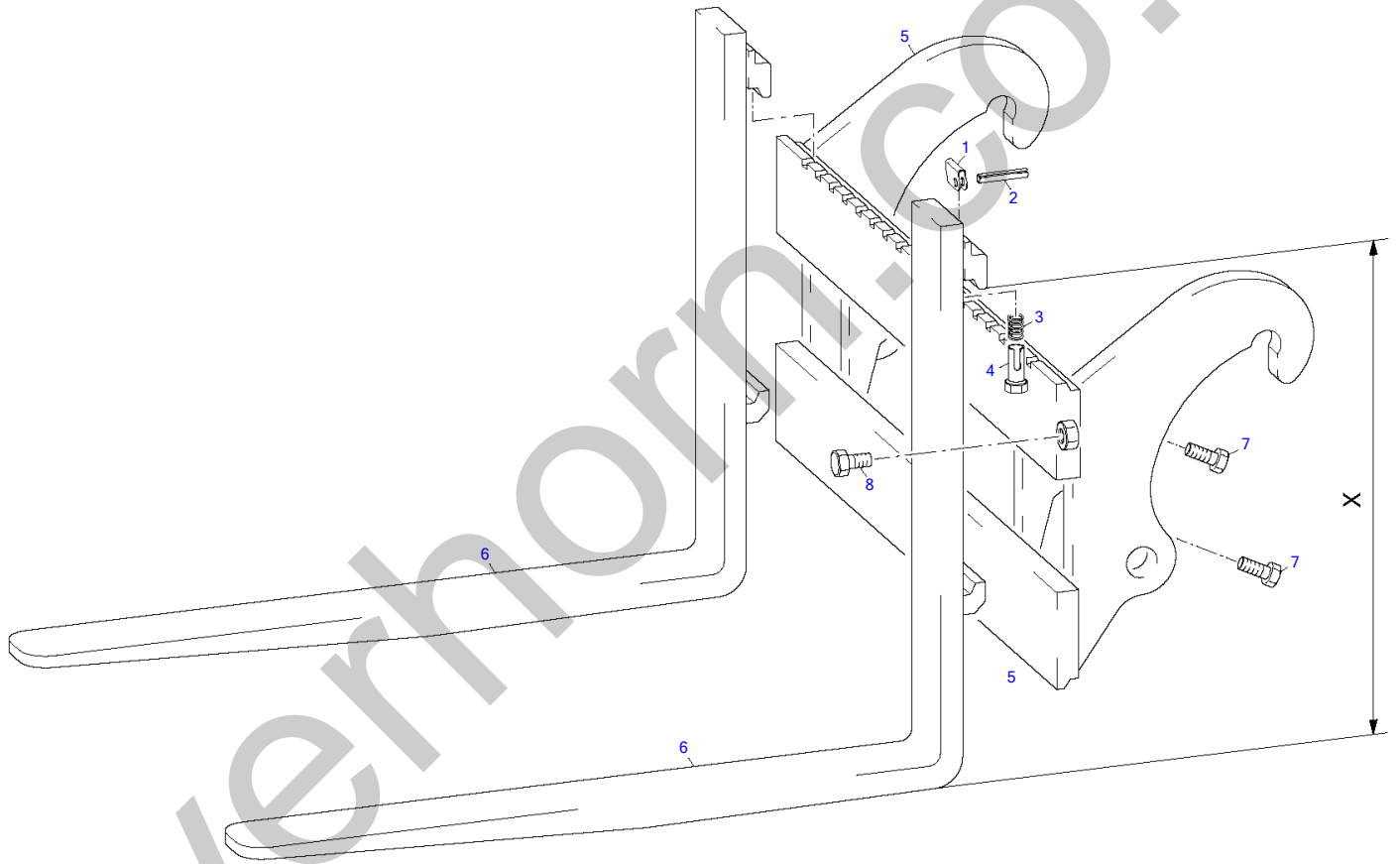
| Item | Part number | Description | Q'ty | Chan. | Serial No. | Serv. | Remarks |
|------|----------------|-----------------------|------|-------|------------|-------|---------|
| | 3930421 | Steering Column Compl | 1 | | | | |
| 1 | 3928494 | Concole | 1 | | | | |
| 3 | 3931637 | Brake Pedal Compl | 1 | | | | |
| 4 | 0845841 | Retaining Spring | 1 | | | | |
| 7 | 0893236 | Hex Head Screw A3C | 2 | | | | |
| 8 | 0893167 | Hex Nut A3C | 2 | | | | |
| 9 | 0899276 | Washer A3C | 1 | | | | |
| 11 | 1398443 | Circlip Tone 400 | 1 | | | | |
| 16 | 3976436 | Bush | 2 | | | | |
| 20 | 3937144 | Pneumatic Spring | 1 | | | | |
| 21 | 3937155 | Release | 1 | | | | |
| 22 | 0847172 | Woodruff Key | 1 | | | | |
| 23 | 3976447 | Pedal Coating | 1 | | | | |

Silverhorn.CO.UK



Hydraulic Quick Release Eq

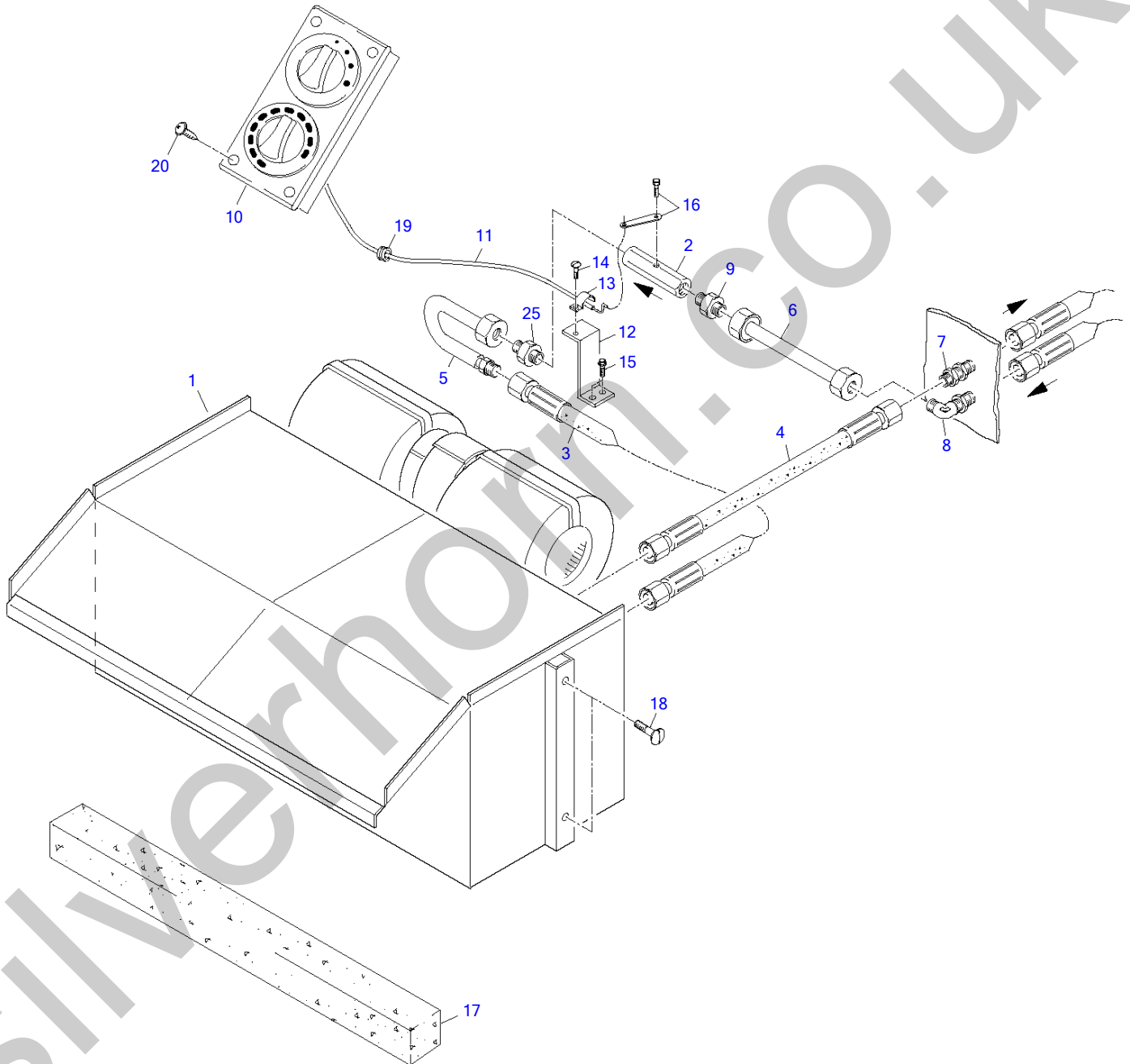
| Item | Part number | Description | Q'ty | Chan. | Serial No. | Serv. | Remarks |
|------|----------------|-------------------------------|------|-------|------------|-------|---------|
| | 8007008 | Hydraulic Quick Release Compl | 1 | | | | |
| 1 | 8006719 | Hydraulic Quick Release | 1 | | | | |
| | 8004487 | Locking Cylinder | 1 | | | | |
| 2 | 8006885 | Lever Compl | 1 | | | | |
| 3 | 3746847 | Bolt | 1 | | | | |
| 4 | 3981751 | Hex Head Cap Screw | 2 | | | | |
| 5 | 0327297 | Hex Nut A3C | 2 | | | | |
| 10 | 2909079 | Washer 1.0 MM | 1 | | | | |
| | 2909091 | Washer 1.2 MM | 1 | | | | |
| | 2909104 | Washer 1.5 MM | 1 | | | | |
| | 2909080 | Washer 2.0 MM | 1 | | | | |
| 12 | 8006971 | Locking Pin | 2 | | | | |
| 13 | 8003068 | Bush | 2 | | | | |
| 14 | 0871014 | Hex Head Screw | 2 | | | | |
| 15 | 1007349 | Hex Nut A3C | 2 | | | | |
| 17 | 8006970 | Plate | 1 | | | | |
| 18 | 8002885 | Plate | 1 | | | | |
| 19 | 8003224 | Gasket | 2 | | | | |
| 20 | 2909137 | Washer | 2 | | | | |
| 21 | 8002033 | Ring | 4 | | | | |
| 22 | 2909137 | Washer 1.0 MM | 1 | | | | |
| | 2909126 | Washer 1.2 MM | 1 | | | | |
| | 2909115 | Washer 1.5 MM | 1 | | | | |
| | 2900434 | Washer 2.0 MM | 1 | | | | |
| 26 | 0324590 | Grease Nipple | 3 | | | | |
| 27 | 8006774 | Split Bush | 1 | | | | |
| 28 | 1673458 | Ring | 2 | | | | |
| 29 | 2985537 | Threaded Pin | 1 | | | | |
| 30 | 0809472 | Ring | 2 | | | | |
| 31 | 0306689 | Split Bush | 2 | | | | |
| 32 | 8003050 | Bush | 2 | | | | |
| 33 | 2961437 | Circlip | 2 | | | | |
| 34 | 8016623 | Hydraulic System | 1 | | | | |
| 40 | 8007233 | Lip Seal | 2 | | | | |
| 41 | 1666675 | Screw Plug A3C | 2 | | | | |
| 42 | 8008026 | Dowel Pin | 2 | | | | |
| 43 | 8008021 | Dowel Pin | 2 | | | | |
| 44 | 3976674 | Circlip Tone 400 | 2 | | | | |
| 45 | 8007197 | Guide Ring | 2 | | | | |
| 46 | 8006428 | Seal Kit | 1 | | | | |
| 48 | 8007195 | Piston Rod Compl | 2 | | | | |
| 49 | 8007209 | Nozzle | 2 | | | | |
| 50 | 1629965 | Screw Plug A3C | 2 | | | | |
| 51 | 8008020 | Dowel Pin | 2 | | | | |



Pallet Forks Compl

| Item | Part number | Description | Q'ty | Chan. | Serial No. | Serv. | Remarks |
|------|----------------|----------------------------|------|-------|------------|-------|---------|
| | 3705791 | Pallet Forks Compl | 1 | | | | |
| | 3705791 | Pallet Forks 1000LG 470 MM | 1 | | | | |
| | 3705804 | Pallet Forks 1250LG 470 MM | 1 | | | | |
| | 3705815 | Pallet Forks 1500LG 470 MM | 1 | | | | |
| | 8000986 | Pallet Forks 1000LG 650 MM | 1 | | | | |
| | 8000987 | Pallet Forks 1250LG 650 MM | 1 | | | | |
| | 8000988 | Pallet Forks 1500LG 650 MM | 1 | | | | |
| 1 | 1008737 | Lock | 2 | | | | |
| 2 | 0324056 | Adaptor Sleeve | 2 | | | | |
| 3 | 0844237 | Pressure Spring | 2 | | | | |
| 4 | 0844226 | Pin | 2 | | | | |
| 5 | 8003265 | Fork Carrier Compl | 1 | | | | |
| 6 | 3738438 | Forktime 1000LG 470 MM | 2 | | | | |
| | 3738518 | Forktime 1250LG 470 MM | 2 | | | | |
| | 3738541 | Forktime 1500LG 470 MM | 2 | | | | |
| | 1002399 | Forktime 1000LG 650 MM | 2 | | | | |
| | 1718009 | Forktime 1250LG 650 MM | 2 | | | | |
| | 1718010 | Forktime 1500LG 650 MM | 2 | | | | |
| 7 | 2986765 | V-Plus Bolt | 2 | | | | |
| 8 | 0398918 | Hex Head Screw A3C | 2 | | | | |

Silverhorn.CO.UK



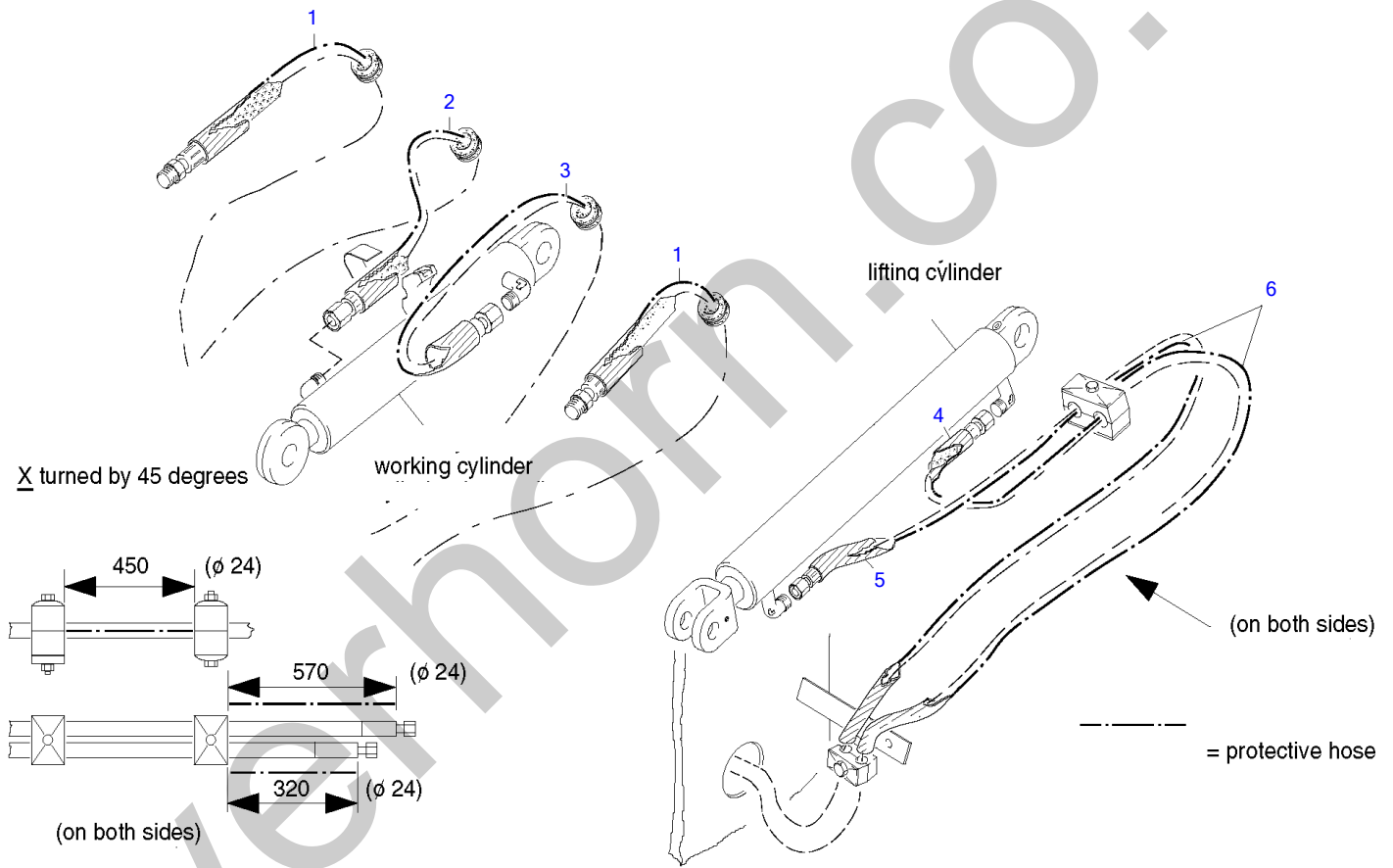
Heating Circuit

| Item | Part number | Description | Q'ty | Chan. | Serial No. | Serv. | Remarks |
|------|----------------|-------------------------|------|-------|------------|-------|---------|
| | 8003053 | Heating Circuit | 1 | | | | |
| 1 | 8004438 | Heating Unit | 1 | | | | |
| | 8005815 | Heat Exchanger | 1 | | | | |
| | 8000484 | Fan | 1 | | | | |
| | 8005994 | Resistance | 1 | | | | |
| 2 | 8004625 | Ball Valve | 1 | | | | |
| 3 | 3932036 | LP Hose 13 X 425 | 1 | | | | |
| 4 | 8006257 | LP Hose 13 X 235 | 1 | | | | |
| 5 | 8004623 | Conduit | 1 | | | | |
| 6 | 8004624 | Conduit | 1 | | | | |
| 7 | 1355986 | Screw Connection A3C | 1 | | | | |
| 8 | 0386210 | Screw Connection A3C | 1 | | | | |
| 9 | 2980576 | Screw Connection A3C | 1 | | | | |
| 10 | 8003163 | Heating Control | 1 | | | | |
| 11 | 8004866 | Wire Puller | 1 | | | | |
| 12 | 8004805 | Angle | 1 | | | | |
| 13 | 0454600 | Clamp | 1 | | | | |
| 14 | 1039369 | Oval Head Screw | 1 | | | | |
| 15 | 3761119 | Serrated Hex Head Screw | 2 | | | | |
| 16 | 8004846 | Lever | 1 | | | | |
| 17 | 0909291 | Profile Rubber 445 MM | 1 | | | | |
| 18 | 3934378 | Oval Head Screw A3R | 4 | | | | |
| 19 | 0448760 | Grommet | 1 | | | | |
| 20 | 2686762 | Oval Head Screw | 4 | | | | |
| 21 | 1385062 | Washer A3C | 1 | | | | |
| 25 | 8006398 | Special Coupling | 1 | | | | |

Silverhorn.CO.UK

Decals and Accessories

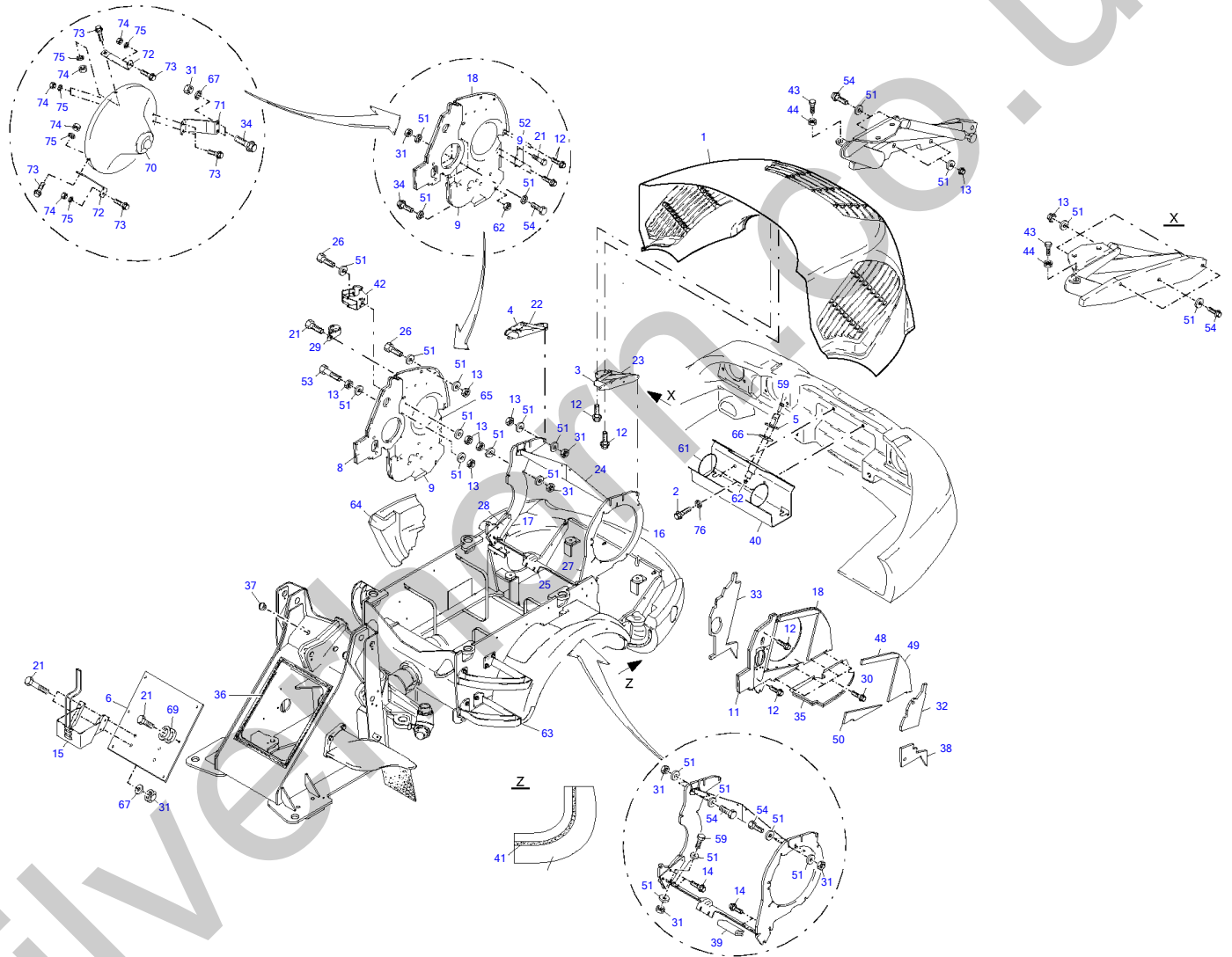
| Item | Part number | Description | Q'ty | Chan. | Serial No. | Serv. | Remarks |
|------|----------------|--------------------------|------|-------|------------|-------|---------|
| | 8016611 | Decals and Accessories | 1 | | | | |
| 1 | 8006865 | Decal | 2 | | | | |
| 2 | 8004895 | Decal | 2 | | | | |
| 3 | 8006864 | Decal | 1 | | | | |
| 5 | 8005341 | Decal | 1 | | | | |
| 7 | 8005466 | Decal | 1 | | | | |
| 9 | 8004896 | Decal | 1 | | | | |
| 10 | 2983808 | Maintenance Air Filter | 1 | | | | |
| 11 | 8004221 | Maintenance Engine | 1 | | | | |
| 12 | 8004894 | Decal | 1 | | | | |
| 13 | 2447967 | Decal | 1 | | | | |
| 14 | 8005340 | Decal | 1 | | | | |
| 18 | 2995200 | Decal | 1 | | | | |
| 19 | 1746661 | Decal | 1 | | | | |
| 20 | 8016844 | Decal | 1 | | | | |
| | 8016845 | Decal | 1 | | | | |
| 21 | 8007503 | Decal Acoustic Power | 1 | | | | |
| | 8007505 | Decal Acoustic Power | 1 | | | | |
| 31 | 8022030 | Decal | 2 | | | | |
| 32 | 8022031 | Decal | 1 | | | | |
| 33 | 8016484 | Decal | 2 | | | | |
| 34 | 8016486 | Decal | 1 | | | | |
| 35 | 8016487 | Decal | 1 | | | | |
| 36 | 8016488 | Decal | 1 | | | | |
| 37 | 8016489 | Decal | 1 | | | | |
| 38 | 8016547 | Decal | 1 | | | | |
| 39 | 8016548 | Decal | 1 | | | | |
| 40 | 8016549 | Decal | 1 | | | | |
| 41 | 8019506 | Decal | 4 | | | | |
| 42 | 8019507 | Decal | 4 | | | | |
| 43 | 8016552 | Decal | 1 | | | | |
| 45 | 8016554 | Decal | 2 | | | | |
| 50 | 8016490 | Decal | 1 | | | | |
| 51 | 8016491 | Decal | 1 | | | | |
| 52 | 8016493 | Decal | 1 | | | | |
| 53 | 8016494 | Decal | 4 | | | | |
| 54 | 8016505 | Decal | 1 | | | | |
| | 8016506 | Decal | 1 | | | | |
| 55 | 8016511 | Decal | 1 | | | | |
| 56 | 8016512 | Decal | 1 | | | | |
| 57 | 8016534 | Decal | 1 | | | | |
| 58 | 8016537 | Decal | 1 | | | | |
| 59 | 8016539 | Decal | 1 | | | | |
| 60 | 8016541 | Decal | 1 | | | | |
| 61 | 8016558 | Decal | 1 | | | | |
| 62 | 8016559 | Decal | 1 | | | | |
| 63 | 8016565 | Decal | 1 | | | | |
| 64 | 8016566 | Decal | 1 | | | | |
| 65 | 8016616 | Decal | 1 | | | | |
| 66 | 8016617 | Decal | 1 | | | | |
| 70 | 8016568 | Decal | 1 | | | | |
| 71 | 8016570 | Decal | 1 | | | | |
| 80 | 2983591 | Handle | 1 | | | | |
| 81 | 0806253 | Wheel Chock | 1 | | | | |
| 82 | 8005871 | Tool Box Compl | 1 | | | | |
| 83 | 3766056 | Support Lifting Cylinder | 1 | | | | |
| 84 | 8010770 | Wheel 405/70 | 4 | | | | |
| | 8010769 | Tire 405/70 | 4 | | | | |
| | 3933537 | Rim | 4 | | | | |
| | 0874324 | Valve | 4 | | | | |



Protective Hoses

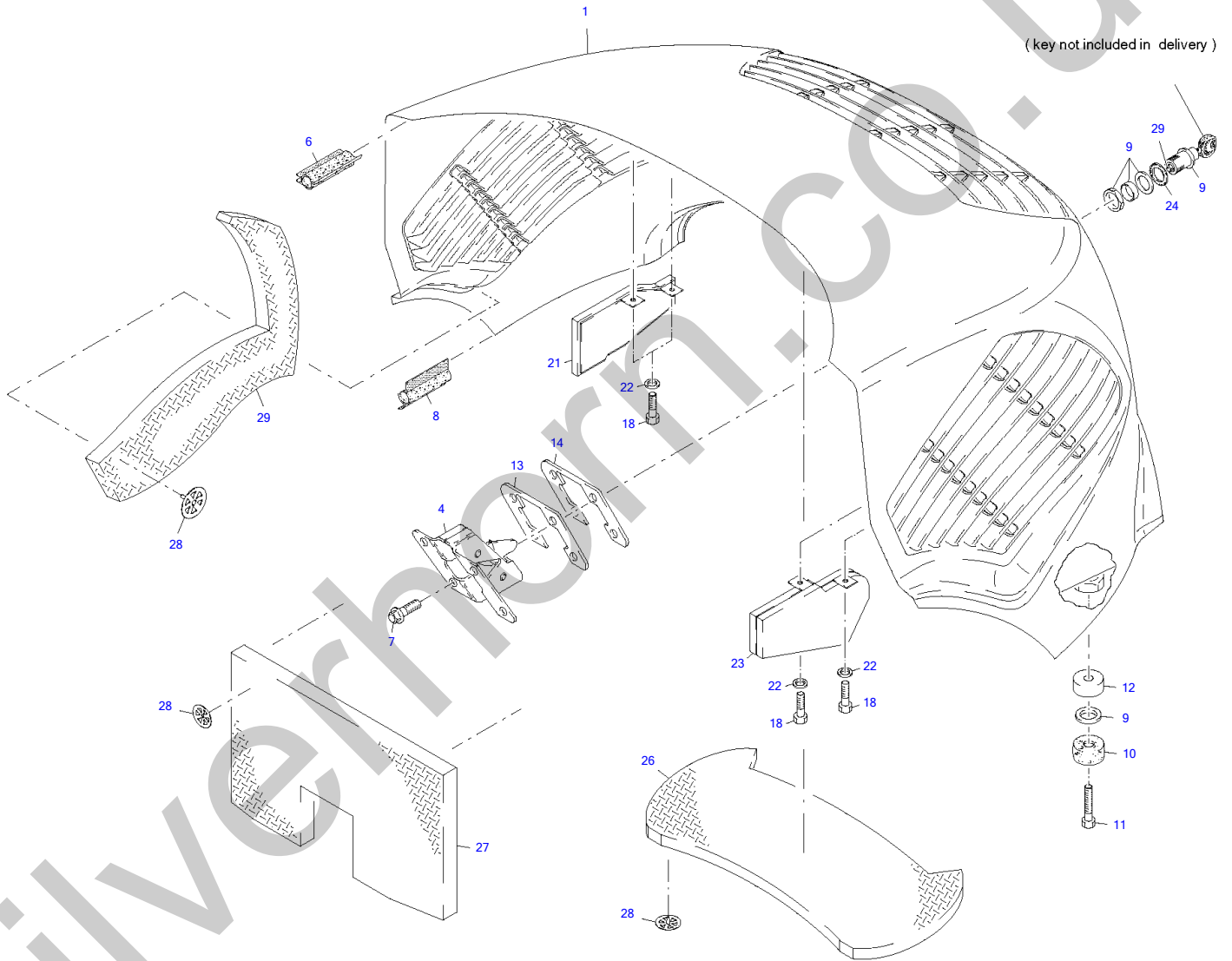
| Item | Part number | Description | Q'ty | Chan. | Serial No. | Serv. | Remarks |
|------|----------------|------------------------------|------|-------|------------|-------|---------|
| | 8016645 | Protective Hoses | 1 | | | | |
| 1 | 0931459 | Flex Insulation Tube 1000 MM | 2 | | | | |
| 2 | 0931459 | Flex Insulation Tube 1050 MM | 1 | | | | |
| 3 | 0931459 | Flex Insulation Tube 1100 MM | 1 | | | | |
| 4 | 2065716 | Flex Insulation Tube 320 MM | 2 | | | | |
| 5 | 2065716 | Flex Insulation Tube 570 MM | 2 | | | | |
| 6 | 2065716 | Flex Insulation Tube 450 MM | 4 | | | | |

Silverhorn.CO.UK



| Item | Part number | Description | Covering Q'ty | Chan. | Serial No. | Serv. | Remarks |
|------|----------------|--------------------------|------------------|-------|------------|-------|---------|
| | 8006828 | Covering | 1 | | | | |
| 1 | 8016810 | Engine Hood | 1 | | | | |
| 2 | 1307104 | Hex Head Screw A3C | 2 | | | | |
| 3 | 3930169 | Left Hinge | 1 | | | | |
| 4 | 3930170 | Right Hinge | 1 | | | | |
| 5 | 3975811 | Clamping Yoke | 1 | | | | |
| 6 | 3940569 | Cover Front | 1 | | | | |
| 8 | 8008866 | Plate Compl | 1 | | | | |
| 9 | 8018605 | Seperating Plate | 1 | | | | |
| 11 | 8008869 | Plate Compl | 1 | | | | |
| 12 | 2449607 | Serrated Hex Head Screw | 7 | | | | |
| 13 | 0893167 | Hex Nut A3C | 9 | | | | |
| 14 | 0336185 | Self-Locking Screw | 4 | | | | |
| 15 | 0806264 | Front Wheel Chock Holder | 1 | | | | |
| 16 | 8008066 | Left Side Plate | 1 | | | | |
| 17 | 8008096 | Right Side Plate | 1 | | | | |
| 18 | 8015245 | Profile Rubber 890 MM | 1 | | | | |
| | 8015245 | Profile Rubber 940 MM | 1 | | | | |
| 21 | 0893236 | Hex Head Screw A3C | 12 | | | | |
| 22 | 3946167 | Pneumatic Spring | 1 | | | | |
| 23 | 3946112 | Pneumatic Spring | 1 | | | | |
| 24 | 8008377 | Holder Compl | 1 | | | | |
| 25 | 8008378 | Angle | 1 | | | | |
| 26 | 0410073 | Hex Head Screw A3C | 2 | | | | |
| 27 | 8008384 | Left Holding Plate | 1 | | | | |
| 28 | 8008385 | Right Holding Plate | 1 | | | | |
| 29 | 2443576 | Clip Norma | 1 | | | | |
| 30 | 2440642 | Serrated Hex Head Screw | 4 | | | | |
| 31 | 0399760 | Hex Nut A3C | 17 | | | | |
| 32 | 8011577 | Insulating Board | 1 | | | | |
| 33 | 8008774 | Insulating Board | 1 | | | | |
| 34 | 8009775 | Serrated Hex Head Screw | 4 | | | | |
| 35 | 8011459 | Plate Compl 300 MM | 1 | | | | |
| | 8011444 | Insulating Board 300 MM | 1 | | | | |
| | 8011445 | Insulating Board | 1 | | | | |
| 36 | 1898686 | Sealing Strip 1900 MM | 1 | | | | |
| 37 | 3935302 | Protecting Cap | 2 | | | | |
| 38 | 8011576 | Insulating Board | 1 | | | | |
| 39 | 0935113 | Profile Rubber 150 MM | 1 | | | | |
| 40 | 3941173 | Plate ZN | 1 | | | | |
| 41 | 0909291 | Profile Rubber 1000 MM | 1 | | | | |
| 42 | 3955919 | Holder | 1 | | | | |
| 43 | 1309399 | Hex Head Screw A3C | 2 | | | | |
| 44 | 0893178 | Hex Nut A3C | 2 | | | | |
| 48 | 8011447 | Insulating Board | 1 | | | | |
| 49 | 8011448 | Insulating Board | 1 | | | | |
| 50 | 8011446 | Insulating Board | 1 | | | | |
| 51 | 2481254 | Serrated Washer A3C | 35 | | | | |
| 52 | 8018659 | Plate | 1 | | | | |
| 53 | 1645705 | Hex Head Screw A3C | 1 | | | | |
| 54 | 1615232 | Hex Head Screw A3C | 12 | | | | |
| 59 | 8009775 | Serrated Hex Head Screw | 2 | | | | |
| 61 | 1784861 | Gasket | 2 | | | | |
| 62 | 1722787 | Serrrated Nut | 3 | | | | |
| 63 | 0909304 | Profile Rubber 2000 MM | 1 | | | | |
| 64 | 0909291 | Profile Rubber 250 MM | 1 | | | | |
| 65 | 0909291 | Profile Rubber 550 MM | 1 | | | | |
| 66 | 3948885 | Plate | 1 | | | | |
| 67 | 0863138 | Washer A3C | 6 | | | | |
| 69 | 8016479 | Locking Washer | 6 | | | | |
| 70 | 8019845 | Suction Hood | 1 | | | | |
| 71 | 8019844 | Plate | 1 | | | | |
| 72 | 8019843 | Plate | 2 | | | | |
| 73 | 2982534 | Serrated Hex Head Screw | 6 | | | | |
| 74 | 0487336 | Hex Nut A3C | 6 | | | | |
| 75 | 0893043 | Washer A3C | 6 | | | | |
| 76 | 2481243 | Serrated Washer A3C | 2 | | | | |

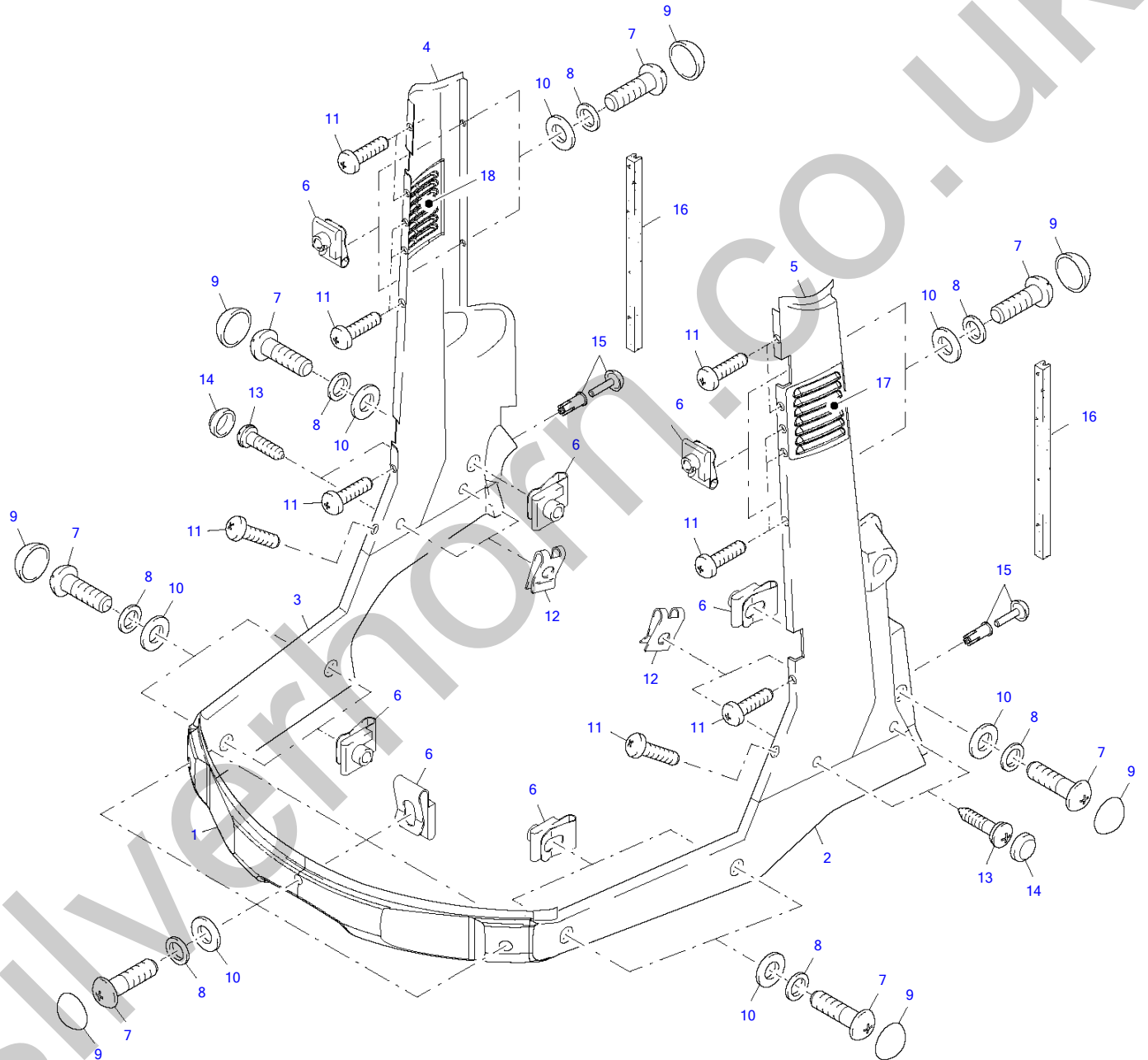
TW80 Book No. 8020870 01.10 S/N E107240
Engine Hood Compl



Engine Hood Compl

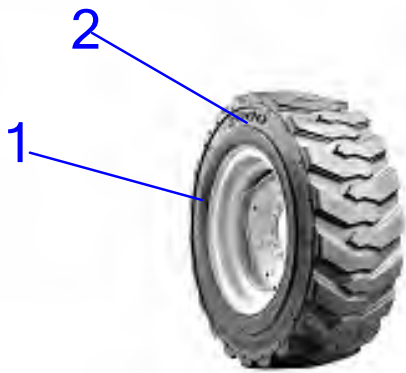
| Item | Part number | Description | Q'ty | Chan. | Serial No. | Serv. | Remarks |
|------|----------------|-------------------------|------|-------|------------|-------|---------|
| | 8016810 | Engine Hood Compl | 1 | | | | |
| 1 | 8016800 | Engine Hood | 1 | | | | |
| 4 | 3975822 | Hood Lock | 1 | | | | |
| 5 | 3975877 | Lock | 1 | | | | |
| | 3643912 | Ignition Key | 1 | | | | |
| 6 | 3930614 | Profile Rubber 1190 MM | 1 | | | | |
| 7 | 8009775 | Serrated Hex Head Screw | 4 | | | | |
| 8 | 8015919 | Profile Rubber 2375 MM | 1 | | | | |
| 9 | 1629567 | Washer A3C | 2 | | | | |
| 10 | 0466364 | Round Buffer | 2 | | | | |
| 11 | 3934390 | Hex Head Screw | 2 | | | | |
| 12 | 3946123 | Spacer Sleeve | 2 | | | | |
| 13 | 3936405 | Plate | 1 | | | | |
| 14 | 8011935 | Plate Compl | 4 | | | | |
| 18 | 3926550 | Hex Head Screw | 4 | | | | |
| 21 | 8009223 | Right Sheet Compl | 1 | | | | |
| | 8008931 | Right Insulating Board | 1 | | | | |
| 22 | 2992014 | Serrated Washer A3C | 4 | | | | |
| 23 | 8009222 | Left Sheet Compl | 1 | | | | |
| | 8008924 | Right Insulating Board | 1 | | | | |
| | 8008925 | Left Insulating Board | 1 | | | | |
| 24 | 3945757 | Washer | 1 | | | | |
| 25 | 2997224 | Serrated Hex Head Screw | 1 | | | | |
| 26 | 8015258 | Insulating Board | 1 | | | | |
| 27 | 8015259 | Insulating Board | 1 | | | | |
| 28 | 1786874 | Clip | 23 | | | | |

Silverhorn.CO.UK



| Item | Part number | Description | Exterior Covering | | | Remarks |
|------|----------------|-----------------------|-------------------|-------|------------|---------|
| | | | Q'ty | Chan. | Serial No. | |
| | 8008759 | Lining | 1 | | | |
| 1 | 8005156 | Front Covering | 1 | | | |
| 2 | 3949648 | Left Covering | 1 | | | |
| 3 | 3949659 | Right Covering | 1 | | | |
| 4 | 8008756 | Right Cover | 1 | | | |
| 5 | 8008757 | Left Cover | 1 | | | |
| 6 | 3976618 | Holder Nut | 13 | | | |
| 7 | 0493447 | Oval Head Screw | 13 | | | |
| 8 | 3976583 | Washer | 13 | | | |
| 9 | 3976594 | Protecting Cap | 13 | | | |
| 10 | 3937224 | Washer | 13 | | | |
| 11 | 3934378 | Oval Head Screw A3R | 14 | | | |
| 12 | 3937382 | Speed Nut | 6 | | | |
| 13 | 3937360 | Screw | 6 | | | |
| 14 | 3937371 | Protecting Cap | 6 | | | |
| 15 | 2919742 | Blind Rivet | 2 | | | |
| 16 | 3976754 | Profile Rubber 600 MM | 2 | | | |
| 17 | 8008266 | Left Lid | 1 | | | |
| 18 | 8008267 | Right Lid | 1 | | | |

Silverhorn.CO.UK



TW WHEELHDFL
TW 6580 TIREHD

Set of 4 assy

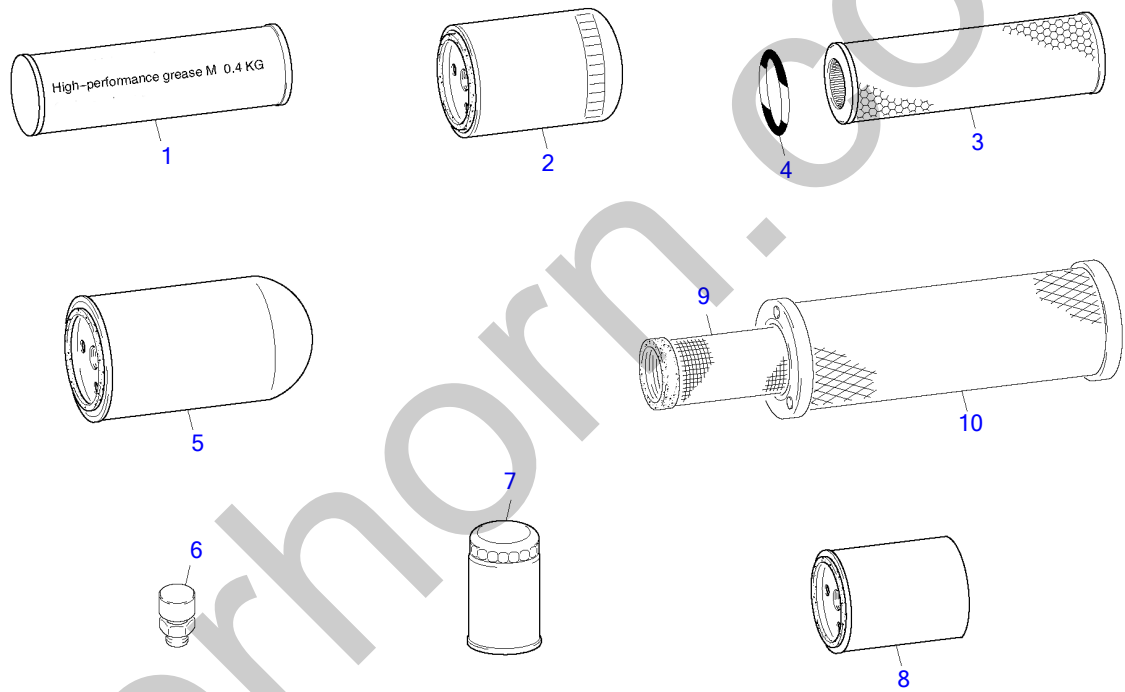


TW 6580 WHEELFLOAT
TW 6580 TIREFLOAT

Set of 4 assy

| Item | Part number | Wheels and Tires | | Q'ty | Chan. | Serial No. | Serv. | Remarks |
|------|-------------------------|--|--|------|-------|------------|-------|---------|
| | | Description | | | | | | |
| 1 | TWWHEELHDFL | WHEEL 19.5X12.25 FOR TW50-60 FLOAT AND TW65-80 HD | | | | | | |
| 2 | TW6580TIREHD | TIRE 15X19.5-12 HD CONSTRUCTION TYPE FOR TW65-80 | | | | | | |
| 3 | TW6580WHEELFLOAT | WHEEL 20X14 FULL WELD FOR FLOATATION TIRE TW65-80 | | | | | | |
| 4 | TW6580TIREFLOAT | TIRE 400/70X20 FLOATATION TYPE FOR TW65-80 | | | | | | |
| 5 | BTW65TIREF | Floatation Tire Assy TW65 / TW80 (4xTire Assy) | | | | | | |
| 6 | BTW65TIREHD | Heavy Duty Construction Tire Assy TW65 / TW80(4xTire Asy) | | | | | | |

Silverhorn.CO.UK



Maintenance Filter Kits

| Item | Part number | Description | Q'ty | Chan. | Serial No. | Serv. | Remarks |
|------|-----------------|----------------------------|------|-------|------------|-------|---------|
| | 8018988 | 50 HOUR FILTER KIT TW80 | 1 | | | | |
| 1 | 0346905 | * GREASE CARTRIDGE | 5 | | | | |
| 2 | 3960201 | * OIL FILTER | 1 | | | | |
| 3 | 8012138 | * RETURN FILTER | 1 | | | | |
| 4 | 2918263 | * O-RING | 1 | | | | |
| 5 | 8018979 | * OIL PRESSURE PUMP FILTER | 2 | | | | |
| 6 | 3929440 | * BREATHER CAP | 1 | | | | |
| 7 | 3968889 | * AIR VENT | 3 | | | | |
| 8 | 2610831 | * FUEL FILTER | 1 | | | | |
| | 80189991 | 500 HOUR FILTER KIT TW80 | 1 | | | | |
| 1 | 0346905 | * GREASE CARTRIDGE | 5 | | | | |
| 2 | 3960201 | * OIL FILTER | 1 | | | | |
| 3 | 8012138 | * RETURN FILTER | 1 | | | | |
| 4 | 2918263 | * O-RING | 1 | | | | |
| 5 | 8018979 | * OIL PRESSURE PUMP FILTER | 1 | | | | |
| 6 | 3929440 | * BREATHER CAP | 1 | | | | |
| 7 | 3968889 | * AIR VENT | 3 | | | | |
| 8 | 2610831 | * FUEL FILTER | 1 | | | | |
| 9 | 2981113 | * OUTER AIR FILTER | 1 | | | | |
| 10 | 2981124 | * INNER AIR FILTER | 1 | | | | |
| | TW8029A | | | | | | |

Silverhorn.CO.UK